

LUB1AF19W



---

**EN** Freezer  
**FR** Congélateur  
**DE** Gefriergerät

---

User Manual 2  
Notice d'utilisation 18  
Benutzerinformation 36

## CONTENTS

1. SAFETY INFORMATION.....	2
2. SAFETY INSTRUCTIONS.....	4
3. INSTALLATION.....	6
4. CONTROL PANEL.....	9
5. DAILY USE.....	10
6. HINTS AND TIPS.....	10
7. CARE AND CLEANING.....	12
8. TROUBLESHOOTING.....	13
9. NOISES.....	16
10. TECHNICAL DATA.....	16
11. INFORMATION FOR TEST INSTITUTES.....	17

## WE'RE THINKING OF YOU

Thank you for purchasing an Electrolux appliance. You've chosen a product that brings with it decades of professional experience and innovation. Ingenious and stylish, it has been designed with you in mind. So whenever you use it, you can be safe in the knowledge that you'll get great results every time.

Welcome to Electrolux.

**Visit our website to:**



Get usage advice, brochures, trouble shooter, service and repair information:  
**[www.electrolux.com/support](http://www.electrolux.com/support)**



Register your product for better service:  
**[www.registerelectrolux.com](http://www.registerelectrolux.com)**



Buy Accessories, Consumables and Original spare parts for your appliance:  
**[www.electrolux.com/shop](http://www.electrolux.com/shop)**

## CUSTOMER CARE AND SERVICE

Always use original spare parts.

When contacting our Authorised Service Centre, ensure that you have the following data available: Model, PNC, Serial Number.

The information can be found on the rating plate.

 Warning / Caution-Safety information

 General information and tips

 Environmental information

Subject to change without notice.

### 1. SAFETY INFORMATION

Before the installation and use of the appliance, carefully read the supplied instructions. The manufacturer is not responsible for any injuries or damage that are the result

of incorrect installation or usage. Always keep the instructions in a safe and accessible location for future reference.

## 1.1 Children and vulnerable people safety

- This appliance can be used by children aged from 8 years and above and persons with reduced physical, sensory or mental capabilities or lack of experience and knowledge if they have been given supervision or instruction concerning the use of the appliance in a safe way and understand the hazards involved.
- Children aged from 3 to 8 years are allowed to load and unload the appliance provided that they have been properly instructed.
- This appliance may be used by persons with very extensive and complex disabilities provided that they have been properly instructed.
- Children of less than 3 years of age should be kept away from the appliance unless continuously supervised.
- Do not let children play with the appliance.
- Children shall not carry out cleaning and user maintenance of the appliance without supervision.
- Keep all packaging away from children and dispose of it appropriately.

## 1.2 General Safety

- This appliance is intended to be used in household and similar applications such as:
  - Farm houses; staff kitchen areas in shops, offices and other working environments;
  - By clients in hotels, motels, bed and breakfast and other residential type environments.
- To avoid contamination of food respect the following instructions:
  - do not open the door for long periods;
  - clean regularly surfaces that can come in contact with food and accessible drainage systems;

- **WARNING:** Keep ventilation openings, in the appliance enclosure or in the built-in structure, clear of obstruction.
- **WARNING:** Do not use mechanical devices or other means to accelerate the defrosting process, other than those recommended by the manufacturer.
- **WARNING:** Do not damage the refrigerant circuit.
- **WARNING:** Do not use electrical appliances inside the food storage compartments of the appliance, unless they are of the type recommended by the manufacturer.
- Do not use water spray and steam to clean the appliance.
- Clean the appliance with a moist soft cloth. Only use neutral detergents. Do not use abrasive products, abrasive cleaning pads, solvents or metal objects.
- When the appliance is empty for long period, switch it off, defrost, clean, dry and leave the door open to prevent mould from developing within the appliance.
- Do not store explosive substances such as aerosol cans with a flammable propellant in this appliance.
- If the supply cord is damaged, it must be replaced by the manufacturer, its Authorised Service Centre or similarly qualified persons in order to avoid a hazard.

## 2. SAFETY INSTRUCTIONS

### 2.1 Installation



#### **WARNING!**

Only a qualified person must install this appliance.

- Remove all the packaging.
- Do not install or use a damaged appliance.
- Follow the installation instructions supplied with the appliance.
- Always take care when moving the appliance as it is heavy. Always use safety gloves and enclosed footwear.
- Make sure the air can circulate around the appliance.
- At first installation or after reversing the door wait at least 4 hours before connecting the appliance to the power supply. This is to allow the oil to flow back in the compressor.
- Before carrying out any operations on the appliance (e.g. reversing the door), remove the plug from the power socket.
- Do not install the appliance close to radiators or cookers, ovens or hobs.
- Do not expose the appliance to the rain.
- Do not install the appliance where there is direct sunlight.
- Do not install this appliance in areas that are too humid or too cold.

- When you move the appliance, lift it by the front edge to avoid scratching the floor.

## 2.2 Electrical connection



**WARNING!**  
Risk of fire and electric shock.



**WARNING!**  
When positioning the appliance, ensure the supply cord is not trapped or damaged.



**WARNING!**  
Do not use multi-plug adapters and extension cables.

- The appliance must be earthed.
- Make sure that the parameters on the rating plate are compatible with the electrical ratings of the mains power supply.
- Always use a correctly installed shockproof socket.
- Make sure not to cause damage to the electrical components (e.g. mains plug, mains cable, compressor). Contact the Authorised Service Centre or an electrician to change the electrical components.
- The mains cable must stay below the level of the mains plug.
- Connect the mains plug to the mains socket only at the end of the installation. Make sure that there is access to the mains plug after the installation.
- Do not pull the mains cable to disconnect the appliance. Always pull the mains plug.

## 2.3 Use



**WARNING!**  
Risk of injury, burns, electric shock or fire.



The appliance contains flammable gas, isobutane (R600a), a natural gas with a high level of environmental compatibility. Be careful not to cause

damage to the refrigerant circuit containing isobutane.

- Do not change the specification of this appliance.
- Do not put electrical appliances (e.g. ice cream makers) in the appliance unless they are stated applicable by the manufacturer.
- If damage occurs to the refrigerant circuit, make sure that there are no flames and sources of ignition in the room. Ventilate the room.
- Do not let hot items to touch the plastic parts of the appliance.
- Do not put soft drinks in the freezer compartment. This will create pressure on the drink container.
- Do not store flammable gas and liquid in the appliance.
- Do not put flammable products or items that are wet with flammable products in, near or on the appliance.
- Do not touch the compressor or the condenser. They are hot.
- Do not remove or touch items from the freezer compartment if your hands are wet or damp.
- Do not freeze again food that has been thawed.
- Follow the storage instructions on the packaging of frozen food.
- Wrap the food in any food contact material before putting it in the freezer compartment.

## 2.4 Internal lighting



**WARNING!**  
Risk of electric shock.

- Concerning the lamp(s) inside this product and spare part lamps sold separately: These lamps are intended to withstand extreme physical conditions in household appliances, such as temperature, vibration, humidity, or are intended to signal information about the operational status of the appliance. They are not intended to be used in other applications and are not suitable for household room illumination.

## 2.5 Care and cleaning



### **WARNING!**

Risk of injury or damage to the appliance.

- Before maintenance, deactivate the appliance and disconnect the mains plug from the mains socket.
- This appliance contains hydrocarbons in the cooling unit. Only a qualified person must do the maintenance and the recharging of the unit.
- Regularly examine the drain of the appliance and if necessary, clean it. If the drain is blocked, defrosted water collects in the bottom of the appliance.

## 2.6 Service

- To repair the appliance contact the Authorised Service Centre. Use original spare parts only.
- Please note that self-repair or non-professional repair can have safety consequences and might void the guarantee.
- The following spare parts will be available for 7 years after the model has been discontinued: thermostats, temperature sensors, printed circuit boards, light sources, door handles,

door hinges, trays and baskets.

Please note that some of these spare parts are only available to professional repairers, and that not all spare parts are relevant for all models.

- Door gaskets will be available for 10 years after the model has been discontinued.

## 2.7 Disposal



### **WARNING!**

Risk of injury or suffocation.

- Disconnect the appliance from the mains supply.
- Cut off the mains cable and discard it.
- Remove the door to prevent children and pets to be closed inside of the appliance.
- The refrigerant circuit and the insulation materials of this appliance are ozone-friendly.
- The insulation foam contains flammable gas. Contact your municipal authority for information on how to discard the appliance correctly.
- Do not cause damage to the part of the cooling unit that is near the heat exchanger.

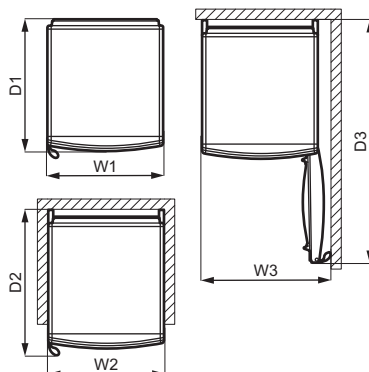
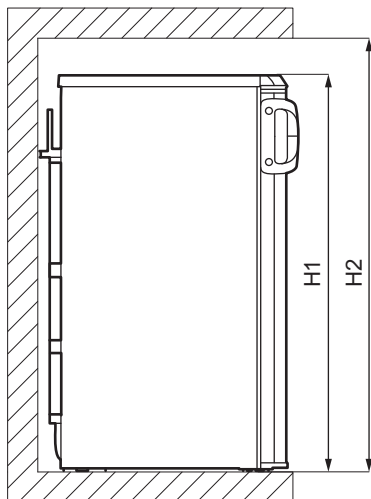
# 3. INSTALLATION



### **WARNING!**

Refer to Safety chapters.

### 3.1 Dimensions



Overall dimensions <sup>1</sup>		
H1	mm	1250
W1	mm	545
D1	mm	630

<sup>1</sup> the height, width and depth of the appliance without the handle and feet

Space required in use <sup>2</sup>		
H2	mm	1350
W2	mm	547
D2	mm	670

<sup>2</sup> the height, width and depth of the appliance including the handle, plus the space necessary for free circulation of the cooling air

Overall space required in use <sup>3</sup>		
H2	mm	1350
W3	mm	605
D3	mm	1130

<sup>3</sup> the height, width and depth of the appliance including the handle, plus the space necessary for free circulation of the cooling air, plus the space necessary to allow door opening to the minimum angle permitting removal of all internal equipment

### 3.2 Location



Refer to the installation instructions for the installation.

This appliance is not intended to be used as a built-in appliance.

In case of different installation from freestanding respecting space required in use dimensions, the appliance will function correctly but energy consumption might increase slightly.

To ensure appliance's best functionality, you should not install the appliance in the nearby of the heat source (oven, stoves, radiators, cookers or hobs) or in a place with direct sunlight. Make sure that air can circulate freely around the back of the cabinet.

This appliance should be installed in a dry, well ventilated indoor position.

To ensure best performance, if the appliance is positioned below an overhanging wall unit, the minimum distance between the top of the cabinet shall be maintained. Ideally, however, the appliance should not be positioned below overhanging wall units. One or more adjustable feet at the base of the cabinet ensure that the appliance stands level.



#### CAUTION!

If you position the appliance against the wall, use back spacers provided or keep the minimum distance indicated in the installation instructions.



#### CAUTION!

If you install the appliance next to a wall, refer to the installation instructions to understand the minimum distance between the wall and the side of the appliance where door hinges are to provide enough space to open the door when the internal equipment is removed (e.g. when cleaning).

This appliance is intended to be used at ambient temperature ranging from 10°C to 43°C.



The correct operation of the appliance can only be guaranteed within the specified temperature range.



If you have any doubts regarding where to install the appliance, please turn to the vendor, to our customer service or to the nearest Authorised Service Centre.



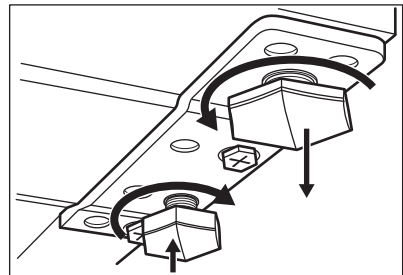
It must be possible to disconnect the appliance from the mains power supply. The plug must therefore be easily accessible after installation.

### 3.3 Electrical connection

- Before plugging in, ensure that the voltage and frequency shown on the rating plate correspond to your domestic power supply.
- The appliance must be earthed. The power supply cable plug is provided with a contact for this purpose. If the domestic power supply socket is not earthed, connect the appliance to a separate earth in compliance with current regulations, consulting a qualified electrician.
- The manufacturer declines all responsibility if the above safety precautions are not observed.
- This appliance complies with the E.E.C. Directives.

### 3.4 Levelling

When placing the appliance ensure that it stands level. This can be achieved by two adjustable feet at the bottom in front.



If you place the appliance on a stand:

1. Unscrew the foot of the door hinge.
2. Screw the spare foot, found in the bag with the egg tray, into the cabinet.

### 3.5 Door reversibility

Please refer to the separate document with instructions on installation and door reversal.

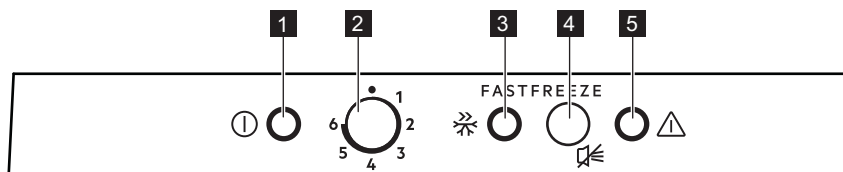


#### CAUTION!

At every stage of reversing the door protect the floor from scratching with a durable material.



## 4. CONTROL PANEL



- |  |  |
|--|--|
| <p><b>1</b> Power indicator light</p> <p><b>2</b> Temperature regulator and On/Off switch</p> <p><b>3</b> FastFreeze light</p> | <p><b>4</b> FastFreeze switch and alarm reset switch</p> <p><b>5</b> Alarm light</p> |
|--|--|

### 4.1 Switching on

1. Insert the plug into the wall socket.
2. Turn the Temperature regulator clockwise to a medium setting. If the temperature inside the appliance is too high, the Alarm light will blink and the acoustic alarm will turn on.
3. Push the FastFreeze switch and the acoustic alarm will turn off. The Alarm light will blink until the internal temperature has reached a level required for the safe conservation of frozen food.

### 4.2 Switching off

1. Turn the Temperature regulator to the "O" position. The Power indicator light will switch off.
2. Remove the plug from the wall socket.

### 4.3 Temperature regulation

The temperature is regulated automatically. However, you can set a temperature inside the appliance yourself.

Choose the setting keeping in mind that the temperature inside the appliance depends on:

- room temperature,
- frequency of opening the door,
- quantity of food stored,
- appliance location.

A medium setting is generally the most suitable one.

To operate the appliance:

1. Turn the temperature regulator clockwise to obtain a lower temperature inside the appliance.
2. Turn the temperature regulator counterclockwise to obtain a higher temperature inside the appliance.

### 4.4 FastFreeze function

The FastFreeze is used to perform pre-freezing and fast freezing in sequence of Freezer compartment. This function accelerates the freezing of fresh food and, at the same time, protects foodstuffs already stored from undesirable warming.

- i** To freeze fresh food activate the FastFreeze function at least 24 hours before placing the food to complete pre-freezing.

To switch on the function:

Press the FastFreeze button for 2-3 seconds to activate the FastFreeze function. The FastFreeze light will switch on.

- i** This function stops automatically after 52 hours. It is possible to deactivate the function at any time by pressing the FastFreeze switch for 2-3 seconds.

## 4.5 High temperature alarm

When there is a temperature increase in the freezer compartment (e.g. due to a power failure) the Alarm light is blinking and sound is on.

The sound can be switched off at any time by pressing the Alarm reset switch.

When normal conditions are restored the Alarm light stops blinking and the sound turns off automatically.

# 5. DAILY USE

## 5.1 Freezing fresh food

The freezer compartment is suitable for freezing fresh food and storing frozen and deep-frozen food for a long time.

To freeze fresh food activate the FastFreeze function at least 24 hours before placing the food to be frozen in the freezer compartment.

The maximum amount of food that can be frozen without adding other fresh food during 24 hours is specified on the rating plate (a label located inside the appliance).

When the freezing process is complete, the appliance automatically returns to the previous temperature setting (see "FastFreeze Function").

## 5.2 Storage of frozen food

When activating an appliance for the first time or after a period out of use, before putting the products in the compartment let the appliance run at least 3 hours with the FastFreeze function switched on.

Keep the food no closer than 15 mm from the door.



### CAUTION!

In the event of accidental defrosting, for example due to a power failure, if the power has been off for longer than the value shown on rating plate under "rising time", the defrosted food must be consumed quickly or cooked immediately then cooled and then re-frozen. Refer to "High temperature alarm".

## 5.3 Thawing

Deep-frozen or frozen food, prior to being consumed, can be thawed in the refrigerator or inside a plastic bag under cold water.

This operation depends on the time available and on the type of food. Small pieces may even be cooked still frozen.

# 6. HINTS AND TIPS

## 6.1 Hints for energy saving

- The internal configuration of the appliance is the one that ensures the most efficient use of energy.
- Do not open the door frequently or leave it open longer than necessary.
- The colder the temperature setting, the higher the energy consumption.
- Ensure a good ventilation. Do not cover the ventilation grilles or holes.

## 6.2 Hints for freezing

- Activate FastFreeze function at least 24 hours before placing the food inside the freezer compartment.
- Before freezing wrap and seal fresh food in: aluminium foil, plastic film or bags, airtight containers with lid.
- For more efficient freezing and thawing divide food into small portions.
- It is recommended to put labels and dates on all your frozen food. This will help to identify foods and to know

when they should be used before their deterioration.

- The food should be fresh when being frozen to preserve good quality. Especially fruits and vegetables should be frozen after the harvest to preserve all of their nutrients.
- Do not freeze bottles or cans with liquids, in particular drinks containing carbon dioxide - they may explode during freezing.
- Do not put hot food in the freezer compartment. Cool it down at room temperature before placing it inside the compartment.
- To avoid increase in temperature of already frozen food, do not place fresh unfrozen food directly next to it. Place food at room temperature in the part of the freezer compartment where there is no frozen food.
- Do not eat ice cubes, water ices or ice lollies immediately after taking them out of the freezer. Risk of frostbites.
- Do not re-freeze defrosted food. If the food has defrosted, cook it, cool it down and then freeze it.

### 6.3 Hints for storage of frozen food

- Freezer compartment is the one marked with ❄️ ❄️ ❄️.
- The medium temperature setting ensures good preservation of frozen food products.

### 6.5 Shelf life

Type of food	Shelf life (months)
Bread	3
Fruits (except citrus)	6 - 12
Vegetables	8 - 10
Leftovers without meat	1 - 2
<b>Dairy food:</b>	
Butter	6 - 9
Soft cheese (e.g. mozzarella)	3 - 4
Hard cheese (e.g. parmesan, cheddar)	6
<b>Seafood:</b>	

Higher temperature setting inside the appliance may lead to shorter shelf life.

- The whole freezer compartment is suitable for storage of frozen food products.
- Leave enough space around the food to allow air to circulate freely.
- For adequate storage refer to food packaging label to see the shelf life of food.
- It is important to wrap the food in such a way that prevents water, humidity or condensation from getting inside.

### 6.4 Shopping tips

After grocery shopping:

- Ensure that the packaging is not damaged - the food could be deteriorated. If the package is swollen or wet, it might have not been stored in the optimal conditions and defrosting may have already started.
- To limit the defrosting process buy frozen goods at the end of your grocery shopping and transport them in a thermal and insulated cool bag.
- Place the frozen foods immediately in the freezer after coming back from the shop.
- If food has defrosted even partially, do not re-freeze it. Consume it as soon as possible.
- Respect the expiry date and the storage information on the package.

Type of food	Shelf life (months)
Fatty fish (e.g. salmon, mackerel)	2 - 3
Lean fish (e.g. cod, flounder)	4 - 6
Shrimps	12
Shucked clams and mussels	3 - 4
Cooked fish	1 - 2
<b>Meat:</b>	
Poultry	9 - 12
Beef	6 - 12
Pork	4 - 6
Lamb	6 - 9
Sausage	1 - 2
Ham	1 - 2
Leftovers with meat	2 - 3

## 7. CARE AND CLEANING



**WARNING!**  
Refer to Safety chapters.

### 7.1 Cleaning the interior

Before using the appliance for the first time, the interior and all internal accessories should be washed with lukewarm water and some neutral soap to remove the typical smell of a brand-new product, then dried thoroughly.



**CAUTION!**  
Do not use detergents, abrasive powders, chlorine or oil-based cleaners as they will damage the finish.



**CAUTION!**  
The accessories and parts of the appliance are not suitable for washing in a dishwasher.

### 7.2 Periodic cleaning

The equipment has to be cleaned regularly:

1. Clean the inside and accessories with lukewarm water and some neutral soap.
2. Regularly check the door seals and wipe them clean to ensure they are clean and free from debris.
3. Rinse and dry thoroughly.

### 7.3 Defrosting of the freezer



**CAUTION!**  
Never use sharp metal tools to scrape off frost from the evaporator as you could damage it.  
Do not use a mechanical device or any artificial means to speed up the thawing process other than those recommended by the manufacturer.



About 12 hours prior to defrosting set a lower temperature in order to build up sufficient chill reserve in case of any interruption in operation.

A certain amount of frost will always form on the freezer shelves and around the top compartment.

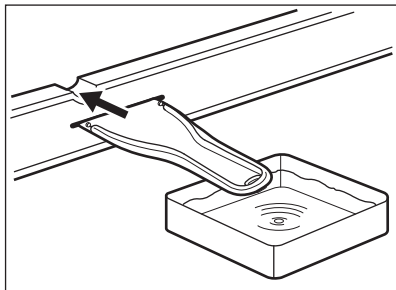
Defrost the freezer when the frost layer reaches a thickness of about 3-5 mm.

1. Switch off the appliance or pull out electrical plug from the wall socket.
2. Remove any stored food and put it in a cool place.

**CAUTION!**

A temperature rise of the frozen food packs during defrosting may shorten their safe storage life. Do not touch frozen goods with wet hands. Hands can freeze to the goods.

3. Leave the door open. Protect the floor from the defrosting water e.g. with a cloth or a flat vessel.
4. In order to speed up the defrosting process, place a pot of warm water in the freezer compartment. In addition, remove pieces of ice that break away before defrosting is complete.
5. Insert the plastic scraper in the appropriate seating at the bottom centre, placing a basin underneath to collect the defrost water.



6. When defrosting is complete, dry the interior thoroughly.
7. Switch on the appliance and close the door.
8. Set the temperature regulator to obtain the maximum coldness and run the appliance for at least 3 hours using this setting.

Only after this time put the food back into the freezer compartment.

## 7.4 Period of non-operation

When the appliance is not in use for long period, take the following precautions:

1. Disconnect the appliance from electricity supply.
2. Remove all food.
3. Defrost the appliance.
4. Clean the appliance and all accessories.
5. Leave the door open to prevent unpleasant smells.

## 8. TROUBLESHOOTING

**WARNING!**

Refer to Safety chapters.

### 8.1 What to do if...

Problem	Possible cause	Solution
The appliance does not operate.	The appliance is switched off.	Switch on the appliance.
	The mains plug is not connected to the mains socket correctly.	Connect the mains plug to the mains socket correctly.
	There is no voltage in the mains socket.	Connect a different electrical appliance to the mains socket. Contact a qualified electrician.

<b>Problem</b>	<b>Possible cause</b>	<b>Solution</b>
The appliance is noisy.	The appliance is not supported properly.	Check if the appliance stands stable.
Acoustic or visual alarm is on.	The cabinet has been recently switched on.	Refer to "Door Open Alarm" or "High Temperature Alarm".
	The temperature in the appliance is too high.	Refer to "Door Open Alarm" or "High Temperature Alarm".
The compressor operates continually.	Temperature is set incorrectly.	Refer to "Control Panel" chapter.
	Many food products were put in at the same time.	Wait a few hours and then check the temperature again.
	The room temperature is too high.	Refer to "Installation" chapter.
	Food products placed in the appliance were too warm.	Allow food products to cool to room temperature before storing.
	The door is not closed correctly.	Refer to "Closing the door" section.
	The FastFreeze function is switched on.	Refer to "FastFreeze function" section.
The compressor does not start immediately after pressing the "FastFreeze", or after changing the temperature.	The compressor starts after a period of time.	This is normal, no error has occurred.
Door is misaligned or interferes with ventilation grill.	The appliance is not levelled.	Refer to installation instructions.
Door does not open easily.	You attempted to re-open the door immediately after closing.	Wait a few seconds between closing and re-opening of the door.
There is too much frost and ice.	The door is not closed correctly.	Refer to "Closing the door" section.
	The gasket is deformed or dirty.	Refer to "Closing the door" section.
	Food products are not wrapped properly.	Wrap the food products better.
	Temperature is set incorrectly.	Refer to "Control Panel" chapter.

<b>Problem</b>	<b>Possible cause</b>	<b>Solution</b>
	Appliance is fully loaded and is set to the lowest temperature.	Set a higher temperature. Refer to "Control Panel" chapter.
	Temperature set in the appliance is too low and the ambient temperature is too high.	Set a higher temperature. Refer to "Control Panel" chapter.
Water flows on the floor.	The melting water outlet is not connected to the evaporative tray above the compressor.	Attach the melting water outlet to the evaporative tray.
Temperature cannot be set.	The "FastFreeze function" is switched on.	Switch off "FastFreeze function" manually, or wait until the function deactivates automatically to set the temperature. Refer to "FastFreeze function" section.
The temperature in the appliance is too low/too high.	The temperature is not set correctly.	Set a higher/lower temperature.
	The door is not closed correctly.	Refer to "Closing the door" section.
	The food products' temperature is too high.	Let the food products temperature decrease to room temperature before storage.
	Many food products are stored at the same time.	Store less food products at the same time.
	The thickness of the frost is greater than 4-5 mm.	Defrost the appliance.
	The door has been opened often.	Open the door only if necessary.
	The FastFreeze function is switched on.	Refer to "FastFreeze function" section.
	There is no cold air circulation in the appliance.	Make sure that there is cold air circulation in the appliance. Refer to "Hints and Tips" chapter.
Power indicator light flashes.	An error has occurred in measuring the temperature.	Contact a qualified electrician or the nearest Authorized Service Centre.



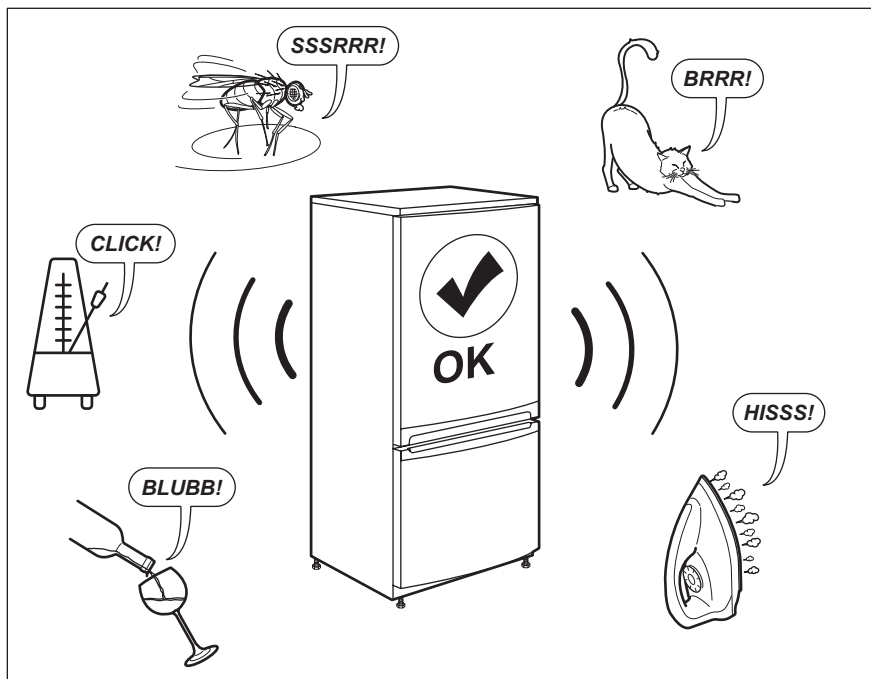
If the advice does not lead to the desired result, call the nearest Authorized Service Centre.

2. If necessary, adjust the door. Refer to installation instructions.
3. If necessary, replace the defective door gaskets. Contact the Authorised Service Centre.

## 8.2 Closing the door

1. Clean the door gaskets.

## 9. NOISES



## 10. TECHNICAL DATA

The technical information is situated in the rating plate on the internal side of the appliance and on the energy label.

The QR code on the energy label supplied with the appliance provides a web link to the information related to the performance of the appliance in the EU EPREL database. Keep the energy label for reference together with the user manual and all other documents provided with this appliance.

It is also possible to find the same information in EPREL using the link <https://eprel.ec.europa.eu> and the model name and product number that you find on the rating plate of the appliance.

See the link [www.theenergylabel.eu](http://www.theenergylabel.eu) for detailed information about the energy label.





## 11. INFORMATION FOR TEST INSTITUTES

Installation and preparation of the appliance for any EcoDesign verification shall be compliant with EN 62552. Ventilation requirements, recess dimensions and minimum rear

clearances shall be as stated in this User Manual at Chapter 3. Please contact the manufacturer for any other further information, including loading plans.

## 12. ENVIRONMENTAL CONCERNS

Recycle materials with the symbol . Put the packaging in relevant containers to recycle it. Help protect the environment and human health by recycling waste of electrical and electronic appliances. Do not dispose of

appliances marked with the symbol  with the household waste. Return the product to your local recycling facility or contact your municipal office.

## TABLE DES MATIÈRES

1. INFORMATIONS DE SÉCURITÉ.....	18
2. CONSIGNES DE SÉCURITÉ.....	21
3. INSTALLATION.....	23
4. BANDEAU DE COMMANDE.....	25
5. UTILISATION QUOTIDIENNE.....	26
6. CONSEILS.....	27
7. ENTRETIEN ET NETTOYAGE.....	29
8. DÉPANNAGE.....	31
9. BRUITS.....	34
10. DONNÉES TECHNIQUES.....	34
11. INFORMATIONS POUR LES INSTITUTS DE TEST.....	34

## NOUS PENSONS À VOUS

Merci d'avoir choisi un appareil Electrolux. Vous avez choisi un produit qui bénéficie de décennies d'expérience professionnelle et d'innovation. Ingénieux et élégant, il a été pensé pour vous. C'est la raison pour laquelle vous pouvez avoir la certitude d'obtenir d'excellents résultats à chaque utilisation.

Bienvenue chez Electrolux

**Consultez notre site pour :**



Obtenir des conseils d'utilisation, des brochures, un dépanneur, des informations sur le service et les réparations :

**[www.electrolux.com/support](http://www.electrolux.com/support)**



Enregistrer votre produit pour un meilleur service :

**[www.registerelectrolux.com](http://www.registerelectrolux.com)**



Acheter des accessoires, consommables et pièces de rechange d'origine pour votre appareil :

**[www.electrolux.com/shop](http://www.electrolux.com/shop)**

## SERVICE ET ASSISTANCE À LA CLIENTÈLE

N'utilisez que des pièces de rechange d'origine.

Avant de contacter notre centre de service agréé, assurez-vous de disposer des informations suivantes : Modèle, PNC, numéro de série.

Ces informations figurent sur la plaque signalétique.

 Avertissement/Consignes de sécurité

 Informations générales et conseils

 Informations environnementales

Sous réserve de modifications.

### 1. INFORMATIONS DE SÉCURITÉ

Avant d'installer et d'utiliser cet appareil, lisez soigneusement les instructions fournies. Le fabricant ne pourra être tenu pour responsable des blessures et

dégâts résultant d'une mauvaise installation ou utilisation. Conservez toujours les instructions dans un lieu sûr et accessible pour vous y référer ultérieurement.

## 1.1 Sécurité des enfants et des personnes vulnérables

- Cet appareil peut être utilisé par des enfants âgés d'au moins 8 ans et par des personnes ayant des capacités physiques, sensorielles ou mentales réduites ou dénuées d'expérience ou de connaissance, s'ils sont correctement surveillés ou si des instructions relatives à l'utilisation de l'appareil en toute sécurité leur ont été données et s'ils comprennent les risques encourus.
- Les enfants de 3 à 8 ans peuvent charger et décharger l'appareil à condition qu'ils aient reçu des instructions appropriées.
- Cet appareil peut être utilisé par des personnes souffrant de handicaps très importants et complexes à conditions qu'elles aient reçu des instructions appropriées.
- Les enfants de moins de 3 ans doivent être tenus à l'écart de l'appareil, à moins d'être surveillés en permanence.
- Ne laissez pas les enfants jouer avec l'appareil.
- Le nettoyage et l'entretien ne doivent pas être effectués par des enfants sans surveillance.
- Ne laissez pas les emballages à la portée des enfants et jetez-les convenablement.

## 1.2 Sécurité générale

- Cet appareil est conçu pour un usage domestique et des applications équivalentes, notamment :
  - bâtiments de ferme, cuisines réservées aux employés dans les magasins, bureaux et autres lieux de travail ;

- l'utilisation par les clients des hôtels, motels, des environnements du type chambres d'hôtes et autres environnements à caractère résidentiel.
- Pour éviter la contamination des aliments, respectez les instructions suivantes :
  - n'ouvrez pas la porte pendant de longues durées ;
  - nettoyez régulièrement les surfaces pouvant être en contact avec les aliments et les systèmes d'évacuation accessibles ;
- **AVERTISSEMENT** : Veillez à ce que les orifices de ventilation, situés dans l'enceinte de l'appareil ou dans la structure intégrée, ne soient pas obstrués.
- **AVERTISSEMENT** : N'utilisez aucun dispositif mécanique ou autre moyen pour accélérer le processus de dégivrage, hormis ceux recommandés par le fabricant.
- **AVERTISSEMENT** : N'endommagez pas le circuit de réfrigération.
- **AVERTISSEMENT** : N'utilisez pas d'appareils électriques à l'intérieur des compartiments de conservation des aliments de l'appareil, sauf s'ils sont du type recommandé par le fabricant.
- Ne pulvérisez pas d'eau ni de vapeur pour nettoyer l'appareil.
- Nettoyez l'appareil avec un chiffon doux humide. Utilisez uniquement des détergents neutres. N'utilisez pas de produits abrasifs, de tampons à récurer, de solvants ni d'objets métalliques.
- Si l'appareil est vide pendant une longue durée, éteignez-le, dégivrez-le, nettoyez-le, séchez-le et laissez la porte ouverte pour empêcher le développement de moisissure dans l'appareil.
- Ne conservez pas de substances explosives dans cet appareil, telles que des aérosols contenant un gaz propulseur inflammable.
- Si le câble d'alimentation est endommagé, il doit être remplacé par le fabricant, son service après-vente

agréé ou des personnes aux qualifications similaires afin d'éviter tout danger.

## 2. CONSIGNES DE SÉCURITÉ

### 2.1 Installation



#### AVERTISSEMENT!

L'appareil doit être installé uniquement par un professionnel qualifié.

- Retirez l'intégralité de l'emballage.
- N'installez pas et ne branchez pas un appareil endommagé.
- Suivez scrupuleusement les instructions d'installation fournies avec l'appareil.
- Soyez toujours vigilants lorsque vous déplacez l'appareil car il est lourd. Utilisez toujours des gants de sécurité et des chaussures fermées.
- Assurez-vous que l'air circule autour de l'appareil.
- Lors de la première installation ou après avoir inversé la porte, attendez au moins 4 heures avant de brancher l'appareil sur le secteur. Cela permet à l'huile de refouler dans le compresseur.
- Avant toute opération sur l'appareil (par ex. inversion de la porte), débranchez la fiche de la prise de courant.
- N'installez pas l'appareil à proximité d'un radiateur, d'une cuisinière, d'un four ou d'une table de cuisson.
- N'exposez pas l'appareil à la pluie.
- N'installez pas l'appareil dans un endroit exposé à la lumière directe du soleil.
- N'installez pas l'appareil dans une pièce trop humide ou trop froide.
- Lorsque vous déplacez l'appareil, veillez à le soulever par l'avant pour éviter de rayer le sol.

### 2.2 Branchement électrique



#### AVERTISSEMENT!

Risque d'incendie ou d'électrocution.



#### AVERTISSEMENT!

Lorsque vous installez l'appareil, assurez-vous que le câble d'alimentation n'est pas coincé ou endommagé.



#### AVERTISSEMENT!

N'utilisez pas d'adaptateurs multiprises ni de rallonges.

- L'appareil doit être relié à la terre.
- Assurez-vous que les paramètres figurant sur la plaque signalétique correspondent aux données électriques nominale de l'alimentation secteur.
- Utilisez toujours une prise de courant de sécurité correctement installée.
- Veillez à ne pas endommager les composants électriques tels que la fiche secteur, le câble d'alimentation ou le compresseur. Contactez le service après-vente agréé ou un électricien pour changer les composants électriques.
- Le câble d'alimentation doit rester en dessous du niveau de la fiche secteur.
- Ne branchez la fiche secteur dans la prise secteur qu'à la fin de l'installation. Assurez-vous que la prise secteur est accessible après l'installation.
- Ne tirez pas sur le câble secteur pour débrancher l'appareil. Tirez toujours sur la fiche de la prise secteur.

### 2.3 Utilisation



#### AVERTISSEMENT!

Risque de blessures, de brûlures, d'électrocution ou d'incendie.



L'appareil contient un gaz inflammable, l'isobutane (R600a), un gaz naturel ayant un niveau élevé de compatibilité environnementale. Veillez à

ne pas endommager le circuit frigorifique contenant de l'isobutane.

- Ne modifiez pas les caractéristiques de cet appareil.
- Ne placez aucun appareil électrique (sorbetière, etc.) dans l'appareil, en l'absence d'indications du fabricant.
- Si le circuit frigorifique est endommagé, assurez-vous de l'absence de flammes et de sources d'ignition dans la pièce. Aérez la pièce.
- Évitez tout contact d'éléments chauds avec les parties en plastique de l'appareil.
- Ne placez jamais de boissons gazeuses dans le congélateur. Cela engendrerait une pression sur le récipient de la boisson.
- Ne stockez jamais de gaz ou de liquide inflammable dans l'appareil.
- Ne placez pas de produits inflammables ou d'éléments imbibés de produits inflammables à l'intérieur ou à proximité de l'appareil, ni sur celui-ci.
- Ne touchez pas le compresseur ni le condenseur. Ils sont chauds.
- Ne retirez pas et ne touchez pas les éléments du compartiment congélateur avec les mains mouillées ou humides.
- Ne recongelez jamais un aliment qui a été décongelé.
- Respectez les instructions de stockage figurant sur l'emballage des aliments surgelés.
- Emballez les aliments dans un emballage adapté au contact avec des aliments avant de les placer dans le compartiment congélateur.

## 2.4 Éclairage intérieur



**AVERTISSEMENT!**  
Risque d'électrocution !

- Concernant la/les lampe(s) à l'intérieur de ce produit et les lampes de rechange vendues séparément : Ces lampes sont conçues pour résister à des conditions physiques extrêmes dans les appareils électroménagers, telles que la température, les vibrations, l'humidité, ou sont conçues pour signaler des

informations sur le statut opérationnel de l'appareil. Elles ne sont pas destinées à être utilisées dans d'autres applications et ne conviennent pas à l'éclairage des pièces d'un logement.

## 2.5 Entretien et nettoyage



**AVERTISSEMENT!**

Risque de blessure corporelle ou de dommages matériels.

- Avant toute opération d'entretien, éteignez l'appareil et débranchez la fiche de la prise secteur.
- Cet appareil contient des hydrocarbures dans son circuit de réfrigération. L'entretien et la recharge du circuit de réfrigération doivent être effectués par un professionnel qualifié.
- Examinez régulièrement l'écoulement de l'appareil et si nécessaire, nettoyez-le. Si l'orifice est bouché, l'eau provenant du dégivrage s'écoulera en bas de l'appareil.

## 2.6 Service

- Pour réparer l'appareil, contactez un service après-vente agréé. Utilisez exclusivement des pièces d'origine.
- Veuillez noter qu'une autoréparation ou une réparation non professionnelle peuvent avoir des conséquences sur la sécurité et annuler la garantie.
- Les pièces de rechange suivantes seront disponibles pendant 7 ans après l'arrêt du modèle : thermostats, capteurs de température, cartes de circuits imprimés, sources lumineuses, poignées de porte, charnières de porte, plateaux et paniers. Veuillez noter que certaines de ces pièces de rechange ne sont disponibles qu'auprès de réparateurs professionnels et que toutes les pièces de rechange ne sont pas adaptées à tous les modèles.
- Les joints de portes seront disponibles pendant 10 ans après l'arrêt du modèle.

## 2.7 Mise au rebut



### AVERTISSEMENT!

Risque de blessure ou d'asphyxie.

- Débranchez l'appareil de l'alimentation électrique.
- Coupez le câble d'alimentation et mettez-le au rebut.
- Retirez la porte pour empêcher les enfants et les animaux de s'enfermer dans l'appareil.

- Le circuit frigorifique et les matériaux d'isolation de cet appareil préservent la couche d'ozone.
- La mousse isolante contient un gaz inflammable. Contactez votre service municipal pour obtenir des informations sur la marche à suivre pour mettre l'appareil au rebut.
- N'endommagez pas la partie du circuit de réfrigération située à proximité du condenseur thermique.

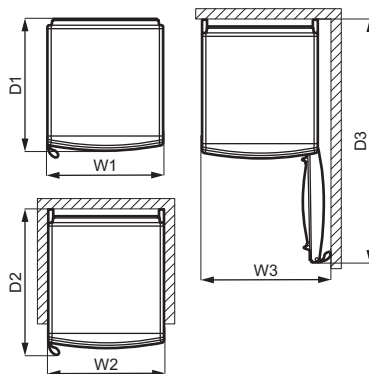
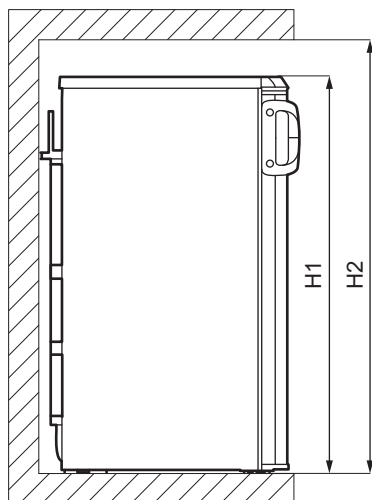
## 3. INSTALLATION



### AVERTISSEMENT!

Reportez-vous aux chapitres concernant la sécurité.

### 3.1 Dimensions



Dimensions hors-tout <sup>1</sup>		
H1	mm	1250
W1	mm	545
D1	mm	630

<sup>1</sup> hauteur, largeur et profondeur de l'appareil sans la poignée ni les pieds

Espace requis en service <sup>2</sup>		
H2	mm	1350
W2	mm	547
D2	mm	670

<sup>2</sup> hauteur, largeur et profondeur de l'appareil avec la poignée, plus l'espace

nécessaire pour la libre circulation de l'air de refroidissement

Espace total requis en service <sup>3</sup>		
H2	mm	1350
W3	mm	605
D3	mm	1130

<sup>3</sup> hauteur, largeur et profondeur de l'appareil avec la poignée, plus l'espace nécessaire pour la libre circulation de l'air de refroidissement, plus l'espace nécessaire pour autoriser l'ouverture de la porte à l'angle minimal permettant le retrait de tous les équipements internes

## 3.2 Emplacement



Consultez les instructions d'installation lors de l'installation.

Cet appareil n'est pas destiné à être utilisé comme un appareil encastré.

En cas d'installation différente d'une installation autonome respectant l'espace requis dans les dimensions d'utilisation, l'appareil fonctionnera correctement mais la consommation énergétique pourra légèrement augmenter.

Pour garantir la meilleure fonctionnalité de l'appareil, vous ne devez pas installer l'appareil à proximité d'une source de chaleur (fours, poêles, radiateurs, cuisinières ou plaques de cuisson) ni dans un lieu exposé à la lumière directe du soleil. Assurez-vous que l'air peut circuler librement autour de l'arrière du meuble.

Cet appareil doit être installé dans un lieu sec et bien ventilé à l'intérieur.

Pour garantir des performances optimales si l'appareil est installé sous un élément suspendu, la distance minimale avec le haut de l'appareil doit être maintenue. Si possible, évitez de placer l'appareil sous des éléments suspendus. Pour garantir que l'appareil est de niveau, réglez le ou les pieds réglables sous l'appareil.



### ATTENTION!

Si vous placez l'appareil contre un mur, utilisez les entretoises arrière fournies ou laissez la distance minimale indiquée dans les instructions d'installation.



### ATTENTION!

Si vous installez l'appareil à proximité d'un mur, consultez les instructions d'installation pour déterminer la distance minimale entre le mur et la paroi de l'appareil équipée des charnières de porte. Ainsi, vous aurez assez de place pour ouvrir la porte et retirer les accessoires intérieurs (par exemple pour le nettoyage).

Cet appareil est destiné à être utilisé à une température ambiante comprise entre 10°C et 43°C.



Seul le respect de la plage de températures spécifiée peut garantir un bon fonctionnement de l'appareil.



En cas de doute concernant le lieu d'installation de l'appareil, veuillez contacter le vendeur, notre service après-vente ou le centre de réparation agréé le plus proche.



L'appareil doit pouvoir être débranché de l'alimentation électrique. C'est pourquoi la prise électrique doit être facilement accessible après l'installation.

## 3.3 Branchement électrique

- Avant de brancher l'appareil, assurez-vous que la tension et la fréquence indiquées sur la plaque signalétique correspondent à celles du réseau électrique domestique.
- L'appareil doit être relié à la terre. La fiche du câble d'alimentation comporte un contact à cet effet. Si la

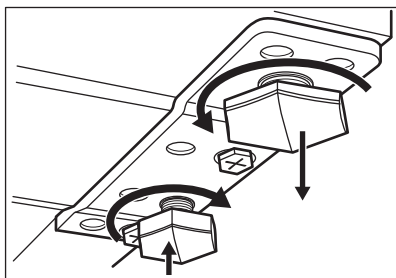


prise de courant n'est pas mise à la terre, branchez l'appareil à une mise à la terre séparée conformément aux réglementations en vigueur, en consultant un électricien spécialisé.

- Le fabricant décline toute responsabilité en cas de non-respect des consignes de sécurité ci-dessus.
- Cet appareil est conforme aux directives CEE.

### 3.4 Mise de niveau

Lorsque vous installez l'appareil, veuillez à le placer de niveau. Servez-vous des deux pieds réglables se trouvant à l'avant de l'appareil.



Si vous installez l'appareil dans un meuble :

1. Dévissez le pied de la charnière de la porte.
2. Vissez le pied de rechange se trouvant dans le sachet du bac à œufs sur le meuble.

### 3.5 Inversion du sens d'ouverture de la porte

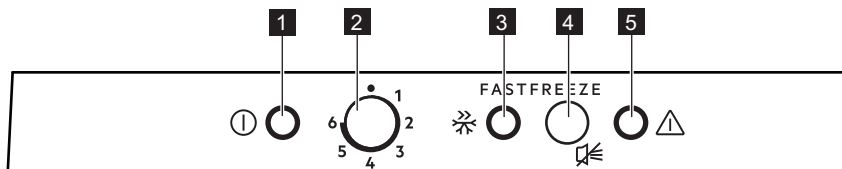
Veillez vous reporter au document séparé contenant des instructions sur l'installation et l'inversion du sens d'ouverture de la porte.



#### ATTENTION!

À chaque étape de réversibilité de la porte, protégez le sol pour éviter les rayures dues aux matériaux durs.

## 4. BANDEAU DE COMMANDE



- |  |  |
|--|--|
| <ol style="list-style-type: none"> <li>1 Voyant de mise sous tension</li> <li>2 Thermostat et interrupteur Marche/ Arrêt</li> <li>3 FastFreeze Voyant</li> </ol> | <ol style="list-style-type: none"> <li>4 FastFreeze Interrupteur et touche de réinitialisation de l'alarme</li> <li>5 Voyant d'alarme</li> </ol> |
|--|--|

### 4.1 Mise en marche

1. Insérez la fiche dans la prise murale.
2. Tournez le thermostat vers la droite sur une position médiane.

Si la température à l'intérieur de l'appareil est trop élevée, le voyant Alarme clignote et l'alarme sonore retentit.

3. Appuyez sur la touche FastFreeze pour éteindre l'alarme sonore. Le voyant d'alarme clignote jusqu'à ce que la température interne ait atteint un niveau requis pour la conservation sûre des aliments congelés.

## 4.2 Mise à l'arrêt

1. Tournez le thermostat sur la position « O ».  
Le voyant Mise sous tension s'éteint.
2. Débranchez la fiche de la prise secteur.

## 4.3 Réglage de la température

La température est régulée automatiquement. Cependant, vous pouvez choisir vous-même la température à l'intérieur de l'appareil.

Choisissez le réglage en tenant compte du fait que la température à l'intérieur de l'appareil dépend de plusieurs facteurs :

- la température ambiante,
- la fréquence d'ouverture de la porte
- la quantité de denrées entreposées,
- l'emplacement de l'appareil.

Un réglage intermédiaire est généralement le plus indiqué.

Pour faire fonctionner l'appareil :

1. Tournez le thermostat vers la droite pour faire baisser la température à l'intérieur de l'appareil.
2. Tournez le thermostat vers la gauche pour remonter la température à l'intérieur de l'appareil.

## 4.4 FastFreeze Fonction

La fonction FastFreeze sert à effectuer une pré-congélation et une congélation rapide en séquence dans le compartiment du congélateur. Cette fonction accélère la congélation des

aliments frais et protège en même temps les denrées déjà entreposées d'un réchauffement indésirable.



Pour congeler des aliments frais, activez la fonction FastFreeze au moins 24 heures avant de placer les aliments pour effectuer une pré-congélation.

Pour activer cette fonction :

Appuyez sur la touche FastFreeze pendant 2 à 3 secondes pour activer la fonction FastFreeze. Le voyant FastFreeze s'allume.



Cette fonction s'arrête automatiquement au bout de 52 heures. Vous pouvez désactiver la fonction à tout moment en appuyant sur l'interrupteur FastFreeze pendant 2 à 3 secondes.

## 4.5 Alarme haute température

En cas d'augmentation de la température dans le compartiment du congélateur (par exemple en raison d'une coupure de courant), le voyant d'alarme clignote et un son retentit.

Le son peut être coupé à tout moment en appuyant sur la touche de réinitialisation de l'alarme.

Une fois les conditions normales rétablies, le voyant Alarme cesse de clignoter et le son se coupe automatiquement.

# 5. UTILISATION QUOTIDIENNE

## 5.1 Congeler des aliments frais

Le compartiment du congélateur est parfait pour congeler des denrées fraîches et conserver à long terme des aliments surgelés ou congelés.

Pour congeler des aliments frais, activez la fonction FastFreeze au moins 24 heures avant de placer les aliments à conserver dans le compartiment de congélation.

La quantité maximale d'aliments pouvant être congelés, sans ajouter d'autres aliments frais pendant 24 heures, figure sur la plaque signalétique (étiquette située à l'intérieur de l'appareil).

Une fois le processus de congélation terminé, l'appareil revient automatiquement au réglage de température précédent (voir « Fonction FastFreeze »).

## 5.2 Conservation des plats surgelés

Lors de la mise en service ou après un arrêt prolongé et avant d'introduire les produits dans le compartiment, laissez fonctionner l'appareil au moins 3 heures avec la fonction FastFreeze allumée.

Les aliments ne doivent pas être placés à moins de 15 mm de la porte.



### ATTENTION!

En cas de décongélation accidentelle causée par une coupure de courant par exemple, si la durée de la mise hors tension est supérieure à la valeur indiquée sur la plaque signalétique sous « Autonomie de fonctionnement », les aliments décongelés doivent être consommés rapidement ou cuits immédiatement avant d'être refroidis, puis recongelés. Consultez le paragraphe « Alarme haute température ».

## 5.3 Décongélation

Avant d'être consommés, les aliments surgelés ou congelés peuvent être décongelés au réfrigérateur ou dans un sachet en plastique sous de l'eau froide.

Cette opération dépend du temps disponible et du type d'aliments. Les petits morceaux peuvent même être cuits toujours congelés.

# 6. CONSEILS

## 6.1 Conseils pour économiser l'énergie

- La configuration interne de l'appareil est celle qui assure l'utilisation la plus efficace de l'énergie.
- Évitez d'ouvrir fréquemment la porte et ne la laissez ouverte que le temps nécessaire.
- Plus le réglage de la température est bas, plus la consommation électrique est élevée.
- Assurez une bonne ventilation. Ne couvrez pas les grilles ou les orifices de ventilation.


## 6.2 Conseils pour la congélation

- Activez la fonction FastFreeze au moins 24 heures avant de placer les aliments à l'intérieur du compartiment du congélateur.

- Avant de congeler, emballez et fermez les aliments frais dans : papier aluminium, film ou sachets en plastique, récipients hermétiques avec couvercle.
- Pour une congélation et une décongélation plus efficaces, séparez les aliments en petites portions.
- Il est recommandé de mettre des étiquettes et des dates sur tous vos aliments congelés. Cela permettra d'identifier les aliments et de savoir quand ils peuvent être consommés avant leur détérioration.
- Les aliments doivent être frais lorsqu'ils sont congelés pour préserver leur qualité. En particulier, les fruits et les légumes doivent être congelés après leur récolte pour préserver tous leurs nutriments.
- Ne congelez pas des bouteilles ou des canettes avec des liquides, en particulier des boissons contenant du

- dioxyde de carbone : elles pourraient exploser pendant la congélation.
- N'introduisez pas d'aliments chauds dans le compartiment du congélateur. Laissez-les refroidir à température ambiante avant de les placer dans le compartiment.
  - Pour éviter d'augmenter la température des aliments déjà surgelés, ne placez pas d'aliments frais non congelés directement à proximité. Placez les aliments à température ambiante dans la partie du compartiment du congélateur où il n'y a pas d'aliments congelés.
  - Ne mangez pas les glaçons, les glaces à l'eau ou les bâtonnets glacés dès leur sortie du congélateur. Risque de gelure.
  - Ne recongelez pas des aliments décongelés. Si les aliments sont décongelés, cuisez-les, laissez-les refroidir puis congelez-les.

### 6.3 Conseils pour le stockage des plats surgelés

- Le compartiment congélateur est marqué de .
- Le réglage intermédiaire de la température assure une bonne conservation des produits alimentaires congelés. Un réglage de température plus élevé à l'intérieur de l'appareil peut entraîner une durée de conservation plus courte.
- L'ensemble du compartiment du congélateur est adapté à la conservation de produits alimentaires congelés.

- Laissez suffisamment d'espace autour des aliments pour permettre à l'air de circuler librement.
- Pour une conservation adéquate, consultez l'étiquette de l'emballage des aliments pour connaître la durée de conservation des aliments.
- Il est important d'emballer les aliments de manière à empêcher l'eau, l'humidité ou la condensation de pénétrer à l'intérieur.

### 6.4 Conseils pour vos courses

Après vos courses :

- Assurez-vous que l'emballage n'est pas endommagé : les aliments pourraient être détériorés. Si l'emballage est gonflé ou mouillé, il n'a peut-être pas été conservé dans des conditions optimales et la décongélation a peut-être déjà commencé.
- Pour limiter le processus de décongélation, achetez les produits congelés à la fin de vos courses et transportez-les dans un sac isotherme.
- Placez les aliments congelés dans le congélateur immédiatement après être revenu de vos courses.
- Si les aliments sont décongelés même partiellement, ne les recongelez pas. Consommez-les dès que possible.
- Respectez la date d'expiration et les informations de conservation sur l'emballage.

### 6.5 Durée de conservation

Type d'aliment	Durée de conservation (mois)
Pain	3
Fruits (sauf agrumes)	6 - 12
Légumes	8 - 10
Restes (sans viande)	1 - 2

Type d'aliment	Durée de conservation (mois)
<b>Produits laitiers :</b>	
Beurre	6 - 9
Fromage à pâte molle (p. ex., mozzarella)	3 - 4
Fromage à pâte dure (p. ex., parmesan, cheddar)	6
<b>Fruits de mer :</b>	
Poisson gras (p. ex., saumon, maquereau)	2 - 3
Poisson maigre (p. ex., cabillaud, limande)	4 - 6
Crevettes	12
Palourdes et moules décortiquées	3 - 4
Poisson cuit	1 - 2
<b>Viande :</b>	
Volaille	9 - 12
Bœuf	6 - 12
Porc	4 - 6
Agneau	6 - 9
Saucisse	1 - 2
Jambon	1 - 2
Restes (avec viande)	2 - 3

## 7. ENTRETIEN ET NETTOYAGE



### AVERTISSEMENT!

Reportez-vous aux chapitres concernant la sécurité.

### 7.1 Nettoyage de l'intérieur

Avant d'utiliser l'appareil pour la première fois, nettoyez l'intérieur et tous les accessoires avec de l'eau tiède savonneuse (pour supprimer toute odeur de neuf), puis séchez-les soigneusement.



### ATTENTION!

N'utilisez jamais de détergents, de produits abrasifs, de nettoyants à base de chlore ou d'huile car ils pourraient endommager le revêtement.



### ATTENTION!

Les pièces et accessoires de l'appareil ne doivent pas être lavés au lave-vaisselle.

### 7.2 Nettoyage périodique

L'appareil doit être nettoyé régulièrement :

1. Nettoyez l'intérieur et les accessoires avec de l'eau tiède et du savon neutre.
2. Vérifiez régulièrement les joints de porte et essuyez-les pour vous assurer qu'ils sont propres et ne contiennent pas de résidus.
3. Rincez et séchez soigneusement.

## 7.3 Dégivrage du congélateur



### ATTENTION!

N'utilisez jamais d'outils métalliques tranchants pour gratter le givre de l'évaporateur car vous risqueriez de l'endommager. N'utilisez aucun dispositif mécanique ou moyen artificiel pour accélérer le processus de dégivrage hormis ceux recommandés par le fabricant.



Environ 12 heures avant le dégivrage, mettez le thermostat sur une température inférieure afin d'assurer une réserve de froid suffisante en cas d'interruption du fonctionnement.

Une certaine quantité de givre se forme toujours sur les clayettes du congélateur et autour du compartiment supérieur.

Dégivrez le congélateur lorsque l'épaisseur de la couche de givre est d'environ 3-5 mm

1. Éteignez l'appareil ou débranchez la fiche de la prise secteur.
2. Sortez les denrées congelées et conservez-les dans un endroit frais.

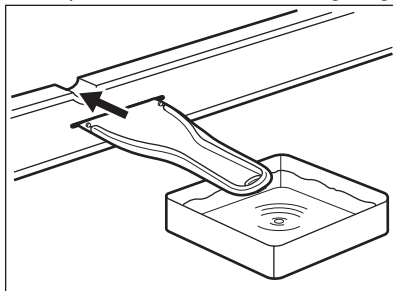


### ATTENTION!

Une élévation de la température des denrées congelées, pendant le dégivrage, peut réduire leur durée de conservation. Ne touchez pas les produits congelés avec les mains mouillées. Les mains peuvent geler sur les produits.

3. Laissez la porte ouverte. Protégez le sol de l'eau de dégivrage avec un chiffon ou un récipient plat.

4. Le dégivrage peut être accéléré en plaçant un récipient d'eau chaude dans le compartiment du congélateur. Retirez également les morceaux de glace au fur et à mesure qu'ils se détachent avant la fin du dégivrage.
5. Utilisez la spatule en plastique comme gouttière en l'insérant dans l'emplacement prévu à cet effet. Placez au-dessous un récipient dans lequel s'écoulera l'eau de dégivrage.



6. Une fois le dégivrage terminé, séchez bien l'intérieur.
7. Mettez l'appareil en marche et fermez la porte.
8. Réglez le thermostat pour obtenir le plus de froid possible et faites fonctionner l'appareil au moins 3 heures avec ce réglage.

Vous pouvez remettre les denrées dans le compartiment congélateur uniquement à ce stade.

## 7.4 Période de non-utilisation

Si l'appareil n'est pas utilisé pendant une longue période, prenez les précautions suivantes :

1. Débranchez l'appareil de l'alimentation électrique.
2. Retirez tous les aliments.
3. Dégivrez l'appareil.
4. Nettoyez l'appareil et tous les accessoires.
5. Laissez la porte ouverte pour éviter la formation d'odeurs désagréables.

## 8. DÉPANNAGE



### AVERTISSEMENT!

Reportez-vous aux chapitres concernant la sécurité.

### 8.1 Que faire si...

Problème	Cause possible	Solution
L'appareil ne fonctionne pas.	L'appareil est éteint.	Mettez l'appareil en marche.
	La fiche d'alimentation n'est pas correctement branchée à la prise de courant.	Branchez la fiche secteur sur la prise de courant.
	Il n'y a pas de tension dans la prise de courant.	Branchez un autre appareil sur la prise de courant. Contactez un électricien qualifié.
L'appareil est bruyant.	L'appareil n'est pas positionné correctement.	Vérifiez que l'appareil est stable.
Les signaux sonores ou visuels sont activés.	Le meuble a été allumé récemment.	Consultez le paragraphe « Alarme porte ouverte » ou « Alarme haute température ».
	La température à l'intérieur de l'appareil est trop élevée.	Consultez le paragraphe « Alarme porte ouverte » ou « Alarme haute température ».
Le compresseur fonctionne en permanence.	La température est mal réglée.	Reportez-vous au chapitre « Bandeau de commande ».
	Trop d'aliments ont été introduits simultanément.	Attendez quelques heures et vérifiez de nouveau la température.
	La température ambiante est trop élevée.	Reportez-vous au chapitre « Installation ».
	Les aliments placés dans l'appareil étaient trop chauds.	Laissez refroidir les aliments à température ambiante avant de les ranger.
	La porte n'est pas correctement fermée.	Reportez-vous à la section « Fermeture de la porte ».
	La fonction FastFreeze est activée.	Consultez le paragraphe « Fonction FastFreeze ».

<b>Problème</b>	<b>Cause possible</b>	<b>Solution</b>
Le compresseur ne démarre pas immédiatement après avoir appuyé sur la touche « FastFreeze », ou après avoir modifié la température.	Le compresseur démarre au bout d'un certain temps.	C'est normal, aucune erreur n'est survenue.
La porte est mal alignée ou interfère avec le grill de ventilation.	L'appareil n'est pas d'aplomb.	Consultez les instructions d'installation.
La porte est difficile à ouvrir.	Vous avez essayé de rouvrir la porte immédiatement après l'avoir fermée.	Attendez quelques secondes après avoir fermé la porte pour la rouvrir.
Il y a trop de givre et de glace.	La porte n'est pas correctement fermée.	Reportez-vous à la section « Fermeture de la porte ».
	Le joint est déformé ou sale.	Reportez-vous à la section « Fermeture de la porte ».
	Les aliments ne sont pas correctement emballés.	Emballez mieux les aliments.
	La température est mal réglée.	Reportez-vous au chapitre « Bande de commande ».
	L'appareil est complètement chargé et réglé sur la température la plus basse.	Sélectionnez une température plus élevée. Reportez-vous au chapitre « Bande de commande ».
	La température réglée dans l'appareil est trop basse et la température ambiante est trop élevée.	Sélectionnez une température plus élevée. Reportez-vous au chapitre « Bande de commande ».
De l'eau s'écoule sur le sol.	La sortie d'eau de dégivrage n'est pas raccordée au bac d'évaporation situé au-dessus du compresseur.	Fixez la sortie de l'eau de dégivrage au plateau d'évaporation.
La température ne peut pas être réglée.	La « FastFreeze fonction » est activée.	Éteignez la « FastFreeze fonction » manuellement, ou attendez que la fonction se réinitialise automatiquement avant de régler la température. Reportez-vous au paragraphe « FastFreeze Fonction ».
La température à l'intérieur de l'appareil est trop basse/élevée.	La température n'est pas réglée correctement.	Sélectionnez une température plus élevée/plus basse.



Problème	Cause possible	Solution
	La porte n'est pas correctement fermée.	Reportez-vous à la section « Fermeture de la porte ».
	La température des aliments est trop élevée.	Laissez les aliments refroidir à température ambiante avant de les conserver.
	Trop d'aliments ont été conservés simultanément.	Conservez moins de produits en même temps.
	L'épaisseur du givre est supérieure à 4-5 mm.	Dégivrez l'appareil.
	La porte a été ouverte souvent.	N'ouvrez la porte que si nécessaire.
	La fonction FastFreeze est activée.	Consultez le paragraphe « Fonction FastFreeze ».
	L'air froid ne circule pas dans l'appareil.	Assurez-vous que l'air froid circule dans l'appareil. Reportez-vous au chapitre « Conseils ».
Le voyant de mise sous tension clignote.	Une erreur s'est produite lors de la mesure de la température.	Contactez un électricien qualifié ou le service après-vente agréé le plus proche.



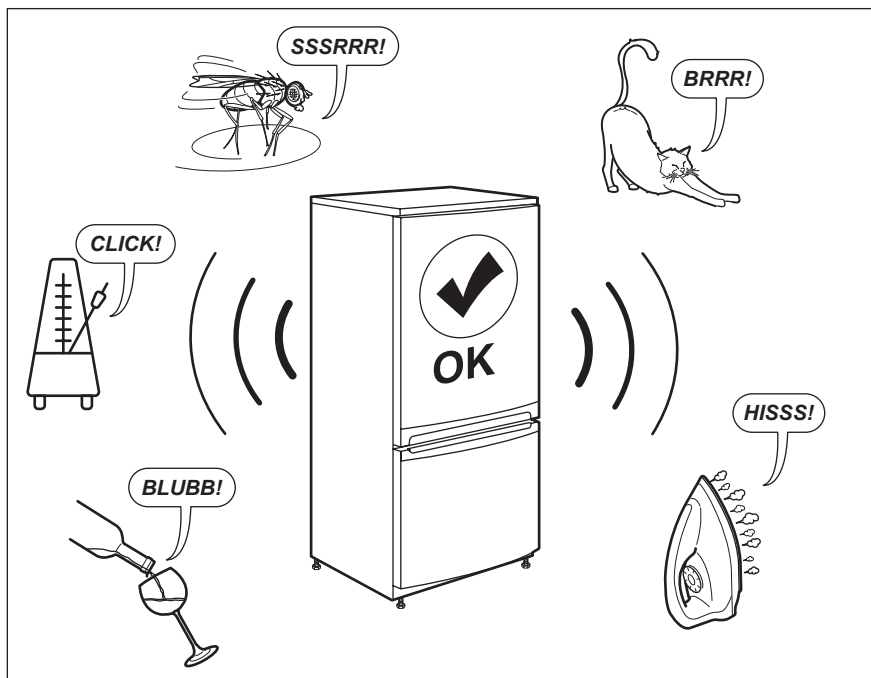
Si ces conseils n'apportent pas le résultat souhaité, veuillez consulter le service après-vente agréé le plus proche.

2. Si nécessaire, ajustez la porte. Consultez les instructions d'installation.
3. Si nécessaire, remplacez les joints de porte défectueux. Contactez le service après-vente agréé.

## 8.2 Fermeture de la porte

1. Nettoyez les joints de la porte.

## 9. BRUITS



## 10. DONNÉES TECHNIQUES

Les caractéristiques techniques figurent sur la plaque signalétique apposée sur le côté intérieur de l'appareil et sur l'étiquette énergétique.

Le code QR présent sur l'étiquette énergétique fournie avec l'appareil contient un lien Web vers les informations relatives aux performances de l'appareil dans la base de données EPREL de l'UE. Conservez l'étiquette énergétique à titre de référence avec le manuel d'utilisation et tous les autres documents fournis avec cet appareil.

Il est également possible de trouver les mêmes informations dans EPREL à l'aide du lien <https://eprel.ec.europa.eu> avec le nom du modèle et le numéro de produit se trouvant sur la plaque signalétique de l'appareil.


Consultez le lien [www.theenergylabel.eu](http://www.theenergylabel.eu) pour obtenir des informations détaillées sur l'étiquette énergétique.


## 11. INFORMATIONS POUR LES INSTITUTS DE TEST

L'installation et la préparation de l'appareil pour une vérification EcoDesign doivent être conformes à la norme EN 62552. Les exigences de ventilation, les dimensions des évidements et les dégagements arrière

minimum doivent correspondre aux indications du chapitre 3 de ce manuel d'utilisation. Veuillez contacter le fabricant pour de plus amples informations, notamment les plans de chargement.

## 12. EN MATIÈRE DE PROTECTION DE L'ENVIRONNEMENT

Recyclez les matériaux portant le symbole . Déposez les emballages dans les conteneurs prévus à cet effet. Contribuez à la protection de l'environnement et à votre sécurité, recyclez vos produits électriques et

électroniques. Ne jetez pas les appareils portant le symbole  avec les ordures ménagères. Emmenez un tel produit dans votre centre local de recyclage ou contactez vos services municipaux.

**F** FRANCE ONLY



## INHALTSVERZEICHNIS

1. SICHERHEITSHINWEISE.....	36
2. SICHERHEITSANWEISUNGEN.....	39
3. MONTAGE.....	41
4. BEDIENFELD.....	43
5. TÄGLICHER GEBRAUCH.....	45
6. TIPPS UND HINWEISE.....	45
7. REINIGUNG UND PFLEGE.....	47
8. FEHLERSUCHE.....	49
9. GERÄUSCHE.....	52
10. TECHNISCHE DATEN.....	52
11. INFORMATIONEN FÜR PRÜFINSTITUTE.....	52

## WIR DENKEN AN SIE

Vielen Dank für Ihren Kauf eines Electrolux-Geräts. Sie haben ein Produkt gewählt, das jahrzehntelange professionelle Erfahrung und Innovation mit sich bringt. Das ausgeklügelte und stilvolle Produkt wurde für Sie entwickelt. So können Sie jedes Mal, wenn Sie das Produkt verwenden, sicher sein, dass Sie großartige Ergebnisse erzielen werden.

Willkommen bei Electrolux.

**Besuchen Sie uns auf unserer Website, um:**



Anwendungshinweise, Prospekte, Informationen zu Fehlerbehebung, Service und Reparatur zu erhalten:

**[www.electrolux.com/support](http://www.electrolux.com/support)**



Registrieren Sie Ihr Produkt, um einen erstklassigen Service zu erhalten:

**[www.registerelectrolux.com](http://www.registerelectrolux.com)**



Um Zubehör, Verbrauchsmaterial und Original-Ersatzteile für Ihr Gerät zu kaufen:

**[www.electrolux.com/shop](http://www.electrolux.com/shop)**

## KUNDENDIENST UND SERVICE


Verwenden Sie immer Original-Ersatzteile.

Halten Sie folgende Angaben bereit, wenn Sie sich an einen autorisierten Kundendienst wenden: Modell, PNC, Seriennummer.

Die Daten finden Sie auf dem Typenschild.

 Warnungs-/Sicherheitshinweise

 Allgemeine Informationen und Empfehlungen

 Informationen zum Umweltschutz

Änderungen vorbehalten.

### 1. SICHERHEITSHINWEISE

Lesen Sie vor der Montage und dem Gebrauch des Geräts zuerst die Bedienungsanleitung. Bei

Verletzungen oder Schäden infolge nicht ordnungsgemäßer Montage oder Verwendung übernimmt der Hersteller keine Haftung. Bewahren Sie die Anleitung zum Nachschlagen an einem sicheren und zugänglichen Ort auf.

## 1.1 Sicherheit von Kindern und schutzbedürftigen Personen

- Das Gerät kann von Kindern ab 8 Jahren und Personen mit eingeschränkten physischen, sensorischen oder geistigen Fähigkeiten oder mit mangelnder Erfahrung und/oder mangelndem Wissen nur dann verwendet werden, wenn sie durch eine für ihre Sicherheit zuständige Person beaufsichtigt werden oder in die sichere Verwendung des Geräts eingewiesen wurden und die mit dem Gerät verbundenen Gefahren verstanden haben.
- Kinder zwischen 3 und 8 Jahren dürfen das Gerät be- und entladen, vorausgesetzt, sie wurden ordnungsgemäß eingewiesen.
- Dieses Gerät kann von Personen mit schweren und komplexen Behinderungen benutzt werden, vorausgesetzt, sie wurden ordnungsgemäß eingewiesen.
- Halten Sie Kinder unter 3 Jahren vom Gerät fern, wenn sie nicht ständig beaufsichtigt werden.
- Kinder dürfen nicht mit dem Gerät spielen.
- Kinder dürfen keine Reinigung und Wartung ohne Beaufsichtigung durchführen.
- Halten Sie sämtliches Verpackungsmaterial von Kindern fern und entsorgen Sie es ordnungsgemäß.

## 1.2 Allgemeine Sicherheit

- Dieses Gerät ist für die Verwendung im Haushalt und ähnliche Zwecke vorgesehen, wie z. B.:
  - Bauernhöfe, Personalküchenbereiche in Geschäften, Büros und anderen Arbeitsumfeldern;

- Für Gäste in Hotels, Motels, Pensionen und anderen wohnungsähnlichen Räumlichkeiten.
- Um eine Kontaminierung von Lebensmitteln zu vermeiden, beachten Sie die folgenden Hinweise:
  - Öffnen Sie die Tür nicht über längere Zeit hinweg;
  - Reinigen Sie regelmäßig Oberflächen, die mit Lebensmitteln in Kontakt kommen können, und zugängliche Ablaufsysteme;
- **WARNUNG:** Achten Sie darauf, dass die Belüftungsöffnungen im Schrank, um das Gerät und in der Einbaunische nicht blockiert sind.
- **WARNUNG:** Versuchen Sie nicht, den Abtauvorgang durch andere als vom Hersteller empfohlene mechanische oder sonstige Hilfsmittel zu beschleunigen.
- **WARNUNG:** Beschädigen Sie nicht den Kältekreislauf.
- **WARNUNG:** Betreiben Sie in den Lebensmittelfächern des Geräts keine anderen als die vom Hersteller empfohlenen Elektrogeräte.
- Reinigen Sie das Gerät nicht mit Wasserspray oder Dampf.
- Reinigen Sie das Geräts mit einem weichen, feuchten Tuch. Nur neutrale Reinigungsmittel verwenden. Benutzen Sie keine Scheuermittel, scheuernde Reinigungsschwämmchen, Lösungsmittel oder Metallgegenstände.
- Wenn das Gerät längere Zeit leer steht, schalten Sie es aus, tauen Sie es ab, reinigen und trocknen Sie es und lassen Sie die Tür offen, um Schimmelbildung im Gerät zu vermeiden.
- Bewahren Sie in dem Gerät keine explosiven Substanzen, wie Spraydosen mit entzündlichen Treibgasen auf.
- Wenn das Netzkabel beschädigt ist, muss es vom Hersteller, seinem autorisierten Kundenservice oder einer gleichermaßen qualifizierten Person

ausgetauscht werden, um Gefahrenquellen zu vermeiden.

## 2. SICHERHEITSANWEISUNGEN

### 2.1 Montage



#### **WARNUNG!**

Die Montage des Geräts darf nur von einer qualifizierten Fachkraft durchgeführt werden.

- Entfernen Sie das gesamte Verpackungsmaterial.
- Montieren Sie ein beschädigtes Gerät nicht und benutzen Sie es nicht.
- Halten Sie sich an die mitgelieferte Montageanleitung.
- Seien Sie beim Umsetzen des Gerätes vorsichtig, da es sehr schwer ist. Tragen Sie stets Sicherheitshandschuhe und festes Schuhwerk.
- Stellen Sie sicher, dass die Luft um das Gerät zirkulieren kann.
- Warten Sie nach der Montage oder dem Wechsel des Türanschlags mindestens 4 Stunden, bevor Sie das Gerät an die Stromversorgung anschließen. Dies ist erforderlich, damit das Öl in den Kompressor zurückfließen kann.
- Ziehen Sie den Stecker aus der Steckdose, bevor Sie am Gerät arbeiten (z.B. Wechsel des Türanschlags).
- Stellen Sie das Gerät nicht in der Nähe von Heizkörpern, Herden, Backöfen oder Kochfeldern auf.
- Setzen Sie das Gerät nicht dem Regen aus.
- Stellen Sie das Gerät nicht dort auf, wo es direktem Sonnenlicht ausgesetzt sein könnte.
- Stellen Sie dieses Gerät nicht in Bereichen auf, die zu feucht oder kalt sind.
- Wenn Sie das Gerät verschieben möchten, heben Sie es bitte an der Vorderkante an, um den Fußboden nicht zu verkratzen.

### 2.2 Elektrischer Anschluss



#### **WARNUNG!**

Brand- und Stromschlaggefahr.



#### **WARNUNG!**

Achten Sie bei der Montage des Geräts darauf, dass das Netzkabel nicht eingeklemmt oder beschädigt wird.



#### **WARNUNG!**

Verwenden Sie keine Mehrfachsteckdosen oder Verlängerungskabel.

- Das Gerät muss geerdet sein.
- Stellen Sie sicher, dass die Daten auf dem Typenschild mit den elektrischen Nennwerten der Netzspannung übereinstimmen.
- Schließen Sie das Gerät nur an eine ordnungsgemäß installierte Schutzkontaktsteckdose an.
- Achten Sie darauf, elektrische Bauteile (wie Netzstecker, Netzkabel und Kompressor) nicht zu beschädigen. Wenden Sie sich an den autorisierten Kundendienst oder einen Elektriker, um die elektrischen Bauteile auszutauschen.
- Das Netzkabel muss unterhalb des Netzsteckers verlegt werden.
- Stecken Sie den Netzstecker erst nach Abschluss der Montage in die Steckdose. Stellen Sie sicher, dass der Netzstecker nach der Montage noch zugänglich ist.
- Ziehen Sie nicht am Netzkabel, wenn Sie das Gerät von der Stromversorgung trennen möchten. Ziehen Sie stets am Netzstecker.

## 2.3 Gebrauch



### WARNUNG!

Es besteht Verletzungs-, Verbrennungs-, Stromschlag- oder Brandgefahr.



Das Gerät enthält Isobutan (R600a), ein brennbares Erdgas mit einem hohen Grad an Umweltverträglichkeit. Achten Sie darauf, den Kältekreislauf, der Isobutan enthält, nicht zu beschädigen.

- Nehmen Sie keine technischen Änderungen am Gerät vor.
- Stellen Sie keine elektrischen Geräte (z. B. Eisbereiter) in das Gerät, wenn solche Geräte nicht ausdrücklich vom Hersteller für diesen Zweck zugelassen sind.
- Wird der Kältekreislauf beschädigt, stellen Sie bitte sicher, dass es keine Flammen und Zündquellen im Raum gibt. Belüften Sie den Raum.
- Stellen Sie keine heißen Gegenstände auf die Kunststoffteile des Geräts.
- Legen Sie Erfrischungsgetränke nicht in das Gefrierfach. Dadurch entsteht Druck auf den Getränkebehälter.
- Bewahren Sie keine entzündbaren Gase und Flüssigkeiten im Gerät auf.
- Laden Sie keine entflammaren Produkte oder Gegenstände, die mit entflammaren Produkten benetzt sind, in das Gerät und stellen Sie solche nicht in die Nähe oder auf das Gerät.
- Berühren Sie nicht den Kompressor oder den Kondensator. Sie sind heiß.
- Nehmen Sie keine Gegenstände aus dem Gefrierfach bzw. berühren Sie diese nicht, falls Ihre Hände nass oder feucht sind.
- Frieren Sie aufgetaute Lebensmittel nicht wieder ein.
- Befolgen Sie die Hinweise auf der Verpackung zur Aufbewahrung tiefgekühlter Lebensmittel.
- Wickeln Sie die Lebensmittel in Lebensmittelkontaktmaterial ein, bevor Sie sie in das Gefrierfach legen.

## 2.4 Innenbeleuchtung



### WARNUNG!

Stromschlaggefahr.

- Bezüglich der Lampe(n) in diesem Gerät und separat verkaufter Ersatzlampen: Diese Lampen müssen extremen physikalischen Bedingungen in Haushaltsgeräten standhalten, wie z.B. Temperatur, Vibration, Feuchtigkeit, oder sollen Informationen über den Betriebszustand des Gerätes anzeigen. Sie sind nicht für den Einsatz in anderen Geräten vorgesehen und nicht für die Raumbelichtung geeignet.

## 2.5 Reinigung und Pflege



### WARNUNG!

Verletzungsgefahr sowie Risiko von Schäden am Gerät.

- Schalten Sie das Gerät immer aus und ziehen Sie den Netzstecker aus der Steckdose, bevor Reinigungsarbeiten durchgeführt werden.
- Der Kältekreis des Gerätes enthält Kohlenwasserstoffe. Das Gerät muss von einer qualifizierten Fachkraft gewartet und nachgefüllt werden.
- Prüfen Sie regelmäßig den Wasserabfluss des Geräts und reinigen Sie ihn gegebenenfalls. Bei verstopftem Wasserabfluss sammelt sich das Abtauwasser am Boden des Geräts an.

## 2.6 Wartung

- Zur Reparatur des Geräts wenden Sie sich an den autorisierten Kundendienst. Dabei dürfen ausschließlich Originalersatzteile verwendet werden.
- Bitte beachten Sie, dass eigene Reparaturen oder Reparaturen, die nicht von Fachkräften durchgeführt werden, die Sicherheit des Geräts beeinträchtigen und die Garantie ungültig machen können.
- Folgende Ersatzteile sind innerhalb von 7 Jahren nach Produkteinstellung



des Modells erhältlich: Thermostate, Temperatursensoren, Leiterplatten, Lichtquellen, Türgriffe, Türscharniere, Ablagen und Körbe. Bitte beachten Sie, dass einige dieser Ersatzteile nur an Reparaturbetriebe geliefert werden können und nicht alle Ersatzteile für alle Modelle relevant sind.

- Türdichtungen sind innerhalb von 10 Jahren nach Produkteinstellung des Modells erhältlich.

## 2.7 Entsorgung



### WARNUNG!

Verletzungs- und Erstickungsgefahr.

- Trennen Sie das Gerät von der Stromversorgung.

- Schneiden Sie das Netzkabel ab, und entsorgen Sie es.
- Entfernen Sie die Tür, um zu verhindern, dass sich Kinder oder Haustiere in dem Gerät einschließen.
- Der Kältekreislauf und die Isolierungsmaterialien dieses Gerätes sind ozonfreundlich.
- Die Isolierung enthält entzündliches Gas. Für Informationen zur korrekten Entsorgung des Gerätes wenden Sie sich an Ihre kommunale Behörde.
- Achten Sie darauf, dass die Kühleinheit in der Nähe des Wärmetauschers nicht beschädigt wird.

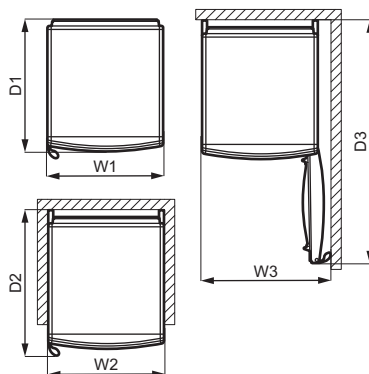
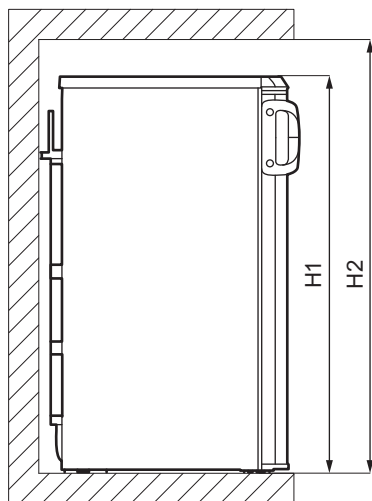
## 3. MONTAGE



### WARNUNG!

Siehe Kapitel Sicherheitshinweise.

### 3.1 Abmessungen



<b>Gesamtabmessungen <sup>1</sup></b>		
H1	mm	1250
W1	mm	545
D1	mm	630

<sup>1</sup> Höhe, Breite und Tiefe des Geräts ohne Griff und Füße

<b>Platzbedarf während des Betriebs <sup>2</sup></b>		
H2	mm	1350
W2	mm	547
D2	mm	670

<sup>2</sup> Höhe, Breite und Tiefe des Geräts einschließlich Griff und zuzüglich des notwendigen Freiraums für die Zirkulation der Kühlluft

<b>Platzbedarf insgesamt während des Betriebs <sup>3</sup></b>		
H2	mm	1350
W3	mm	605
D3	mm	1130

<sup>3</sup> Höhe, Breite und Tiefe des Geräts einschließlich Griff plus des notwendigen Freiraums für die Zirkulation der Kühlluft, zuzüglich des Platzes, der notwendig ist, um eine Türöffnung bis zu dem minimalen Winkel zu ermöglichen, der die Entfernung der gesamten Innenausstattung erlaubt

## 3.2 Standort



Lesen Sie die Montageanleitungen für die Installation.

Dieses Gerät ist nicht für die Verwendung als Einbaugerät vorgesehen.

Im Falle einer anderen als der freistehenden Installation und unter Einhaltung des Platzbedarfs funktioniert das Gerät korrekt, aber der Energieverbrauch kann leicht ansteigen.

Um die beste Funktionalität des Gerätes zu gewährleisten, sollten Sie das Gerät nicht in der Nähe von Wärmequellen (Backöfen, Heizöfen, Heizkörpern, Herden oder Kochfeldern) oder an einem Ort mit direkter Sonneneinstrahlung installieren. Stellen Sie sicher, dass die Luft frei um die Geräterückseite zirkulieren kann.

Dieses Gerät sollte in einem trockenen, gut belüfteten Innenbereich aufgestellt werden.

Um einen einwandfreien Betrieb sicherzustellen, muss der Mindestabstand zur Oberseite des Gehäuses eingehalten werden, wenn das Gerät unter einem Hängeschrank aufgestellt wird. Allerdings sollte die Aufstellung des Geräts unter einem Hängeschrank nach Möglichkeit vermieden werden. Das Gerät muss mithilfe eines Fußes oder mehrerer verstellbarer Füße am Sockel des Gehäuses ausgerichtet werden.



### **VORSICHT!**

Wenn Sie das Gerät gegen eine Wand stellen, verwenden Sie die mitgelieferten hinteren Distanzstücke für die Rückseite, um den Mindestabstand, der in der Montageanleitung angegeben ist, einzuhalten.



### **VORSICHT!**

Wenn Sie das Gerät neben einer Wand aufstellen, halten Sie den in der Montageanleitung angegebenen Mindestabstand zwischen der Wand und Geräteseite mit den Scharnieren ein, damit sich die Tür weit genug öffnen lässt, um die Innenausstattung herauszunehmen (z.B. für die Reinigung).

Dieses Gerät ist für den Einsatz bei einer Umgebungstemperatur von 10°C bis 43°C vorgesehen.

**i** Der ordnungsgemäße Betrieb des Geräts wird nur innerhalb des angegebenen Temperaturbereichs gewährleistet.

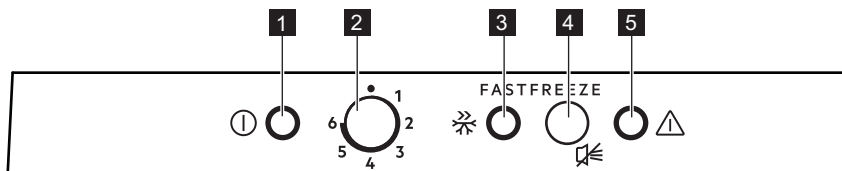
**i** Bei Fragen zum Aufstellungsort des Geräts wenden Sie sich an den Verkäufer, unseren Kundendienst oder nächstgelegenen autorisierten Kundendienst.

**i** Es muss möglich sein, das Gerät vom Netz zu trennen. Daher muss der Stecker nach der Installation zugänglich bleiben.

### 3.3 Elektroanschluss

- Kontrollieren Sie vor dem Einschalten des Geräts, ob die Netzspannung und -frequenz Ihres Hausanschlusses mit den auf dem Typenschild angegebenen Anschlusswerten übereinstimmen.
- Das Gerät muss geerdet sein. Zu diesem Zweck ist der Netzstecker mit einem Schutzkontakt ausgestattet. Falls die Steckdose Ihres Hausanschlusses nicht geerdet sein sollte, lassen Sie das Gerät gemäß den geltenden Vorschriften von einem qualifizierten Elektriker erden.
- Der Hersteller übernimmt keinerlei Haftung bei Missachtung der vorstehenden Sicherheitshinweise.
- Das Gerät entspricht den EC-Richtlinien.

## 4. BEDIENFELD

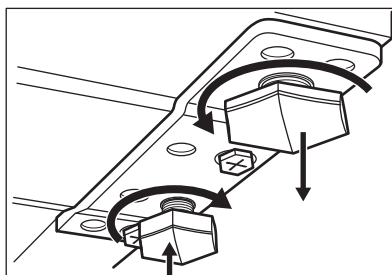


**1** Betriebskontrolllampe

**2** Temperaturregler und Ein-/Aus-Schalter

### 3.4 Ausrichten

Bei der Aufstellung des Geräts ist dieses waagrecht auszurichten. Dies lässt sich mit zwei Schraubfüßen am vorderen Sockel des Gerätes erreichen.



Wenn Sie das Gerät auf einem Unterbau aufstellen:

1. Lösen Sie den Fuß des Türscharniers.
2. Schrauben Sie den Ersatzfuß, der sich im Beipackbeutel mit der Eierablage befindet, in das Gehäuse.

### 3.5 Wechseln des Türanschlags

Informationen zu Montage und zum Wechseln des Türanschlags finden Sie in einer separaten Anleitung.



**VORSICHT!**

Wenn Sie den Türanschlag wechseln, schützen Sie den Boden mit einem strapazierfähigem Material vor Verkratzungen.

- 3 Anzeige FastFreeze
- 4 Taste FastFreeze und Taste zum Ausschalten des Alarms

## 4.1 Einschalten des Geräts

1. Stecken Sie den Stecker in die Netzsteckdose.
2. Drehen Sie den Temperaturregler im Uhrzeigersinn auf eine mittlere Einstellung.

Wenn die Temperatur im Innern des Gerätes zu hoch ist, blinkt die Alarmanzeige und es ertönt ein Alarmsignal.

3. Drücken Sie den Schalter FastFreeze und der akustische Alarm wird ausgeschaltet. Die Alarmanzeige blinkt weiterhin, bis die Innentemperatur auf den Wert abgesunken ist, der für die sichere Lagerung des Gefrierguts erforderlich ist.

## 4.2 Ausschalten

1. Drehen Sie den Temperaturregler in die Position „O“.  
Die Betriebs-Kontrolllampe schaltet sich aus.
2. Ziehen Sie den Netzstecker aus der Steckdose.

## 4.3 Temperaturregelung

Die Temperatur wird automatisch geregelt. Sie können jedoch selbst die Temperatur im Inneren des Gerätes einstellen.

Berücksichtigen Sie für eine exakte Einstellung, dass die Temperatur im Inneren des Geräts von folgenden Faktoren abhängt:

- Raumtemperatur,
- Häufigkeit der Türöffnung,
- Menge der gelagerten Lebensmittel,
- Aufstellungsort des Geräts.

Eine mittlere Einstellung ist im Allgemeinen am besten geeignet.

Bedienung des Geräts:

1. Drehen Sie den Temperaturregler im Uhrzeigersinn, um eine niedrigere Temperatur im Inneren des Gerätes zu erreichen.

## 5 Alarmanzeige

2. Drehen Sie den Temperaturregler gegen den Uhrzeigersinn, um eine höhere Temperatur im Inneren des Gerätes zu erreichen.

## 4.4 Funktion FastFreeze

Die Funktion FastFreeze dient dazu das Gefrierfach auf das Vorgefrieren und anschließende Schnellgefrieren der Lebensmittel vorzubereiten. Die Funktion ist eine Schnellgefrierfunktion, die die Tiefkühlung neu hinzukommender Lebensmittel beschleunigt und gleichzeitig die bereits tiefgekühlten Lebensmittel vor unerwünschter Erwärmung schützt.



Um frische Lebensmittel einzufrieren, schalten Sie die FastFreeze-Funktion mindestens 24 Stunden, bevor Sie die einzufrierenden Lebensmittel in das Gefrierfach hinein legen, ein.

Einschalten der Funktion:

Halten Sie die Taste FastFreeze 2 - 3 Sekunden gedrückt, um die FastFreeze-Funktion einzuschalten. Die Kontrolllampe FastFreeze leuchtet.



Diese Funktion endet automatisch nach 52 Stunden. Diese Funktion kann jederzeit ausgeschaltet werden. Halten Sie dafür den FastFreeze-Schalter 2 - 3 Sekunden gedrückt.

## 4.5 Hochtemperaturalarm

Bei einem Temperaturanstieg im Gefrierfach (zum Beispiel aufgrund eines Stromausfalls) blinkt die Alarmanzeige und es ertönt ein Signalton.

Der Ton kann jederzeit durch Drücken des Schalters zum Rücksetzen des Alarms ausgeschaltet werden.

Sobald die normalen Bedingungen wiederhergestellt sind, hört die

Alarmanzeige auf zu blinken und der Ton wird automatisch ausgeschaltet.

## 5. TÄGLICHER GEBRAUCH

### 5.1 Einfrieren frischer Lebensmittel

Das Gefrierfach eignet sich zum Einfrieren frischer Lebensmittel und zur langfristigen Aufbewahrung gefrorener und tiefgefrorener Lebensmittel.

Um frische Lebensmittel einzufrieren, aktivieren Sie bitte die FastFreeze-Funktion mindestens 24 Stunden, bevor Sie die einzufrierenden Lebensmittel in das Gefrierfach legen.

Die maximale Menge an Lebensmitteln, die ohne Hinzufügen von anderen frischen Lebensmittel innerhalb von 24 Stunden eingefroren werden kann, ist auf dem Typenschild (einem Schild im Gerät) angegeben.

Nach Abschluss des Gefriervorgangs kehrt das Gerät automatisch auf die vorherige Temperatureinstellung zurück (siehe „FastFreeze-Funktion“).

### 5.2 Lagerung von Tiefkühlgerichten

Lassen Sie das Gerät vor der ersten Inbetriebnahme oder nach einer Zeit, in der das Gerät nicht benutzt wurde, mindestens 3 Stunden lang mit

eingeschalteter Funktion FastFreeze laufen, bevor Sie Lebensmittel in das Fach legen.

Lagern Sie die Lebensmittel mit einem Mindestabstand von 15 mm zur Tür.



#### **VORSICHT!**

Kam es zum Beispiel zum Auftauen durch einen Stromausfall, der länger dauerte, als der auf dem Typenschild angegebene Wert unter Lagerzeit bei Störung, dann müssen die aufgetauten Lebensmittel schnell verbraucht oder sofort gekocht und nach dem Abkühlen wieder eingefroren werden. Siehe „Hochtemperaturwarnung“.

### 5.3 Abtauen

Tiefgefrorene oder gefrorene Lebensmittel können vor dem Verzehr im Kühlschrank oder in einem Plastikbeutel unter kaltem Wasser aufgetaut werden.

Dieser Vorgang hängt von der verfügbaren Zeit und der Lebensmittelart ab. Kleinere Gefriergutteile können sogar noch gefroren gekocht werden.

## 6. TIPPS UND HINWEISE

### 6.1 Tipps zum Energiesparen

- Die interne Konfiguration des Geräts gewährleistet die effizienteste Energienutzung.
- Öffnen Sie die Tür nicht zu häufig, und lassen Sie diese nicht länger offen als notwendig.
- Je kälter die Temperatureinstellung, desto höher der Energieverbrauch.
- Sorgen Sie für eine gute Belüftung. Bedecken Sie die Belüftungsgitter oder -öffnungen nicht.


### 6.2 Hinweise zum Einfrieren

- Schalten Sie die FastFreeze-Funktion mindestens 24 Stunden, bevor Sie die Lebensmittel in das Gefrierfach hinein legen, ein.
- Vor dem Einfrieren verpacken und verschließen Sie frische Lebensmittel in: Aluminiumfolie, Kunststoffolie oder -beutel, luftdichte Behälter mit Deckel.
- Teilen Sie die Lebensmittel in kleine Portionen, um das Einfrieren und Auftauen zu erleichtern.
- Es wird empfohlen, Ihre tiefgekühlten Lebensmittel mit Etiketten und dem Datum zu versehen. So können Sie

die Lebensmittel identifizieren und erkennen wann sie verzehrt werden sollten, bevor sie verderben.

- Die Lebensmittel sollten beim Einfrieren frisch sein, um eine gute Qualität zu bewahren. Besonders Obst und Gemüse sollte nach der Ernte eingefroren werden, um alle Nährstoffe zu erhalten.
- Frieren Sie keine Flaschen oder Dosen mit Flüssigkeiten, insbesondere kohlen säurehaltige Getränke, ein - die Gefäße können beim Einfrieren explodieren.
- Geben Sie keine heißen Lebensmittel in den Gefrierraum. Vergewissern Sie sich, dass sie auf Raumtemperatur abgekühlt sind, bevor Sie sie in das Fach legen.
- Um eine Erwärmung bereits eingefrorener Lebensmittel zu verhindern, legen Sie die frischen, nicht gefrorenen Lebensmittel nicht direkt neben sie. Legen Sie die Lebensmittel mit Raumtemperatur in die Gefrierfächer, die keine gefrorenen Lebensmittel enthalten.
- Essen Sie keine Eiswürfel, Wassereis oder Eis am Stiel, wenn sie direkt aus dem Gefriergerät genommen wurden. Gefahr von Erfrierungen.
- Frieren Sie aufgetaute Lebensmittel nicht wieder ein. Wenn Lebensmittel aufgetaut wurden, kochen Sie sie, lassen Sie sie abkühlen und frieren Sie sie dann ein.

### 6.3 Hinweise zur Lagerung von Tiefkühlgerichten

- Das Gefrierfach ist mit  gekennzeichnet.
- Eine mittlere Einstellung stellt eine gute Konservierung von Tiefkühlgerichten sicher.

### 6.5 Lagerdauer

Lebensmittel	Lagerdauer (Monate)
Brot	3
Früchte (außer Zitrusfrüchten)	6 - 12

Eine höhere Temperatureinstellung im Gerät kann die Haltbarkeit verkürzen.

- Der gesamte Gefrierraum ist für die Lagerung von Tiefkühlprodukten geeignet.
- Lassen Sie ausreichend Platz um die Lebensmittel herum, damit die Luft frei zirkulieren kann.
- Die Haltbarkeit von Lebensmitteln ist auf dem Etikett der Lebensmittelverpackung angegeben.
- Es ist wichtig, die Lebensmittel so zu verpacken, dass kein Wasser, Feuchtigkeit oder Kondenswasser ins Innere gelangt.

### 6.4 Einkaufstipps

Nach dem Lebensmitteleinkauf:

- Achten Sie darauf, dass die Verpackung nicht beschädigt ist - die Lebensmittel könnten verdorben sein. Wenn die Verpackung aufgequollen oder nass ist, wurde das Lebensmittel möglicherweise nicht unter den optimalen Bedingungen gelagert und das Auftauen hat eventuell bereits begonnen.
- Um den Auftauprozess zu minimieren, kaufen Sie Tiefkühlware am Ende Ihres Einkaufs und transportieren Sie diese in einer Isoliertasche.
- Legen Sie die tiefgefrorenen Lebensmittel sofort nach der Rückkehr aus dem Laden in das Gefriergerät.
- Wenn Lebensmittel auch nur teilweise aufgetaut sind, dürfen sie nicht wieder eingefroren werden. Verzehren Sie sie schnell wie möglich.
- Beachten Sie das Haltbarkeitsdatum und die Lagerinformationen auf der Verpackung.

Lebensmittel	Lagerdauer (Monate)
Gemüse	8 - 10
Reste ohne Fleisch	1 - 2
<b>Molkereiprodukte:</b>	
Butter	6 - 9
Weichkäse (z. B. Mozzarella)	3 - 4
Hartkäse (z. B. Parmesan, Cheddar)	6
<b>Meeresfrüchte:</b>	
Fetthaltiger Fisch (z. B. Lachs, Makrele)	2 - 3
Fettarmer Fisch (z. B. Dorsch, Flunder)	4 - 6
Shrimps	12
Muscheln und Miesmuscheln ohne Schale	3 - 4
Gekochter Fisch	1 - 2
<b>Fleisch:</b>	
Geflügel	9 - 12
Rindfleisch	6 - 12
Schweinefleisch	4 - 6
Lamm	6 - 9
Wurst	1 - 2
Schinken	1 - 2
Reste mit Fleisch	2 - 3

## 7. REINIGUNG UND PFLEGE



**WARNUNG!**  
Siehe Kapitel  
Sicherheitshinweise.



**VORSICHT!**  
Das Zubehör des Geräts  
und die Innenteile eignen  
sich nicht für die Reinigung  
im Geschirrspüler.

### 7.1 Reinigen des Innenraums

Bevor Sie das Gerät in Betrieb nehmen, beseitigen Sie den typischen Neugeruch am besten durch Reinigen der Innenteile mit lauwarmem Wasser und einer neutralen Seife. Sorgfältig nachtrocknen.



**VORSICHT!**  
Verwenden Sie keine  
chemischen  
Reinigungsmittel,  
Scheuerpulver, chlor- oder  
öhlhaltige Reinigungsmittel,  
da diese die Oberfläche  
beschädigen.

### 7.2 Regelmäßige Reinigung

Das gesamte Gerät muss regelmäßig gereinigt werden:

1. Reinigen Sie das Innere und die Zubehöerteile mit lauwarmem Wasser und etwas Neutralseife.
2. Prüfen und säubern Sie die Türdichtungen in regelmäßigen Abständen, um zu gewährleisten, dass diese sauber und frei von Fremdkörpern sind.
3. Spülen und trocknen Sie diese sorgfältig ab.

## 7.3 Abtauen des Gefriergeräts



### VORSICHT!

Verwenden Sie niemals scharfe Metallwerkzeuge, um Reif vom Verdampfer zu kratzen, weil er dadurch beschädigt werden könnte. Versuchen Sie nicht, den Abtauvorgang durch andere als vom Hersteller empfohlene mechanische oder sonstige Hilfsmittel zu beschleunigen.



Stellen Sie ungefähr 12 Stunden vor dem Abtauen eine niedrigere Temperatur ein, um ausreichend Kältereserve für die Betriebsunterbrechung aufzubauen.

Auf den Ablagen des Gefriergeräts und im Innern des oberen Fachs bildet sich stets etwas Reif.

Tauen Sie das Gefriergerät ab, wenn die Reifschicht eine Stärke von etwa 3 bis 5 mm erreicht hat.

1. Schalten Sie das Gerät aus, oder ziehen Sie den Netzstecker aus der Steckdose.
2. Entnehmen Sie die eingelagerten Lebensmittel und lagern Sie sie an einem kühlen Ort.

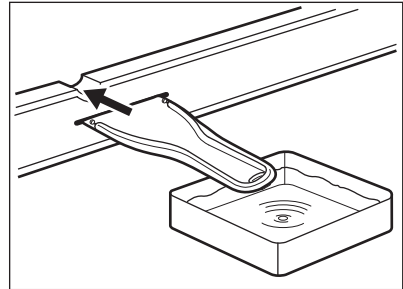


### VORSICHT!

Ein Temperaturanstieg der gefrorenen Lebensmittelpakete während des Abtauens kann deren Haltbarkeitsdauer verkürzen. Fassen Sie gefrorene Lebensmittel nicht mit nassen Händen an. Ihre Hände könnten an den Lebensmitteln festfrieren.

3. Lassen Sie die Tür offen. Schützen Sie den Boden vor dem Abtauwasser, z.B. mit einem Tuch oder einem flachen Behälter.

4. Zur Beschleunigung des Abtauprozesses stellen Sie einen Topf mit warmem Wasser in das Gefrierfach. Entfernen Sie bereits während des Abtauprozesses vorsichtig Eisstücke, die sich lösen lassen.
5. Setzen Sie den Kunststoffschaber in die entsprechende Aufnahme unten in der Mitte ein. Stellen Sie eine Schale zum Auffangen des Tauwassers darunter.



6. Wenn der Gefrierraum vollständig abgetaut ist, wischen Sie das Innere sorgfältig trocken.
7. Schalten Sie das Gerät ein und schließen Sie die Tür.
8. Drehen Sie den Temperaturregler auf eine höhere Einstellung, um die maximal mögliche Kühlung zu erreichen, und lassen Sie das Gerät mindestens 3 Stunden mit dieser Einstellung laufen.

Legen Sie das Gefriergut erst nach dieser Zeit wieder in das Gefrierfach.

## 7.4 Stillstandszeiten

Bei längerem Stillstand des Geräts müssen Sie folgende Vorkehrungen treffen:

1. Trennen Sie das Gerät von der Spannungsversorgung.
2. Entnehmen Sie alle Lebensmittel.
3. Tauen Sie das Gerät ab.
4. Reinigen Sie das Gerät und alle Zubehörteile.
5. Lassen Sie die Tür offen, um das Entstehen unangenehmer Gerüche zu vermeiden.



## 8. FEHLERSUCHE



**WARNUNG!**  
Siehe Kapitel  
Sicherheitshinweise.

### 8.1 Was zu tun ist, wenn ...

Problem	Mögliche Ursache	Lösung
Das Gerät funktioniert nicht.	Das Gerät ist ausgeschaltet.	Schalten Sie das Gerät ein.
	Der Netzstecker ist nicht richtig in die Netzsteckdose eingesteckt.	Stecken Sie den Netzstecker richtig in die Netzsteckdose.
	Die Netzsteckdose hat keine Netzspannung.	Schließen Sie ein anderes Elektrogerät an der Netzsteckdose an. Wenden Sie sich an einen qualifizierten Elektriker.
Das Gerät ist laut.	Das Gerät ist nicht ordnungsgemäß abgestützt.	Prüfen Sie, ob sich das Gerät in einer stabilen Position befindet.
Es wird ein akustisches oder optisches Alarmsignal ausgelöst.	Das Gerät wurde vor kurzem eingeschaltet.	Siehe „Alarm: Tür offen“ oder „Alarm: Hochtemperatur“.
	Die Temperatur im Gerät ist zu hoch.	Siehe „Alarm: Tür offen“ oder „Alarm: Hochtemperatur“.
Der Kompressor arbeitet ständig.	Die Temperatur ist falsch eingestellt.	Siehe Kapitel „Bedienfeld“.
	Es wurden viele Lebensmittel gleichzeitig hineingelegt.	Warten Sie einige Stunden und prüfen Sie erneut die Temperatur.
	Die Raumtemperatur ist zu hoch.	Siehe Kapitel „Montage“.
	Die Lebensmittel, die im Gerät aufbewahrt werden, waren zu warm.	Lassen Sie die Lebensmittel vor deren Aufbewahrung auf Raumtemperatur abkühlen.
	Die Tür ist nicht richtig geschlossen.	Siehe Abschnitt „Schließen der Tür“.
	Die Funktion FastFreeze ist eingeschaltet.	Siehe Abschnitt „Funktion FastFreeze“.

<b>Problem</b>	<b>Mögliche Ursache</b>	<b>Lösung</b>
Der Kompressor schaltet sich nicht sofort ein, nachdem Sie „FastFreeze“ gedrückt oder die Temperatur auf einen anderen Wert eingestellt haben.	Der Kompressor startet nach einer gewissen Zeit.	Das ist normal; es ist kein Fehler aufgetreten.
Die Tür ist falsch ausgerichtet oder beeinträchtigt das Lüftungsgitter.	Das Gerät ist nicht ausgerichtet.	Siehe Montageanleitung.
Die Tür lässt sich nicht leicht öffnen.	Sie haben versucht, die Tür unmittelbar nach dem Schließen erneut zu öffnen.	Warten Sie einige Sekunden zwischen dem Schließen und erneutem Öffnen der Tür.
Zu viel Frost und Eis.	Die Tür ist nicht richtig geschlossen.	Siehe Abschnitt „Schließen der Tür“.
	Die Dichtung ist verzogen oder verschmutzt.	Siehe Abschnitt „Schließen der Tür“.
	Die Lebensmittel sind nicht richtig verpackt.	Verpacken Sie die Lebensmittel besser.
	Die Temperatur ist falsch eingestellt.	Siehe Kapitel „Bedienfeld“.
	Das Gerät ist voll mit Lebensmitteln und auf die niedrigste Temperatur eingestellt.	Stellen Sie eine höhere Temperatur ein. Siehe Kapitel „Bedienfeld“.
	Die Temperatur im Gerät ist zu niedrig und die Umgebungstemperatur ist zu hoch.	Stellen Sie eine höhere Temperatur ein. Siehe Kapitel „Bedienfeld“.
Wasser fließt auf den Boden.	Der Tauwasserablauf ist nicht an die Verdampfungsschale über dem Kompressor angeschlossen.	Bringen Sie den Tauwasserablauf an der Verdampfungsschale an.
Die Temperatur kann nicht eingestellt werden.	Die „Funktion FastFreeze“ ist eingeschaltet.	Schalten Sie die „Funktion FastFreeze“ manuell aus, oder warten Sie mit dem Einstellen der Temperatur, bis die Funktion automatisch ausgeschaltet wird. Siehe Abschnitt „Funktion FastFreeze“.
Die Temperatur im Gerät ist zu niedrig/zu hoch.	Die Temperatur ist nicht richtig eingestellt.	Stellen Sie eine höhere/niedrigere Temperatur ein.

Problem	Mögliche Ursache	Lösung
	Die Tür ist nicht richtig geschlossen.	Siehe Abschnitt „Schließen der Tür“.
	Die Temperatur der Lebensmittel ist zu hoch.	Lassen Sie die Lebensmittel auf Raumtemperatur abkühlen, bevor Sie diese in das Kühlgerät legen.
	Viele Lebensmittel werden gleichzeitig in das Kühlgerät gelegt.	Legen Sie weniger Lebensmittel gleichzeitig in das Kühlgerät.
	Die Frostschrift ist dicker als 4 - 5 mm.	Tauen Sie das Gerät ab.
	Die Tür wurde zu oft geöffnet.	Öffnen Sie die Tür nur bei Bedarf.
	Die Funktion FastFreeze ist eingeschaltet.	Siehe Abschnitt „Funktion FastFreeze“.
	Im Gerät herrscht keine Kaltluftzirkulation.	Stellen Sie sicher, dass die Kaltluft im Gerät zirkulieren kann. Siehe Kapitel „Tipps und Hinweise“.
Die Stromanzeige-LED blinkt.	Beim Messen der Temperatur ist ein Fehler aufgetreten.	Wenden Sie sich an einen qualifizierten Elektriker oder an das nächste autorisierte Servicezentrum.



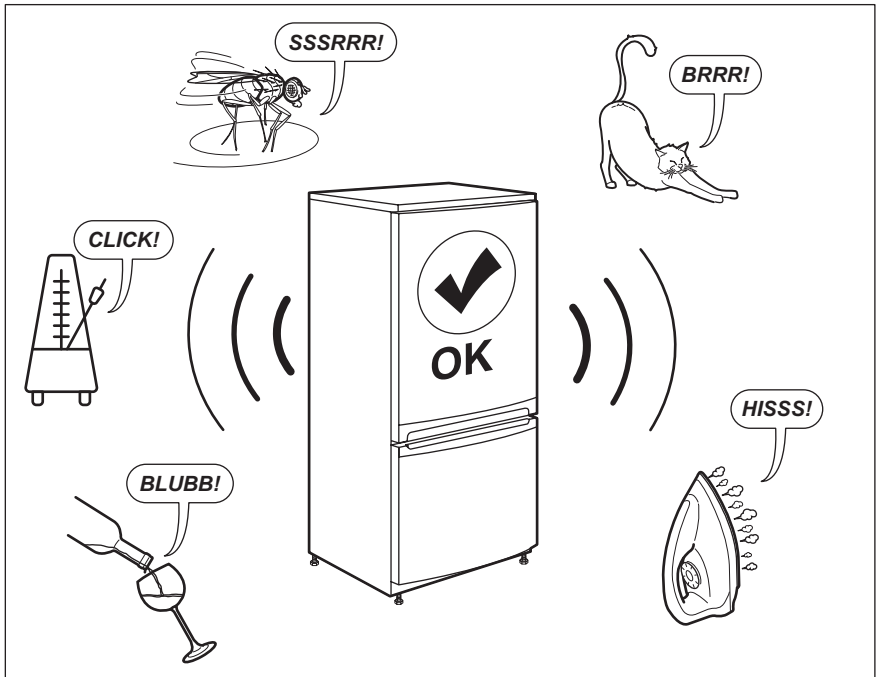
Wenn die Ratschläge nicht zum gewünschten Ergebnis führen, wenden Sie sich an das nächste autorisierte Servicezentrum.

2. Stellen Sie die Tür nach Bedarf ein. Siehe Montageanleitung.
3. Ersetzen Sie die defekten Türdichtungen, falls erforderlich. Wenden Sie sich an einen autorisierten Kundendienst.

## 8.2 Schließen der Tür

1. Reinigen Sie die Türdichtungen.

## 9. GERÄUSCHE



## 10. TECHNISCHE DATEN

Die technischen Daten befinden sich auf dem Typenschild innen im Gerät sowie auf der Energieplakette.

Der QR-Code auf der Energieplakette des Geräts bietet einen Web-Link zu Informationen über die Geräteleistung in der EU EPREL-Datenbank. Bewahren Sie daher die Energieplakette als Referenz zusammen mit dieser Bedienungsanleitung und allen anderen Unterlagen, die mit dem Gerät geliefert wurden, auf.

Es ist auch möglich, die gleichen Informationen in EPREL zu finden, indem Sie den Link <https://eprel.ec.europa.eu> sowie den Modellnamen und die Produktnummer, die Sie auf dem Typenschild des Geräts finden, verwenden.


Beachten Sie den Link [www.theenergylabel.eu](http://www.theenergylabel.eu) bezüglich detaillierter Informationen zur Energieplakette.


## 11. INFORMATIONEN FÜR PRÜFINSTITUTE

Die Installation und die Vorbereitung des Geräts für eine eventuelle EcoDesign-Prüfung müssen mit EN 62552 übereinstimmen. Die Anforderungen an die Belüftung, die Abmessungen der Aussparungen und die Mindestabstände

auf der Rückseite müssen den Angaben in diesem Benutzerhandbuch in Kapitel 3 entsprechen. Für weitere Informationen, einschließlich der Beladungspläne, wenden Sie sich bitte an den Hersteller.

## 12. UMWELTTIPPS

Recyclen Sie Materialien mit dem Symbol . Entsorgen Sie die Verpackung in den entsprechenden Recyclingbehältern. Recyclen Sie zum Umwelt- und Gesundheitsschutz elektrische und elektronische Geräte.

Entsorgen Sie Geräte mit diesem Symbol  nicht mit dem Hausmüll. Bringen Sie das Gerät zu Ihrer örtlichen Sammelstelle oder wenden Sie sich an Ihr Gemeindeamt.





[www.electrolux.com/shop](http://www.electrolux.com/shop)



212002538-A-482020

