



OAB6182EF

EN	User Manual Freezer	2
ES	Manual de instrucciones Congelador	17



Welcome to AEG! Thank you for choosing our appliance.



Get usage advice, brochures, trouble shooter, service and repair information:
www.aeg.com/support

Subject to change without notice.

CONTENTS

1. SAFETY INFORMATION.....	2
2. SAFETY INSTRUCTIONS.....	4
3. INSTALLATION.....	6
4. CONTROL PANEL.....	8
5. DAILY USE.....	9
6. HINTS AND TIPS.....	10
7. CARE AND CLEANING.....	11
8. TROUBLESHOOTING.....	12
9. NOISES.....	15
10. TECHNICAL DATA.....	15
11. INFORMATION FOR TEST INSTITUTES.....	15
12. ENVIRONMENTAL CONCERNS.....	16

1. SAFETY INFORMATION

Before the installation and use of the appliance, carefully read the supplied instructions. The manufacturer is not responsible for any injuries or damage that are the result of incorrect installation or usage. Always keep the instructions in a safe and accessible location for future reference.

1.1 Children and vulnerable people safety

- This appliance can be used by children aged from 8 years and above and persons with reduced physical, sensory or mental capabilities or lack of experience and knowledge if they have been given supervision or instruction concerning the use of the appliance in a safe way and understand the hazards involved. Children aged from 3 to 8 years and persons with very extensive and complex disabilities are allowed to load and unload the appliance provided that they have been properly instructed. Children of less than 3 years

of age should be kept away from the appliance unless continuously supervised.

- Children should be supervised to ensure that they do not play with the appliance.
- Children shall not carry out cleaning and user maintenance of the appliance without supervision.
- Keep all packaging away from children and dispose of it appropriately.

1.2 General Safety

- This appliance is for storing food and beverages only.
- This appliance is designed for single household domestic use in an indoor environment.
- This appliance may be used in, offices, hotel guest rooms, bed & breakfast guest rooms, farm guest houses and other similar accommodation where such use does not exceed (average) domestic usage levels.
- To avoid contamination of food respect the following instructions:
 - do not open the door for long periods;
 - clean regularly surfaces that can come in contact with food and accessible drainage systems;
- **WARNING:** Keep ventilation openings, in the appliance enclosure or in the built-in structure, clear of obstruction.
- **WARNING:** Do not use mechanical devices or other means to accelerate the defrosting process, other than those recommended by the manufacturer.
- **WARNING:** Do not damage the refrigerant circuit.
- **WARNING:** Do not use electrical appliances inside the food storage compartments of the appliance, unless they are of the type recommended by the manufacturer.
- Do not use water spray and steam to clean the appliance.
- Clean the appliance with a moist soft cloth. Only use neutral detergents. Do not use abrasive products, abrasive cleaning pads, solvents or metal objects.

- When the appliance is empty for long period, switch it off, defrost, clean, dry and leave the door open to prevent mould from developing within the appliance.
- Do not store explosive substances such as aerosol cans with a flammable propellant in this appliance.
- If the supply cord is damaged, it must be replaced by the manufacturer, its Authorised Service Centre or similarly qualified persons in order to avoid a hazard.

2. SAFETY INSTRUCTIONS

2.1 Installation

WARNING!

Only a qualified person must install this appliance.

- Remove all the packaging.
- Do not install or use a damaged appliance.
- Do not use the appliance before installing it in the built-in structure due to safety manner.
- Follow the installation instructions supplied with the appliance.
- Always take care when moving the appliance as it is heavy. Always use safety gloves and enclosed footwear.
- Make sure the air can circulate around the appliance.
- At first installation or after reversing the door wait at least 4 hours before connecting the appliance to the power supply. This is to allow the oil to flow back in the compressor.
- Before carrying out any operations on the appliance (e.g. reversing the door), remove the plug from the power socket.
- Do not install the appliance close to radiators or cookers, ovens, or hobs, unless otherwise specified in the installation instructions.
- Do not expose the appliance to the rain.
- Do not install the appliance where there is direct sunlight.
- Do not install this appliance in areas that are too humid or too cold.

- When you move the appliance, lift it by the front edge to avoid scratching the floor.

2.2 Electrical connection

WARNING!

Risk of fire and electric shock.

WARNING!

When positioning the appliance, ensure the supply cord is not trapped or damaged.

WARNING!

Do not use multi-plug adapters and extension cables.

- The appliance must be earthed.
- Make sure that the parameters on the rating plate are compatible with the electrical ratings of the mains power supply.
- Always use a correctly installed shockproof socket.
- Make sure not to cause damage to the electrical components (e.g. mains plug, mains cable, compressor). Contact the Authorised Service Centre or an electrician to change the electrical components.
- The mains cable must stay below the level of the mains plug.
- Connect the mains plug to the mains socket only at the end of the installation. Make sure that there is access to the mains plug after the installation.

- Do not pull the mains cable to disconnect the appliance. Always pull the mains plug.

2.3 Use

WARNING!

Risk of injury, burns, electric shock or fire.



The appliance contains flammable gas, isobutane (R600a), a natural gas with a high level of environmental compatibility. Be careful not to cause damage to the refrigerant circuit containing isobutane.

- Do not change the specification of this appliance.
- Any use of the built-in product as free-standing is strictly prohibited.
- Do not put electrical appliances (e.g. ice cream makers) in the appliance unless they are stated applicable by the manufacturer.
- If damage occurs to the refrigerant circuit, make sure that there are no flames and sources of ignition in the room. Ventilate the room.
- Do not let hot items to touch the plastic parts of the appliance.
- Do not put soft drinks in the freezer compartment. This will create pressure on the drink container.
- Do not store flammable gas and liquid in the appliance.
- Do not put flammable products or items that are wet with flammable products in, near or on the appliance.
- Do not touch the compressor or the condenser. They are hot.
- Do not remove or touch items from the freezer compartment if your hands are wet or damp.
- Do not freeze again food that has been thawed.
- Follow the storage instructions on the packaging of frozen food.
- Wrap the food in any food contact material before putting it in the freezer compartment.
- Do not allow food to come in contact with the inner walls of the appliance compartments.

2.4 Care and cleaning

WARNING!

Risk of injury or damage to the appliance.

- Before maintenance, deactivate the appliance and disconnect the mains plug from the mains socket.
- This appliance contains hydrocarbons in the cooling unit. Only a qualified person must do the maintenance and the recharging of the unit.
- Regularly examine the drain of the appliance and if necessary, clean it. If the drain is blocked, defrosted water collects in the bottom of the appliance.

2.5 Service

- To repair the appliance contact the Authorised Service Centre. Use original spare parts only.
- Please note that self-repair or non-professional repair can have safety consequences and might void the guarantee.
- The following spare parts are available for at least 7 years after the model has been discontinued: thermostats, temperature sensors, printed circuit boards, light sources, door handles, door hinges, trays and baskets. Door gaskets are available for at least 10 years after the model has been discontinued. The duration may be longer in your country. For further information, please visit our website.
- Please note that some of these spare parts are only available to professional repairers, and that not all spare parts are relevant for all models.

2.6 Disposal

WARNING!

Risk of injury or suffocation.

- Disconnect the appliance from the mains supply.
- Cut off the mains cable and discard it.
- Remove the door to prevent children and pets to be closed inside of the appliance.

- The refrigerant circuit and the insulation materials of this appliance are ozone-friendly.
- The insulation foam contains flammable gas. Contact your municipal authority for information on how to discard the appliance correctly.

- Do not cause damage to the part of the cooling unit that is near the heat exchanger.

3. INSTALLATION

⚠ WARNING!

Refer to Safety chapters.

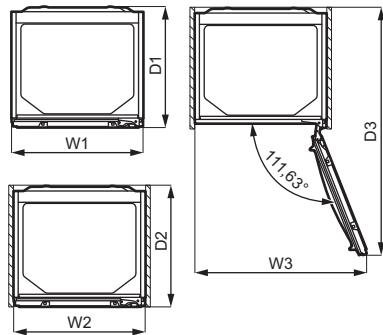
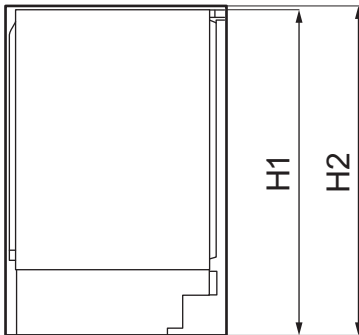
⚠ WARNING!

Refer to installation instruction document to install your appliance.

⚠ WARNING!

Fix the appliance in accordance with installation instruction document to avoid a risk of instability of the appliance.

3.1 Dimensions



Overall dimensions ¹

H1	mm	819
W1	mm	596
D1	mm	547

¹ the height, width and depth of the appliance without the handle

Space required in use ²

H2	mm	820
----	----	-----

Space required in use ²

W2	mm	596
D2	mm	550

² the height, width and depth of the appliance including the handle, plus the space necessary for free circulation of the cooling air

Overall space required in use ³		
H2	mm	820
W3	mm	777
D3	mm	1120

³ the height, width and depth of the appliance including the handle, plus the space necessary for free circulation of the cooling air, plus the space necessary to allow door opening to the minimum angle permitting removal of all internal equipment

3.2 Location

To ensure appliance's best functionality, you should not install the appliance in a place with direct sunlight. Do not install the appliance close to radiators or cookers, ovens, or hobs, unless otherwise specified in the installation instructions.

Make sure that air can circulate freely around the back of the cabinet.

This appliance should be installed in a dry, well ventilated indoor position.

This appliance is intended to be used at ambient temperature ranging from 10°C to 43°C.



The correct operation of the appliance can only be guaranteed within the specified temperature range.



If you have any doubts regarding where to install the appliance, please turn to the vendor, to our customer service or to the nearest Authorised Service Centre.



It must be possible to disconnect the appliance from the mains power supply. The plug must therefore be easily accessible after installation.

3.3 Electrical connection

- Before plugging in, ensure that the voltage and frequency shown on the rating plate correspond to your domestic power supply.
- The appliance must be earthed. The power supply cable plug is provided with a contact for this purpose. If the domestic power supply socket is not earthed, connect the appliance to a separate earth in compliance with current regulations, consulting a qualified electrician.
- The manufacturer declines all responsibility if the above safety precautions are not observed.

3.4 Ventilation requirements



CAUTION!

Appliance must be installed according to installation instruction in order to ensure required ventilation.

3.5 Door reversibility

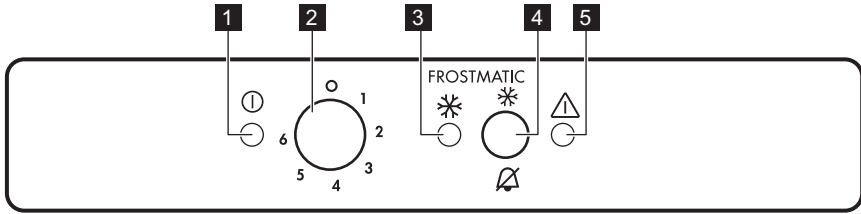
Please refer to the separate document with instructions on installation and door reversal.



CAUTION!

At every stage of reversing the door protect the floor from scratching with a durable material.

4. CONTROL PANEL



- 1 Power indicator light
- 2 Temperature regulator and On/Off switch
- 3 Frostmatic light
- 4 Frostmatic switch and alarm reset switch
- 5 Alarm light

4.1 Switching on

1. Insert the plug into the wall socket.
2. Turn the Temperature regulator clockwise to a medium setting.

If the temperature inside the appliance is too high, the Alarm light will blink and the acoustic alarm will turn on.

3. Push the Frostmatic switch and the acoustic alarm will turn off. The Alarm light will blink until the internal temperature has reached a level required for the safe conservation of frozen food.

4.2 Switching off

1. Turn the Temperature regulator to the "O" position.

The Power indicator light will switch off.

2. Remove the plug from the wall socket.

4.3 Temperature regulation

The temperature is regulated automatically. However, you can set a temperature inside the appliance yourself.

Choose the setting keeping in mind that the temperature inside the appliance depends on:

- room temperature,
- frequency of opening the door,
- quantity of food stored,
- appliance location.

A medium setting is generally the most suitable one.

To operate the appliance:

1. Turn the temperature regulator clockwise to obtain a lower temperature inside the appliance.
2. Turn the temperature regulator counterclockwise to obtain a higher temperature inside the appliance.

4.4 Frostmatic function

The Frostmatic is used to perform pre-freezing and fast freezing in sequence of Freezer compartment. This function accelerates the freezing of fresh food and, at the same time, protects foodstuffs already stored from undesirable warming.



To freeze fresh food activate the Frostmatic function at least 24 hours before placing the food to complete pre-freezing.

To switch on the function:

1. Press the Frostmatic switch for 2-3 seconds to activate the Frostmatic function. The Frostmatic light will switch on.
2. Place the food in the freezing compartment and keep the Frostmatic function switched on for further 24 hours. Refer to "Freezing fresh food" section.



This function stops automatically after 52 hours. It is possible to deactivate the function at any time by pressing the Frostmatic switch for 2-3 seconds.

4.5 High temperature alarm

When there is a temperature increase in the freezer compartment (e.g. due to a power failure) the Alarm light is blinking and sound is on.

The sound can be switched off at any time by pressing the Alarm reset switch.

When normal conditions are restored the Alarm light and the sound turns off automatically.

4.6 Door open alarm

An acoustic alarm sounds when the door is left open for around 80 seconds.

After closing the door, the acoustic alarm stops.

In any case, press the Alarm reset switch to deactivate the acoustic alarm.

5. DAILY USE

5.1 Freezing fresh food

The freezer compartment is suitable for freezing fresh food and storing frozen and deep-frozen food for a long time.

To freeze fresh food activate the Frostmatic function at least 24 hours before placing the food to be frozen in the freezer compartment.

Store the fresh food evenly distributed in the first compartment or drawer from the top.

The maximum amount of food that can be frozen without adding other fresh food during 24 hours is specified on the rating plate (a label located inside the appliance).

When the freezing process is complete, the appliance automatically returns to the previous temperature setting (see "Frostmatic function").

For more information refer to "Hints for freezing".

5.2 Storage of frozen food

When activating an appliance for the first time or after a period out of use, before putting the products in the compartment let the appliance run at least 3 hours with the Frostmatic function switched on.

The freezer drawers ensure that it is quick and easy to find the food package you want.

If large quantities of food are to be stored, remove all drawers, except for the bottom drawer which needs to be in place to provide good air circulation.

Keep the food no closer than 15 mm from the door.

CAUTION!

In the event of accidental defrosting, for example due to a power failure, if the power has been off for longer than the value shown on rating plate under "rising time", the defrosted food must be consumed quickly or cooked immediately then cooled and then re-frozen. Refer to "High temperature alarm".

5.3 Thawing

Deep-frozen or frozen food, prior to being consumed, can be thawed in the refrigerator or inside a plastic bag under cold water.

This operation depends on the time available and on the type of food. Small pieces may even be cooked still frozen.

6. HINTS AND TIPS

6.1 Hints for energy saving


- The internal configuration of the appliance is the one that ensures the most efficient use of energy.
- Do not open the door frequently or leave it open longer than necessary.
- The colder the temperature setting, the higher the energy consumption.
- Ensure a good ventilation. Do not cover the ventilation grilles or holes.

6.2 Hints for freezing

- Activate Frostmatic function at least 24 hours before placing the food inside the freezer compartment.
- Before freezing wrap and seal fresh food in: aluminium foil, plastic film or bags, airtight containers with lid.
- For more efficient freezing and thawing divide food into small portions.
- It is recommended to put labels and dates on all your frozen food. This will help to identify foods and to know when they should be used before their deterioration.
- The food should be fresh when being frozen to preserve good quality. Especially fruits and vegetables should be frozen after the harvest to preserve all of their nutrients.
- Do not freeze bottles or cans with liquids, in particular drinks containing carbon dioxide - they may explode during freezing.
- Do not put hot food in the freezer compartment. Cool it down at room temperature before placing it inside the compartment.
- To avoid increase in temperature of already frozen food, do not place fresh unfrozen food directly next to it. Place food at room temperature in the part of the freezer compartment where there is no frozen food.
- Do not eat ice cubes, water ices or ice lollies immediately after taking them out of the freezer. Risk of frostbites.

- Do not re-freeze defrosted food. If the food has defrosted, cook it, cool it down and then freeze it.

6.3 Hints for storage of frozen food

- Freezer compartment is the one marked with .
- The medium temperature setting ensures good preservation of frozen food products. Higher temperature setting inside the appliance may lead to shorter shelf life.
- The whole freezer compartment is suitable for storage of frozen food products.
- Leave enough space around the food to allow air to circulate freely.
- For adequate storage refer to food packaging label to see the shelf life of food.
- It is important to wrap the food in such a way that prevents water, humidity or condensation from getting inside.

6.4 Shopping tips

After grocery shopping:

- Ensure that the packaging is not damaged - the food could be deteriorated. If the package is swollen or wet, it might have not been stored in the optimal conditions and defrosting may have already started.
- To limit the defrosting process buy frozen goods at the end of your grocery shopping and transport them in a thermal and insulated cool bag.
- Place the frozen foods immediately in the freezer after coming back from the shop.
- If food has defrosted even partially, do not re-freeze it. Consume it as soon as possible.
- Respect the expiry date and the storage information on the package.

6.5 Shelf life

Type of food	Shelf life (months)
Bread	3
Fruits (except citrus)	6 - 12
Vegetables	8 - 10
Leftovers without meat	1 - 2
Dairy food:	
Butter	6 - 9
Soft cheese (e.g. mozzarella)	3 - 4
Hard cheese (e.g. parmesan, cheddar)	6
Seafood:	
Fatty fish (e.g. salmon, mackerel)	2 - 3
Lean fish (e.g. cod, flounder)	4 - 6
Shrimps	12
Shucked clams and mussels	3 - 4
Cooked fish	1 - 2
Meat:	
Poultry	9 - 12
Beef	6 - 12
Pork	4 - 6
Lamb	6 - 9
Sausage	1 - 2
Ham	1 - 2
Leftovers with meat	2 - 3

7. CARE AND CLEANING

WARNING!

Refer to Safety chapters.

7.1 Cleaning the interior

Before using the appliance for the first time, the interior and all internal accessories should be washed with lukewarm water and some neutral soap to remove the typical smell of a brand-new product, then dried thoroughly.

CAUTION!

Do not use detergents, abrasive powders, chlorine or oil-based cleaners as they will damage the finish.

CAUTION!

The accessories and parts of the appliance are not suitable for washing in a dishwasher.

7.2 Periodic cleaning

The equipment has to be cleaned regularly:

1. Clean the inside and accessories with lukewarm water and some neutral soap.
2. Regularly check the door seals and wipe them clean to ensure they are clean and free from debris.
3. Rinse and dry thoroughly.

7.3 Defrosting of the freezer

⚠ CAUTION!

Never use sharp metal tools to scrape off frost from the evaporator as you could damage it.

Do not use a mechanical device or any artificial means to speed up the thawing process other than those recommended by the manufacturer.



About 12 hours prior to defrosting set a lower temperature in order to build up sufficient chill reserve in case of any interruption in operation.

A certain amount of frost will always form on the freezer shelves and around the top compartment.

Defrost the freezer when the frost layer reaches a thickness of about 3-5 mm.

1. Switch off the appliance or pull out electrical plug from the wall socket.
2. Remove any stored food and put it in a cool place.

⚠ CAUTION!

A temperature rise of the frozen food packs during defrosting may shorten their safe storage life.

Do not touch frozen goods with wet hands. Hands can freeze to the goods.

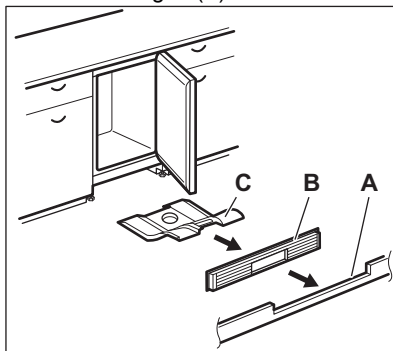
3. Leave the door open. Protect the floor from the defrosting water e.g. with a cloth or a flat vessel.
4. In order to speed up the defrosting process, place a pot of warm water in the freezer compartment. In addition, remove pieces of ice that break away before defrosting is complete.
5. When defrosting is complete, dry the interior thoroughly.

6. Switch on the appliance and close the door.
7. Set the temperature regulator to obtain the maximum coldness and run the appliance for at least 3 hours using this setting.

Only after this time put the food back into the freezer compartment.

7.4 Cleaning the air channels

1. Remove the plinth (A), then the ventilation grid (B).



2. Clean the ventilation grid.
3. Carefully pull the air deflector out (C), checking that there is no water left from the defrosting.
4. Clean the lower part of the appliance with a vacuum cleaner.

7.5 Period of non-operation

When the appliance is not in use for long period, take the following precautions:

1. Disconnect the appliance from electricity supply.
2. Remove all food.
3. Defrost the appliance.
4. Clean the appliance and all accessories.
5. Leave the door open to prevent unpleasant smells.

8. TROUBLESHOOTING

⚠ WARNING!

Refer to Safety chapters.

8.1 What to do if...

Problem	Possible cause	Solution
The appliance does not operate.	The appliance is switched off.	Switch on the appliance.
	The mains plug is not connected to the mains socket correctly.	Connect the mains plug to the mains socket correctly.
The appliance is noisy.	There is no voltage in the mains socket.	Connect a different electrical appliance to the mains socket. Contact a qualified electrician.
	The appliance is not supported properly.	Check if the appliance stands stable.
Acoustic or visual alarm is on.	The cabinet has been recently switched on.	Refer to "High temperature alarm" or "Door open alarm".
	The temperature in the appliance is too high.	Refer to "High temperature alarm" or "Door open alarm".
	The door is left open.	Close the door.
The compressor operates continually.	Temperature is set incorrectly.	Refer to "Control panel" chapter.
	Many food products were put in at the same time.	Wait a few hours and then check the temperature again.
	The room temperature is too high.	Refer to "Installation" chapter.
	Food products placed in the appliance were too warm.	Allow food products to cool to room temperature before storing.
	The door is not closed correctly.	Refer to "Closing the door" section.
The compressor does not start immediately after pressing the "Frostmatic", or after changing the temperature.	The Frostmatic function is switched on.	Refer to "Frostmatic function" section.
	The compressor starts after a period of time.	This is normal, no error has occurred.
Door is misaligned or interferes with ventilation grill.	The appliance is not levelled.	Refer to installation instructions.
Door does not open easily.	You attempted to re-open the door immediately after closing.	Wait a few seconds between closing and re-opening of the door.
There is too much frost and ice.	The door is not closed correctly.	Refer to "Closing the door" section.
	The gasket is deformed or dirty.	Refer to "Closing the door" section.
	Food products are not wrapped properly.	Wrap the food products better.
	Temperature is set incorrectly.	Refer to "Control panel" chapter.
	Appliance is fully loaded and is set to the lowest temperature.	Set a higher temperature. Refer to "Control panel" chapter.

Problem	Possible cause	Solution
	Temperature set in the appliance is too low and the ambient temperature is too high.	Set a higher temperature. Refer to "Control panel" chapter.
Water flows on the floor.	The melting water outlet is not connected to the evaporative tray below the appliance.	Attach the melting water outlet to the evaporative tray.
Temperature cannot be set.	The Frostmatic function is switched on.	Switch off Frostmatic function manually, or wait until the function deactivates automatically to set the temperature. Refer to "Frostmatic function" section.
The temperature in the appliance is too low/too high.	The temperature is not set correctly.	Set a higher/lower temperature.
	The door is not closed correctly.	Refer to "Closing the door" section.
	The food products' temperature is too high.	Let the food products temperature decrease to room temperature before storage.
	Many food products are stored at the same time.	Store less food products at the same time.
	The thickness of the frost is greater than 4-5 mm.	Defrost the appliance.
	The door has been opened often.	Open the door only if necessary.
	The Frostmatic function is switched on.	Refer to "Frostmatic function" section.
	There is no cold air circulation in the appliance.	Make sure that there is cold air circulation in the appliance. Refer to "Hints and tips" chapter.
Power indicator light flashes.	An error has occurred in measuring the temperature.	Contact a qualified electrician or the nearest Authorized Service Centre.



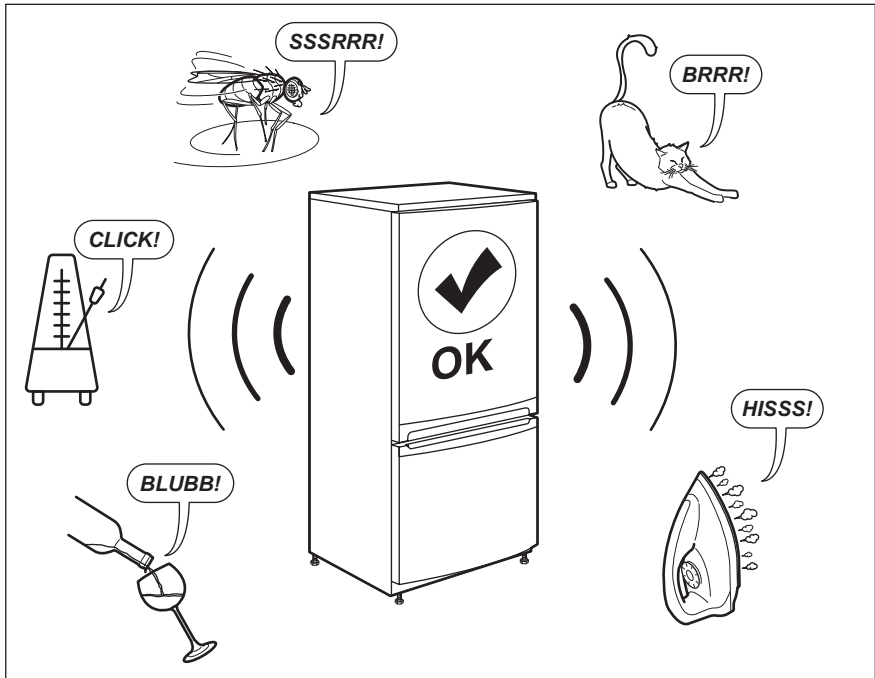
If the advice does not lead to the desired result, call the nearest Authorized Service Centre.

8.2 Closing the door

1. Clean the door gaskets.

2. If necessary, adjust the door. Refer to installation instructions.
3. If necessary, replace the defective door gaskets. Contact the Authorized Service Centre.

9. NOISES



10. TECHNICAL DATA

The technical information is situated in the rating plate on the internal side of the appliance and on the energy label.

The QR code on the energy label supplied with the appliance provides a web link to the information related to the performance of the appliance in the EU EPREL database. Keep the energy label for reference together with the user manual and all other documents provided with this appliance.

It is also possible to find the same information in EPREL using the link <https://eprel.ec.europa.eu> and the model name and product number that you find on the rating plate of the appliance.


See the link www.theenergylabel.eu for detailed information about the energy label.


11. INFORMATION FOR TEST INSTITUTES

Installation and preparation of the appliance for any EcoDesign verification shall be compliant with EN 62552 (EU). Ventilation requirements, recess dimensions and

minimum rear clearances shall be as stated in this User Manual in "Installation". Please contact the manufacturer for any other further information, including loading plans.

12. ENVIRONMENTAL CONCERNS

Recycle materials with the symbol . Put the packaging in relevant containers to recycle it. Help protect the environment and human health by recycling waste of electrical and electronic appliances. Do not dispose of

appliances marked with the symbol  with the household waste. Return the product to your local recycling facility or contact your municipal office.

Le damos la bienvenida a AEG. Gracias por elegir nuestro aparato.



Obtener consejos, folletos, soluciones a problemas e información de servicio y reparación:
www.aeg.com/support

Salvo modificaciones.

CONTENIDO

1. INFORMACIÓN SOBRE SEGURIDAD.....	17
2. INSTRUCCIONES DE SEGURIDAD.....	19
3. INSTALACIÓN.....	21
4. PANEL DE CONTROL.....	23
5. USO DIARIO.....	24
6. CONSEJOS.....	25
7. CUIDADO Y LIMPIEZA.....	27
8. SOLUCIÓN DE PROBLEMAS.....	28
9. RUIDOS.....	31
10. DATOS TÉCNICOS.....	31
11. INFORMACIÓN PARA INSTITUTOS DE PRUEBAS.....	32
12. ASPECTOS MEDIOAMBIENTALES.....	32

1. ⚠ INFORMACIÓN SOBRE SEGURIDAD

Antes de instalar y utilizar el aparato, lea atentamente las instrucciones facilitadas. El fabricante no se hace responsable de lesiones o daños producidos como resultado de una instalación o un uso incorrectos. Conserve siempre estas instrucciones en lugar seguro y accesible para futuras consultas.

1.1 Seguridad de niños y personas vulnerables

- Este aparato puede ser utilizado por niños de 8 años en adelante y personas cuyas capacidades físicas, sensoriales o mentales estén disminuidas o que carezcan de la experiencia y conocimientos suficientes para manejarlo, siempre que cuenten con las instrucciones o la supervisión sobre el uso del electrodoméstico de forma segura y comprendan los riesgos. Los niños de 3 a 8 años y las personas con discapacidades muy extensas y complejas

pueden cargar y descargar el aparato siempre que hayan sido debidamente instruidos. Es necesario mantener alejados del aparato a los niños de menos de 3 años salvo que estén bajo supervisión continua.

- Es necesario vigilar a los niños para que no jueguen con el aparato.
- La limpieza y mantenimiento de usuario del producto no podrán ser realizados por niños sin supervisión.
- Mantenga todo el material de embalaje fuera del alcance de los niños y deséchelo de forma adecuada.

1.2 Instrucciones generales de seguridad

- Este aparato está diseñado únicamente para almacenar alimentos y bebidas.
- Este aparato está diseñado para uso doméstico en interiores.
- Este aparato se puede utilizar en oficinas, habitaciones de hotel, habitaciones de Bed&Breakfast, casas de campo y otros alojamientos similares donde dicho uso no exceda (en promedio) los niveles de uso doméstico.
- Para evitar la contaminación alimentaria, respete las siguientes instrucciones:
 - no abra la puerta durante largos periodos de tiempo;
 - limpie regularmente las superficies que pueden entrar en contacto con los alimentos y los sistemas de drenaje accesibles;
- **ADVERTENCIA:** Mantenga libres de obstrucciones las aberturas de ventilación del alojamiento del aparato o de la estructura empotrada.
- **ADVERTENCIA:** No utilice dispositivos mecánicos u otros medios para acelerar el proceso de descongelación, excepto los recomendados por el fabricante.
- **ADVERTENCIA:** No dañe el circuito de refrigerante.
- **ADVERTENCIA:** No utilice aparatos eléctricos dentro de los compartimentos de almacenamiento de alimentos del

aparato, a menos que sean del tipo recomendado por el fabricante.

- No utilice agua pulverizada ni vapor para limpiar el aparato.
- Limpie el aparato con un paño suave humedecido. Utilice solo detergentes neutros. No utilice productos abrasivos, estropajos duros, disolventes ni objetos de metal.
- Cuando el aparato esté vacío durante un largo período, apáguelo, descongélelo, límpielo, séquelo y deje la puerta abierta para evitar que se desarrolle moho en el interior del aparato.
- No almacene sustancias explosivas tales como latas de aerosol con un propulsor inflamable en este aparato.
- Si el cable de alimentación sufre algún daño, el fabricante, su servicio técnico autorizado o un profesional tendrán que cambiarlo para evitar riesgos.

2. INSTRUCCIONES DE SEGURIDAD

2.1 Instalación

ADVERTENCIA!

Solo un técnico cualificado puede instalar el aparato.

- Retire todo el embalaje.
- No instale ni utilice un aparato dañado.
- No utilice el aparato antes de instalarlo en la estructura empotrada por motivos de seguridad.
- Siga las instrucciones de instalación suministradas con el aparato.
- Tenga cuidado al mover el aparato, porque es pesado. Utilice siempre guantes de protección y calzado cerrado.
- Asegúrese de que el aire pueda circular alrededor del aparato.
- En la primera instalación otras invertir el sentido de apertura de la puerta, espere al menos 4 horas antes de conectar el aparato a la alimentación eléctrica. Esto es para permitir que el aceite regrese al compresor.
- Desenchufe siempre el aparato antes de llevar a cabo cualquier operación, por

ejemplo cambiar el sentido de apertura de la puerta.

- No instale el aparato cerca de radiadores, cocinas, hornos o placas de cocción, a menos que se especifique lo contrario en las instrucciones de instalación.
- No exponga el aparato a la lluvia.
- No instale el aparato en lugares con luz solar directa.
- No instale este aparato en áreas excesivamente húmedas o frías.
- Cuando mueva el aparato, levántelo por el borde delantero para evitar rayar el suelo.

2.2 Conexión eléctrica

ADVERTENCIA!

Riesgo de incendios y descargas eléctricas.

ADVERTENCIA!

Al colocar el producto, asegúrese de que el cable de alimentación no queda atrapado o doblado.

ADVERTENCIA!

No utilice adaptadores múltiples ni cables prolongadores.

- El aparato debe conectarse a tierra.
- Asegúrese de que los parámetros de la placa de características son compatibles con los valores eléctricos del suministro eléctrico.
- Utilice siempre una toma con aislamiento de conexión a tierra correctamente instalada.
- Asegúrese de no provocar daños en los componentes eléctricos (p. ej., enchufe, cable de alimentación, compresor). Póngase en contacto con el Centro de servicio autorizado o un electricista para cambiar los componentes eléctricos.
- El cable de alimentación debe permanecer por debajo del nivel del enchufe.
- Conecte el enchufe a la toma de corriente únicamente cuando haya terminado la instalación. Asegúrese de tener acceso al enchufe del suministro de red una vez finalizada la instalación.
- No desconecte el aparato tirando del cable de conexión a la red. Tire siempre del enchufe.

2.3 Uso

ADVERTENCIA!

Existe riesgo de lesiones, quemaduras, descargas eléctricas o incendios.



El aparato contiene un gas inflamable, isobutano (R600a), un gas natural con alto grado de compatibilidad medioambiental. Tenga cuidado para no dañar el circuito de refrigerante que contiene isobutano.

- No cambie las especificaciones de este aparato.
- Está estrictamente prohibido usar el producto incorporado de forma autónoma.
- No utilice otros aparatos eléctricos (como máquinas de hacer helados) dentro de aparatos de refrigeración, salvo que el fabricante haya autorizado su utilización.

- Si se daña el circuito de refrigerante, asegúrese de que no haya llamas ni fuentes de ignición en la sala. Ventile la sala.
- No deje que los objetos calientes toquen las partes de plástico del aparato.
- No coloque refrescos en el congelador. De esta forma se creará presión en el contenedor de bebidas.
- No almacene gases ni líquidos inflamables en el aparato.
- No coloque productos inflamables o artículos mojados con productos inflamables dentro, cerca o sobre el aparato.
- No toque el compresor ni el condensador. Están calientes.
- No retire ni toque elementos del compartimento del congelador si sus manos están mojadas o húmedas.
- No vuelva a congelar los alimentos que se hayan descongelado.
- Siga las instrucciones del envase de los alimentos congelados.
- Envuelva los alimentos en cualquier material adecuado antes de ponerlos en el congelador.
- No permita que los alimentos entren en contacto con las paredes interiores de los compartimentos del aparato.

2.4 Mantenimiento y limpieza

ADVERTENCIA!

Podría sufrir lesiones o dañar el aparato.

- Antes de proceder con el mantenimiento, apague el aparato y desconecte el enchufe de la red.
- Este equipo contiene hidrocarburos en la unidad de refrigeración. Solo una persona cualificada debe realizar el mantenimiento y la recarga de la unidad.
- Examine periódicamente el desagüe del aparato y límpielo si fuera necesario. Si el desagüe se bloquea, el agua descongelada se acumulará en la base del aparato.

2.5 Asistencia técnica

- Para reparar el aparato, póngase en contacto con el centro de servicio

autorizado. Utilice solamente piezas de recambio originales.

- Tenga en cuenta que la autorreparación o la reparación no profesional puede tener consecuencias de seguridad y podría anular la garantía.
- Los siguientes repuestos están disponibles al menos durante 7 años después de que el modelo se haya retirado del mercado: termostatos, sensores de temperatura, placas de circuito impreso, fuentes de luz, manijas de puertas, bisagras de puertas, bandejas y cestas. Las juntas de las puertas están disponibles al menos durante 10 años tras la retirada del modelo. La duración puede ser mayor en su país. Visite nuestro sitio web para obtener más información.
- Tenga en cuenta que algunas de estas piezas de recambio solo están disponibles para los reparadores profesionales, y que no todas las piezas de recambio son relevantes para todos los modelos.

2.6 Desecho

ADVERTENCIA!

Existe riesgo de lesiones o asfixia.

- Desconecte el aparato de la red.
- Corte el cable de conexión a la red y deséchelo.
- Retire la puerta para evitar que los niños y las mascotas queden encerrados en el aparato.
- El circuito del refrigerante y los materiales aislantes de este aparato no dañan la capa de ozono.
- La espuma aislante contiene gas inflamable. Póngase en contacto con las autoridades locales para saber cómo desechar correctamente el aparato.
- No dañe la parte de la unidad de refrigeración que está cerca del intercambiador de calor.

3. INSTALACIÓN

ADVERTENCIA!

Consulte los capítulos sobre seguridad.

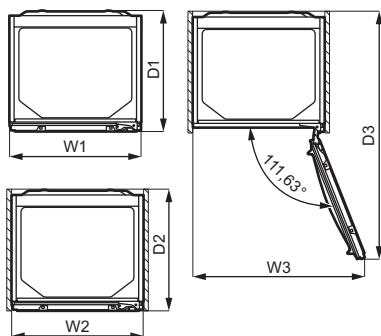
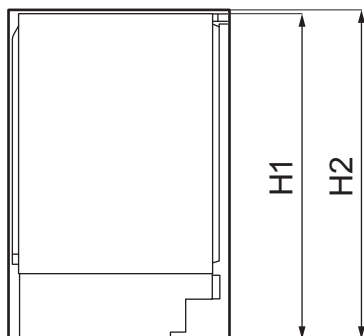
ADVERTENCIA!

Consulte el documento de instrucciones de instalación para instalar su aparato.

ADVERTENCIA!

Fije el aparato de acuerdo con las instrucciones de instalación para evitar el riesgo de inestabilidad.

3.1 Dimensiones



Dimensiones generales ¹

H1	mm	819
W1	mm	596
D1	mm	547

¹ la altura, anchura y profundidad del aparato sin el asa

Espacio necesario en uso ²

H2	mm	820
W2	mm	596
D2	mm	550

² la altura, anchura y profundidad del aparato, incluyendo la manija, más el espacio necesario para la libre circulación del aire de refrigeración

Espacio total necesario en uso ³

H2	mm	820
W3	mm	777
D3	mm	1120

³ la altura, anchura y profundidad del aparato, incluido el mango, más el espacio necesario para la libre circulación del aire de refrigeración, más el espacio necesario para permitir la apertura de la puerta hasta el

ángulo mínimo que permita la extracción de todo el equipo interno

3.2 Ubicación

Para garantizar el mejor funcionamiento del aparato, no debe instalarlo en las proximidades de la fuente de calor (horno, estufas, radiadores, cocinas o fogones) ni en un lugar con luz solar directa. No instale el aparato cerca de radiadores, cocinas, hornos o placas de cocción, a menos que se especifique lo contrario en las instrucciones de instalación.

Asegúrese de que el aire pueda circular libremente alrededor de la parte posterior del armario.

Este aparato debe instalarse en una ubicación interior seca y bien ventilada.

Este aparato está destinado a ser utilizado a una temperatura ambiente que oscila entre 10°C y 43°C.



Solo se puede garantizar el correcto funcionamiento del aparato dentro del rango de temperatura especificado.



Si tiene cualquier duda respecto al lugar de instalación del aparato, consulte al vendedor, a nuestro servicio de atención al cliente o al centro de servicio autorizado más cercano.



Puede que en algún momento sea necesario desconectar el aparato de la toma de corriente. Por lo que el enchufe debe quedar accesible tras la instalación del aparato.

3.3 Conexión eléctrica

- Antes de enchufarlo, asegúrese de que la tensión y la frecuencia indicadas en la placa de características se correspondan con la fuente de alimentación doméstica.
- El aparato debe estar conectado a tierra. El enchufe del cable de alimentación se suministra con un contacto para este fin. Si la toma de corriente doméstica no está conectada a tierra, conecte el aparato a una toma de tierra independiente de

acuerdo con la normativa vigente, con el asesoramiento de un electricista cualificado.

- El fabricante declina toda responsabilidad si no se respetan las precauciones de seguridad anteriores.

3.4 Requisitos de ventilación

PRECAUCIÓN!

El aparato debe ser instalado de acuerdo con las instrucciones de instalación para asegurar la ventilación necesaria.

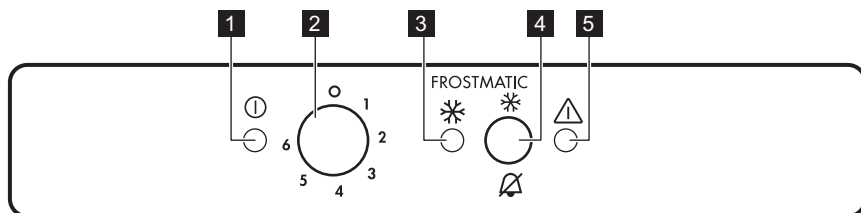
3.5 Cambio del sentido de apertura de la puerta

Consulte el documento separado con instrucciones de instalación y de inversión de la puerta.

PRECAUCIÓN!

En todas las fases del cambio de sentido de la puerta, proteja la puerta de arañazos con un material resistente.

4. PANEL DE CONTROL



- 1 Indicador de potencia
- 2 Regulador de la temperatura e interruptor de Encendido/Apagado
- 3 Luz Frostmatic
- 4 Interruptor Frostmatic e interruptor de restablecimiento de alarma
- 5 Luz de alarma

4.1 Encendido

1. Enchufe el aparato a la toma de corriente.
2. Gire el regulador de temperatura hacia la derecha, a un ajuste intermedio. Si la temperatura interior del aparato es demasiado elevada, parpadeará la luz de alarma y sonará la alarma acústica.
3. Pulse el interruptor Frostmatic para desactivar la alarma acústica. La luz de alarma parpadeará hasta que la temperatura interna haya alcanzado el

nivel necesario para la correcta conservación de los alimentos congelados.

4.2 Apagado

1. Gire el regulador de temperatura a la posición "O".

El indicador de encendido se apaga.

2. Desenchufe el aparato de la toma de corriente.

4.3 Regulación de temperatura

La temperatura se regula automáticamente. Sin embargo, puede configurar la temperatura del aparato usted mismo.

El ajuste debe elegirse teniendo en cuenta que la temperatura interior del aparato depende de:

- temperatura ambiente,
- frecuencia de apertura de la puerta,
- cantidad de alimentos guardados,
- ubicación del aparato.

Lo más conveniente es ajustar la temperatura en una posición intermedia.

Para utilizar el aparato:

1. Gire el regulador de temperatura hacia la derecha para obtener una temperatura más baja en el aparato.
2. Gire el regulador de temperatura hacia la izquierda para obtener una temperatura más alta en el aparato.

4.4 Frostmatic función

La función Frostmatic se utiliza para realizar una congelación previa y una congelación rápida en orden del compartimento congelador. Esta función acelera la congelación de alimentos frescos e impide que se calienten los alimentos ya almacenados.



Para congelar alimentos frescos, active la función Frostmatic al menos 24 horas antes de colocar los alimentos para completar la precongelación.

Para activar la función:

1. Pulse el interruptor Frostmatic durante 2-3 segundos para activar la función Frostmatic. Se enciende el indicador Frostmatic.
2. Coloque los alimentos en el compartimento congelador y deje la función Frostmatic durante otras 24 horas. Consulte la sección "Congelación de alimentos frescos".



Esta función se detiene automáticamente después de 52 horas. La función se puede desactivar en cualquier momento pulsando el interruptor Frostmatic durante 2-3 segundos.

4.5 Alarma de temperatura alta

Cuando se produce un aumento de la temperatura en el compartimento congelador (por ejemplo, debido a un fallo de alimentación eléctrica), la luz de alarma parpadea y el sonido se activa.

El sonido se puede parar en cualquier momento pulsando el interruptor de restablecimiento de la alarma .

Una vez restablecidas las condiciones normales, la luz de alarma y el sonido se apagan automáticamente.

4.6 Alarma de puerta abierta

Suena una alarma acústica si la puerta se queda abierta durante aproximadamente 80 segundos.

Después de cerrar la puerta, la alarma acústica se detiene.

En cualquier caso, pulse el interruptor de restablecimiento de la alarma para desactivar la alarma acústica.

5. USO DIARIO

5.1 Congelación de alimentos frescos

El compartimento del congelador es adecuado para congelar alimentos frescos y conservar a largo plazo los alimentos congelados y ultracongelados.

Para congelar alimentos frescos, active la función Frostmatic al menos 24 horas antes de introducir los alimentos a congelar en el compartimento congelador.

Guarde los alimentos frescos distribuidos uniformemente en el primer compartimento o cajón desde la parte superior.

La cantidad máxima de alimentos que pueden congelarse sin añadir otros alimentos frescos durante 24 horas, se indica en la placa de datos técnicos (una etiqueta situada en el interior del aparato).

Cuando haya finalizado el proceso de congelación, el aparato vuelve automáticamente al ajuste de temperatura anterior (consulte "Función Frostmatic").

Para obtener más información, consulte "Sugerencias para congelar".

5.2 Almacenamiento de alimentos congelados

Al activar un aparato por primera vez o después de un periodo sin uso, déjelo en marcha al menos durante 3 horas antes de colocar productos en el compartimento con la función Frostmatic encendida.

Los cajones del congelador le aseguran una búsqueda rápida y fácil de los alimentos que desea encontrar.

Si se va a guardar una gran cantidad de alimentos, retire todos los cajones, excepto el cajón inferior, que debe permanecer en su sitio para una buena circulación del aire.

Todos los alimentos deben estar como mínimo a 15 mm de la puerta.

PRECAUCIÓN!

En caso de que se produzca una descongelación accidental, por ejemplo, por un corte del suministro eléctrico, si la interrupción ha sido más prolongada que el valor indicado en la placa de características bajo el "tiempo de elevación", los alimentos descongelados se deben consumir rápidamente o cocinar de inmediato y luego volverse a congelar. Consulte "Alarma de temperatura alta".

5.3 Descongelación

Los alimentos ultracongelados o congelados, antes de consumirlos, pueden descongelarse en el frigorífico o dentro de una bolsa de plástico bajo agua fría.

Esta operación depende del tiempo disponible y del tipo de alimento. Los trozos pequeños pueden incluso cocinarse aún congelados.

6. CONSEJOS

6.1 Consejos para ahorrar energía

- La configuración interna del aparato es la que garantiza el uso más eficiente de la energía.
- No abra la puerta con frecuencia ni la deje abierta más tiempo del necesario.
- Cuanto más fría sea la temperatura ajustada, mayor será el consumo de energía.
- Asegure una buena ventilación. No cubra las rejillas o los orificios de ventilación.


6.2 Sugerencias para congelar

- Active la función Frostmatic al menos 24 horas antes de introducir los alimentos en el compartimento congelador.
- Antes de congelar envuelva y selle los alimentos frescos en: papel de aluminio, film o bolsas de plástico, recipientes herméticos con tapa.
- Para congelar y descongelar con más eficacia, divida la comida en porciones pequeñas.
- Se recomienda poner etiquetas y fechas en todos sus alimentos congelados. Esto

ayudará a identificar los alimentos y a saber cuándo deben utilizarse antes de su deterioro.

- Los alimentos deben ser frescos al congelarlos para preservar la buena calidad. Especialmente las frutas y verduras deben ser congeladas después de cosecharlos para preservar todos sus nutrientes.
- No congele las botellas o latas con líquidos, en particular las bebidas que contienen dióxido de carbono, ya que pueden explotar durante la congelación.
- No coloque alimentos calientes en el compartimiento del congelador. Enfríelos a temperatura ambiente antes de colocarlos dentro del compartimiento.
- Para evitar aumentos en la temperatura de comida ya congelada, no coloque comida no congelada justo al lado. Coloque los alimentos a temperatura ambiente en la parte del compartimiento del congelador donde no hay alimentos congelados.
- No coma cubitos de hielo, sorbetes o helados inmediatamente después de sacarlos del congelador. Existe riesgo de quemaduras.
- No vuelva a congelar los alimentos descongelados. Si la comida se ha descongelado, cocínala, enfríela y luego congelela.

6.3 Consejos para el almacenamiento de alimentos congelados

- El compartimiento congelador es el marcado con .
- El ajuste de temperatura medio garantiza una buena conservación de los alimentos congelados.

6.5 Vida útil

Tipo de alimento	Vida útil (meses)
Pan	3
Frutas (excepto cítricos)	6 - 12
Verduras	8 - 10
Sobras sin carne	1 - 2

Una temperatura más alta en el interior del aparato puede reducir la vida útil.

- Todo el compartimiento congelador es adecuado para el almacenamiento de alimentos congelados.
- Deje suficiente espacio alrededor de los alimentos para permitir que el aire circule libremente.
- Para un almacenamiento adecuado, consulte la etiqueta de los envases de los alimentos para ver su vida útil.
- Es importante envolver los alimentos de tal manera que se evite que el agua, la humedad o la condensación entren en su interior.

6.4 Consejos de compra

Después de la compra:

- Asegúrese de que el envase no esté dañado - los alimentos podrían estar deteriorados. Si el paquete está hinchado o mojado, es posible que no se haya almacenado en condiciones óptimas y que la descongelación ya haya comenzado.
- Para limitar el proceso de descongelación, compre los productos congelados al final de su compra en el supermercado y transpórtelos en una bolsa térmica y aislada.
- Ponga los alimentos congelados inmediatamente en el congelador después de volver de la tienda.
- Si la comida se ha descongelado aunque sea parcialmente, no la vuelva a congelar. Se debe consumir lo antes posible.
- Respete la fecha de caducidad y la información de almacenamiento del paquete.

Tipo de alimento	Vida útil (meses)
Lácteos:	
Mantequilla	6 - 9
Queso blando (p. ej. mozzarella)	3 - 4
Queso duro (p. ej. parmesano, cheddar)	6
Marisco:	
Pescado graso (p. ej. salmón, caballa)	2 - 3
Pescado magro (p. ej. bacalao, platija)	4 - 6
Langostinos	12
Almejas y mejillones desconchados	3 - 4
Pescado cocinado	1 - 2
Carne:	
Aves	9 - 12
Vacuno	6 - 12
Cerdo	4 - 6
Cordero	6 - 9
Salchichas	1 - 2
Jamón	1 - 2
Sobras con carne	2 - 3

7. CUIDADO Y LIMPIEZA

ADVERTENCIA!

Consulte los capítulos sobre seguridad.

7.1 Limpieza del interior

Antes de utilizar el aparato por primera vez, lave el interior y todos los accesorios internos con agua templada y un jabón neutro para eliminar el típico olor de un producto nuevo y a continuación seque bien.

PRECAUCIÓN!

No utilice detergentes, polvos abrasivos ni limpiadores a base de cloro o aceite, ya que podrían dañar el acabado.

PRECAUCIÓN!

Los accesorios y las piezas del aparato no deben lavarse en lavavajillas.

7.2 Limpieza periódica

El equipo debe limpiarse de forma regular:

1. Limpie el interior y los accesorios con agua templada y un jabón neutro.

2. Revise y limpie periódicamente las juntas de la puerta para mantenerlas limpias y sin restos.
3. Aclare y seque a fondo.

7.3 Descongelación del congelador

PRECAUCIÓN!

No utilice herramientas metálicas afiladas para raspar la escarcha del evaporador, ya que podría dañarlo. No utilice dispositivos mecánicos ni medios artificiales para acelerar el proceso de descongelación, excepto los recomendados por el fabricante.



Unas 12 horas antes de realizar la descongelación, ajuste una temperatura más baja con el fin de acumular frío suficiente en caso de una interrupción del funcionamiento.

Siempre se formará cierta cantidad de escarcha en los estantes del congelador y alrededor del compartimento superior.

Descongela el congelador cuando la capa de escarcha alcance un grosor de unos 3-5 mm.

1. Apague el aparato o desconecte el enchufe de la toma de corriente.
2. Retire cualquier alimento almacenado y póngalo en un lugar fresco.

⚠ PRECAUCIÓN!

El aumento de la temperatura de los paquetes de alimentos congelados durante la descongelación puede acortar su tiempo de almacenamiento.

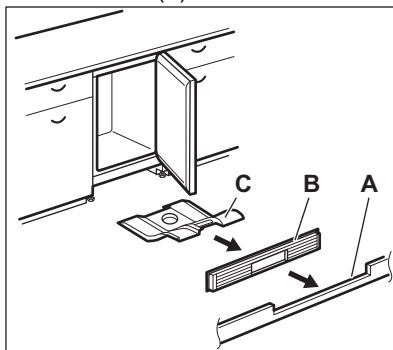
No toque los alimentos congelados con las manos mojadas. Podrían congelarse al contacto con los alimentos.

3. Deje la puerta abierta. Proteja el suelo del agua de la descongelación p. ej., con un paño o recipiente plano.
4. Para acelerar el proceso de descongelación, coloque un recipiente de agua tibia en el compartimento congelador. Debes retirar además los trozos de hielo que se desprendan antes de que finalice la descongelación.
5. Cuando la descongelación haya terminado, seque a fondo el interior del aparato.
6. Encienda el aparato y cierre la puerta.
7. Ajuste el regulador de temperatura para obtener el máximo frío y haga funcionar el aparato durante al menos 3 horas con dicho ajuste.

Solo después de este tiempo vuelva a poner la comida en el congelador.

7.4 Limpieza de los canales de aire

1. Retirar el zócalo (A), luego la rejilla de ventilación (B).



2. Limpiar la rejilla de ventilación.
3. Sacar con cuidado el deflector de aire (C), comprobando que no quede agua de la descongelación.
4. Limpiar la parte inferior del aparato con una aspiradora.

7.5 Periodos sin funcionamiento

Si el aparato no se utiliza durante un tiempo prolongado, tome las siguientes precauciones

1. Desconecte el aparato del suministro eléctrico.
2. Retire todos los alimentos.
3. Descongele el aparato.
4. Limpie el aparato y todos los accesorios.
5. Deje la puerta abierta para evitar olores desagradables.

8. SOLUCIÓN DE PROBLEMAS

⚠ ADVERTENCIA!

Consulte los capítulos sobre seguridad.

8.1 Qué hacer si...

Problema	Posible causa	Solución
El aparato no funciona.	El aparato está apagado.	Encienda el aparato.

Problema	Posible causa	Solución
	El enchufe no está bien conectado a la toma de corriente.	Conecte el aparato a la toma de corriente correctamente.
	No hay tensión en la toma de corriente.	Conecte un aparato diferente a la de corriente. Póngase en contacto con un electricista cualificado.
El aparato hace ruido.	El aparato no está bien apoyado.	Compruebe que los soportes del aparato están estables.
La alarma audible o visual está activada.	El armario se ha encendido hace poco.	Consulte "Alarma de temperatura alta" o "Alarma de puerta abierta".
	La temperatura del aparato es demasiado alta.	Consulte "Alarma de temperatura alta" o "Alarma de puerta abierta".
	La puerta se queda abierta.	Cierre la puerta.
El compresor funciona continuamente.	La temperatura se ha ajustado de manera incorrecta.	Consulte el capítulo "Panel de control".
	Se han introducido muchos alimentos al mismo tiempo.	Espere unas horas y vuelva a comprobar la temperatura.
	La temperatura ambiente es demasiado alta.	Consulte el capítulo "Instalación".
	Los alimentos introducidos en el aparato estaban demasiado calientes.	Deje que los alimentos se enfríen a temperatura ambiente antes de guardarlos.
	La puerta no está bien cerrada.	Consulte la sección "Cierre de la puerta".
	La función Frostmatic está activada.	Consulte la sección "Función Frostmatic".
El compresor no se pone en marcha inmediatamente después de pulsar "Frostmatic", o tras cambiar la temperatura.	El compresor se pone en marcha al cabo de cierto tiempo.	Esto es normal, no se ha producido ningún error.
La puerta está mal alineada o interfiere con la rejilla de ventilación.	El aparato no está nivelado.	Consulte las instrucciones de instalación.
La puerta no se abre fácilmente.	Ha intentado volver a abrir la puerta inmediatamente después de cerrarla.	Espere unos segundos entre el cierre y la reapertura de la puerta.
Hay demasiada escarcha y hielo.	La puerta no está bien cerrada.	Consulte la sección "Cierre de la puerta".
	La junta de la puerta está sucia o deformada.	Consulte la sección "Cierre de la puerta".
	Los alimentos no están bien envueltos.	Envuelva mejor los productos.
	La temperatura se ha ajustado de manera incorrecta.	Consulte el capítulo "Panel de control".

Problema	Posible causa	Solución
	El aparato está completamente cargado y ajustado a la temperatura más baja.	Seleccione una temperatura más alta. Consulte el capítulo "Panel de control".
	La temperatura ajustada en el aparato es demasiado baja y la temperatura ambiente demasiado alta.	Seleccione una temperatura más alta. Consulte el capítulo "Panel de control".
El agua fluye por el suelo.	La salida de agua de descongelación no está conectada a la bandeja de evaporación situada debajo del aparato.	Acople la salida de agua de descongelación a la bandeja de evaporación.
No se puede ajustar la temperatura.	La función Frostmatic está activada.	Apague manualmente la función Frostmatic, o espere hasta que la función se desactive automáticamente antes de ajustar la temperatura. Consulte la sección "Función Frostmatic".
La temperatura del aparato es demasiado baja/alta.	La temperatura no se ha ajustado correctamente.	Seleccione una temperatura más alta/más baja.
	La puerta no está bien cerrada.	Consulte la sección "Cierre de la puerta".
	La temperatura de los productos es demasiado alta.	Deje que la temperatura de los alimentos descienda a la temperatura ambiente antes de guardarlos.
	Se han guardado muchos alimentos al mismo tiempo.	Guarde menos alimentos al mismo tiempo.
	El grosor de la escarcha es superior a 4-5 mm.	Descongele el aparato.
	La puerta se ha abierto con frecuencia.	Abra la puerta sólo si es necesario.
	La función Frostmatic está activada.	Consulte la sección "Función Frostmatic".
	No hay circulación de aire frío en el aparato.	Asegúrese de que el aire frío circula libremente en el aparato. Consulte el capítulo "Consejos".
El indicador de funcionamiento parpadea.	Se ha producido un error al medir la temperatura.	Llame a un electricista homologado o al centro de servicio técnico autorizado más cercano.



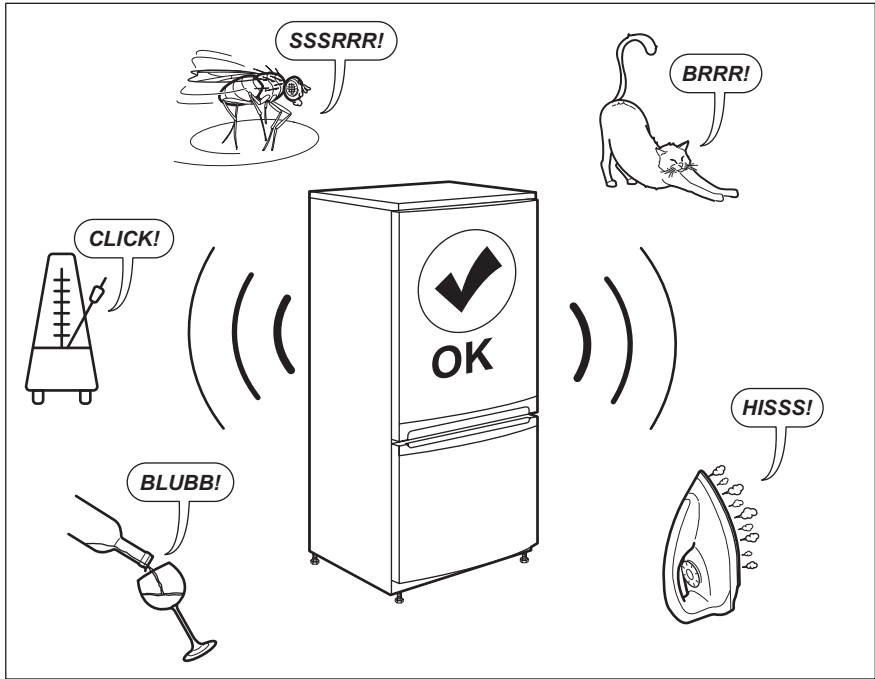
Si el consejo anterior no ofrece resultados, llame al servicio técnico autorizado más cercano.

8.2 Cierre de la puerta

1. Limpie las juntas de la puerta.

2. Si es necesario, ajuste la puerta. Consulte las instrucciones de instalación.
3. Si es necesario, cambie las juntas defectuosas de la puerta. Póngase en contacto con el servicio técnico autorizado.

9. RUIDOS



10. DATOS TÉCNICOS

La información técnica se encuentra en la placa de datos técnicos situada en el interior del aparato y en la etiqueta de consumo energético.

El código QR de la etiqueta energética suministrada con el aparato proporciona un enlace web a la información relacionada con el rendimiento del aparato en la base de datos EPREL de la UE. Guarde la etiqueta energética como referencia junto con el manual de usuario y todos los demás documentos que se proporcionan con este aparato.

También puede encontrar la misma información en EPREL accediendo desde el enlace <https://eprel.ec.europa.eu> e introduciendo el nombre del modelo y el número de producto que se encuentran en la placa de datos técnicos del aparato.


Consulte el enlace www.theenergylabel.eu para obtener información detallada sobre la etiqueta energética.


11. INFORMACIÓN PARA INSTITUTOS DE PRUEBAS

La instalación y la preparación del aparato para cualquier verificación de EcoDesign deberá cumplir con EN 62552 (EU). Los requisitos de ventilación, las dimensiones de los huecos y las separaciones mínimas traseras serán los indicados en este manual

de usuario en "Instalación". Por favor, póngase en contacto con el fabricante para cualquier otra información adicional, incluyendo los planos de carga.

12. ASPECTOS MEDIOAMBIENTALES

Recicle los materiales con el símbolo . Coloque el material de embalaje en los contenedores adecuados para su reciclaje. Ayude a proteger el medio ambiente y la salud pública, así como a reciclar residuos de aparatos eléctricos y electrónicos. No

deseche los aparatos marcados con el símbolo  junto con los residuos domésticos. Lleve el producto a su centro de reciclaje local o póngase en contacto con su oficina municipal.







aeg.com

211629875-A-042024



CE