

项目名称

T2417 (瑞典规)

版本号

MP 1.0

设计时间

20241216

物料名称

重要信息说明书

设计师

张紫安

审核

吴东东 20241130

批准

吴东东 20241130

料号

40150500000685

材质工艺要求:

材质要求: 封面 157g 哑粉纸, 过哑油; 内页 68g 晨鸣云镜, 胶装

颜色及专色: Pantone Cool Gray 11C

尺寸要求: 140*140mm

认证要求: 测试标准: 包装指令 94/62/EC

变更履历:



NAVEE Electric Scooter

EasyRide 20

EN Important Information

FR Informations importantes

DE Wichtige Informationen

PT Informações importantes

PL Ważne informacje

1. Safety Instructions

Original instructions

IMPORTANT! Please read carefully before using the product and keep for future reference. For detailed e-manual, please visit www.naveetech.com

This appliance is not intended for use by persons (including children) with reduced physical, sensory or mental capabilities, or lack of experience and knowledge, unless they have been given supervision or instruction concerning use of the appliance by a person responsible for their safety.

Children should be supervised to ensure that they do not play with the appliance.

This appliance is intended for riders older than 8 years and persons with physical and persons with reduced physical, sensory or mental capabilities or lack of experience and knowledge if they have been given supervision or instruction concerning use of the appliance in a safe way and understand the hazards involved.

Children shall not play with the appliance. Cleaning and user maintenance shall not be made by children without supervision.

The appliance is only to be used with the power supply unit provided with the appliance.

Before riding, please wear helmets, hand/wrist pads/knee pads, elbow pads, and other protective gear at all times.

The scooter shall be used by one person only. Obligation to always wear shoes. Do not divert the use of the vehicle.

This product is for personal riding only and is not intended for acrobatic or stunt use.

The product is recommended for riders above age of 16 and below age of 50. People who are not suitable for riding this product include: (1) persons under the influence of alcohol or drugs, (2) persons unable to engage in strenuous physical activities due to health or physical conditions, (3) persons who are incapable of keeping their balance or who cannot keep their balance due to impaired motor skills, (4) persons whose size exceeds the weight limit, (5) women who are pregnant, (6) persons who suffer from visual and/or hearing impairments.

Comply with local laws and regulations when riding this product. Do not ride where prohibited by local laws.

When riding in countries and regions where there are no relevant national standards and regulations for electric scooters, please be sure to strictly abide by the safety requirements for drivers in this operation manual. SPACEWALKER PTE. LTD. will not bear any direct responsibility and joint and several liability for all property, personal losses, accidents, legal disputes, and all other adverse events that cause conflicts of interest caused by the use of behaviors in violation of the instructions for use.

Do not ride in traffic lanes or residential areas where vehicles and pedestrians are both allowed. When passing through a place designated for pedestrians who are entitled to the right-of-way laws like crosswalk, please get off to walk along with the scooter.

Do not choose places where children, pedestrians, pets, vehicles, bicycles or other obstacles and potential dangers may appear for your first ride.

Required preparations for using this product include: ensuring the steering system is properly adjusted, that all connected accessories (such as the folding system) are properly tightened and undamaged, and that the brakes and wheels are in good condition.

- Perform a basic inspection of the electric scooter before each ride. If there are abnormal conditions such as loose parts, low battery alerts, flat tires or excessive wear of tires, strange sounds, malfunctions and other abnormal conditions, stop riding immediately and call for professional support.
- Take the time to learn the basics of the practice to avoid any serious accident that can take place in the first months. Information on practice and safe use (can be found on the website: www.naveetech.com)
- To ride safely, you must be able to clearly see what is in front of you and you must be clearly visible to others.
- Do not ride in bad weather, low visibility, or after intense physical exertion.
- Do turn on the headlight and slow down the speed when you ride at dark.
- Make sure that the kickstand is positioned on a flat surface and the kick scooter is stable enough to stand alone before leaving it.
- This electric scooter is a leisure device. However, when entering a public area, it will be considered a means of transportation and subject to possible safety risks for all means of transportation. Riding in strict accordance with the instructions in this manual will protect you and others to the greatest extent.
- The user should check the limits of use in accordance with the local regulations. Ride the scooter on the roads or areas permitted by local regulations and laws and park it in the areas permitted. If the local regulations and laws have different provisions on the maximum speed, the local regulations and laws will prevail. Please respect and follow the road safety and vehicle rules.
- Respect pedestrians' Right of Way. Try not to startle them while driving, especially children. When you ride from behind pedestrians, ring your bell to give them a heads-up and slow your scooter down to pass from their left, and keep to the right at a low speed while riding across them (applicable to countries where vehicles drive on the right). When you drive across pedestrians, keep the lowest speed or getting off the vehicle.
- In any case, anticipate your trajectory and your speed while respecting the code of the road, the code of the sidewalk and the most vulnerable. Notify your presence when approaching a pedestrian or cyclist when you are not seen or heard. Cross the protected passages while walking. Cross the protected passages while walking. Avoid high traffic areas or overcrowded areas.
- Riding with high speed or a speed that is not appropriate or adequate for the situation (bad weather conditions, bad surface conditions, or the like) may lead into a potential loss of stability or loss of control. To reduce any risk, you must follow all instructions in this manual. Be careful when mounting and dismantling the product, it may fall and cause injury.
- Traffic in the city has many obstacles to cross such as curbs or steps. It is recommended to avoid obstacle jumps. It is important to anticipate and adapt your trajectory and speed to those of a pedestrian before crossing these obstacles. It is also recommended to get out of the vehicle when these obstacles become dangerous due to their shape, height or slippage.
- Do not lend your scooter to whoever does not know the operations. Before lending the electric scooter to others, please make sure that the rider has read this instruction manual and watched the instruction video, and understood the basic operation. Remind riders to wear safety protection correctly to ensure the safety of riders.
- Contact your seller for appropriate training organizations.
- In all cases, take care of yourself and others.
- Any load attached to the handlebar will affect the stability of the vehicle.
- Do not touch the brake system, it could cause injuries due to sharp edges. The brake may become hot in use. Do not touch after use.

- The A-weighted emission sound pressure level is less than 70 dB(A).
- The mechanical vibrations transmitted by KickScooter are less than 2.5 m/s².
- For a better riding experience, it is recommended to carry out a regular maintenance of the product.
- Eliminate any sharp edges caused by use.
- Accessories and any additional items which are not approved by the manufacturer shall not be used.
- Regular maintenance of the vehicle is a factor of safety.
- The self-tightening nuts as well as the other self-tightening fastenings may lose their efficiency and that they may need to be retightened.
- Regularly check the tightening of the various bolted elements, in particular the wheel axles, the folding system, the steering system and the brake shaft.
- Do not modify or transform the vehicle, including the steering tube and sleeve, stem, folding mechanism and rear brake.
- Do not make any modifications that are not noted in the instructions.
- Make sure the scooter is turned off when being transported and kept in its original packaging if possible.
- In order to avoid accidental injuries such as electric shock and fire caused by improper use, please read the instructions carefully before use, and keep them properly for future reference.
- Please use this product in accordance with the instructions in the User Manual. Users are responsible for any loss or damage arising from improper use of this product.
- Power-off the vehicle during charging, or into a certain nonoperational mode.
- Do not charge if the charge port or charge cable is wet. Read this manual carefully before charging.
- Do not charge the scooter at an ambient temperature above 40°C or below 0°C.
- Please keep a safe distance when the scooter is driving on a level/no slope road. The braking distance will increase in wet weather.
- The shock absorption of this product is not adjustable (if applicable).
- The appliance is not intended for use at elevations greater than 2000 m above sea level.
- The appliance shall be disconnected from its power source during service and when replacing parts.
- The external flexible cable or cord of this transformer cannot be replaced; if the cord is damaged, the transformer shall be scrapped.
- If the external flexible cable or cord of this transformer is damaged, it shall be replaced by the manufacturer or their service agent or a similarly qualified person in order to avoid a hazard.
- If the supply cord is damaged, it must be replaced by the manufacturer, its service agent or similarly qualified persons in order to avoid a hazard.
- This product contains batteries that can only be replaced by qualified technicians or after-sales service
- This appliance contains batteries that are only replaceable by skilled persons.

WARNING! For the purposes of recharging the battery, only use the detachable supply unit provided with this appliance. Do not use a battery charger from any other product. Keep a safe

distance from the surrounding combustibles when charging, the vehicle must be placed in a well-ventilated area.

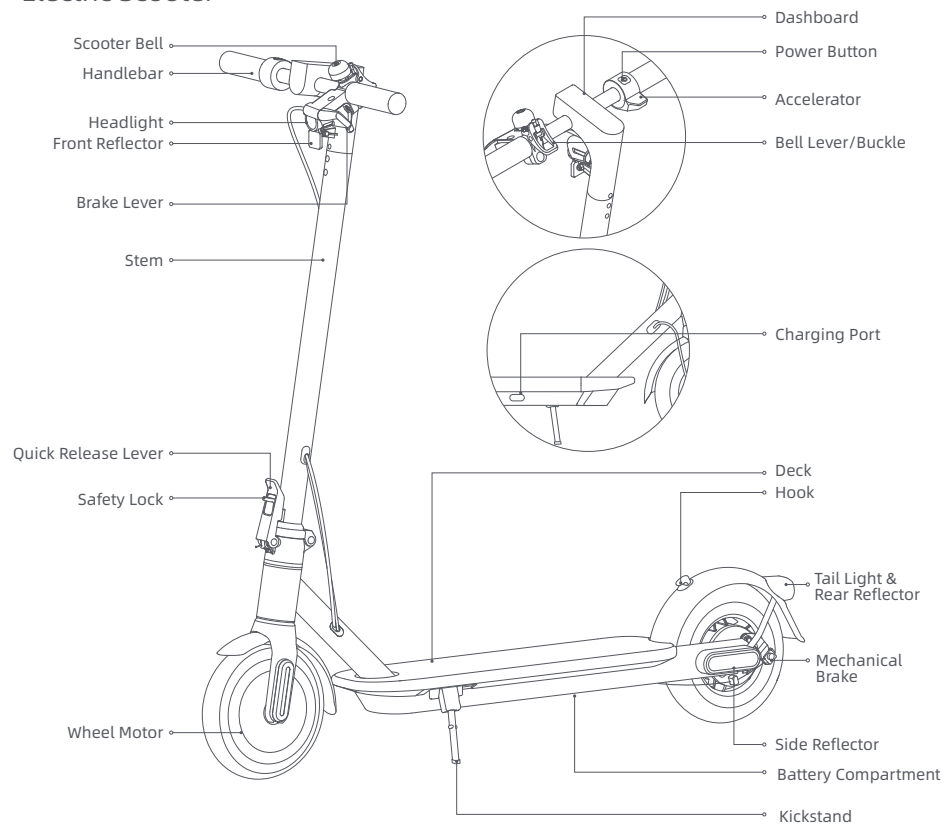
- **WARNING! Do not use any third-party battery or battery charger. Use only with FY0422521500E supply unit.**
- **WARNING! Keep plastic covering away from children to avoid suffocation.**
- **WARNING! Never use the product close to a water source.**
- **WARNING! Stop using the product when damaged.**
- **WARNING! As with any mechanical component, a vehicle is subject to high stresses and wear. The various materials and components may react differently to wear or fatigue. If the expected service life for a component has been exceeded, it may break suddenly, therefore risking causing injuries to the user. Cracks, scratches and discoloration in the areas subject to high stresses indicate that the component has exceeded its service life and please contact an authorized or a specialized repairer.**

Watch out for hand crush and pinch points hazards in the following positions during use:

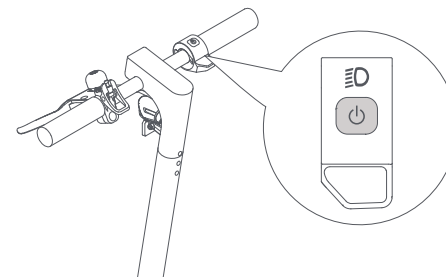
1. Between the handlebar and the stem when installing the handlebar.
2. Openings on the wheels.
3. Between the front mudguard and the deck.
4. Between the quick release lever and the quick release lever lock, and between the folding joint and the stem when folding or unfolding.
5. Between the mudguards and the wheels.



2. Product Overview

Electric Scooter

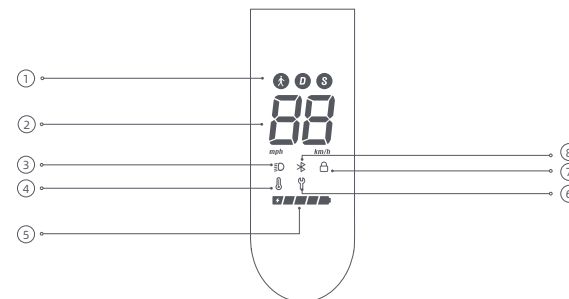



Power on/off



Press the button  to turn the scooter on, and hold the button  for 2 to 3 seconds to turn the scooter off. When the scooter is on, press twice to change riding modes.

Dashboard



- ① Riding Modes:  is for walking mode, and its maximum speed is 6 km/h. D is for standard mode. S is for sport mode.
- ② Speedometer: It displays the current speed when the scooter is working. When the scooter has an issue, it displays an error code. When the scooter is charging, it displays the current battery level.

- ③ Light: When the scooter is on, short press the power button to turn the front or rear lights on or off. Short press the power button twice to switch modes. These short presses of the power button will not turn off the scooter.
- ④ Temperature Warning: If the battery temperature is too high or too low, the thermometer icon will be on. Use or charge the scooter after its battery temperature returns to the normal operating range.
- ⑤ Battery Level: The battery power is indicated by 5 bars, each representing approximately 20 % of a full battery.
- ⑥ Error Notification: When the wrench icon displays red, it indicates that the scooter has an error.
- ⑦ Lock: When the icon lights up, it indicates that the scooter is locked. You can lock/unlock the scooter via the NAVEE app.
- ⑧ Bluetooth: The Bluetooth icon is always on, indicating that the scooter has been successfully connected to the mobile device.

3. Care & Maintenance

Cleaning

Before cleaning the scooter, you must turn off the power, unplug the charging cables and close the charging cover tightly.

Wipe the main chassis with a soft damp cloth, the hard-to-remove dirt can be scrubbed with a toothbrush. Afterwards, wipe all areas with a dry cloth.

WARNING!

- Do not wash the scooter with a high-pressure water spray.
- Do not clean the scooter with corrosive cleaner, which will damage the external and internal structure of the scooter.

Battery

Always charge before exhausting the battery to prolong the battery's lifespan.

When riding, storing or charging, do not exceed the specified temperature limit (refer to specifications). Failure to follow instructions for use, storage or charging may result in battery damage, failure to charge and void warranty.

The fully charged scooter has an approximate standby time of 120-180 days. If it is not used for a long time, it should be charged every 60 days. Please pay attention to the standby time to prevent irreversible damage to the battery caused by not charging.

WARNING!

- Do not use battery packs of other models or brands, as there may be a safety risk.
- Only use the original battery charger to avoid potential damage or fire.
- If the battery is damaged or soaked with water, do not charge or continue to use it.
- Do not remove the battery. Removing the battery is complicated, and improper operation may affect the operation of the scooter.

Storage

If the scooter will not be used for an extended period, fully charge it, then turn it off and store it in a cool, dry place. Make sure the scooter is turned off when being transported and kept in its original packaging if possible.

WARNING!

- Please do not leave the scooter under hot sun or severely humid place for extended periods of time.
- Please do not place the scooter near flammable materials.
- This product contains a built-in lithium battery and must be transported only when permitted by local laws and regulations.

Environmental Instructions

The scooter contains a rechargeable lithium-ion battery pack, and improper disposal of these batteries will cause harm to the environment. Follow the steps below to remove the batteries before disposing of the scooter and discard the batteries properly:

1. Before removing the battery, power off and drain it to the full extent. Then tear the foot pad and unscrew the fixing bolts between the pedal and frame to open the foot pedal.
2. Unplug the battery connector, and then remove the batteries. Do not damage the battery case to avoid any risk of injuries. Do not use the battery if it is damaged, has a strange odor, emits smoke, or gets overheated. Keep a leaking battery away from other objects.
3. Discard the removed batteries at a professional recycling facility.

Scooter Maintenance Schedule (Recommended):

Maintaining the scooter regularly can help keep the scooter neat and in good condition, avoid safety hazards, minimize breakdowns, slow down the deterioration of the scooter, and extend the scooter's service life.

Item	Service Object	Actions	Every month	Every 3 months	Every 500 km/ 6 months	Every 1000 km/ 1 year	Every 10000 km/ 3 years
Tires	Tire Tread Wear	Check whether the tire is cracked, deformed, worn, etc.			√	√	√
Screws	Handlebar Assembly Screws	Tighten the screw that connects the handlebar assembly with the stem assembly (with the recommended torque of 3.0 ± 0.5 N·m).		√	√	√	√
		Tighten the accelerator screw (with the recommended torque of 1.6 ± 0.1 N·m).				√	√
		Tighten the brake lever screw (with the recommended torque of 5.5 ± 0.5 N·m).				√	√

Item	Service Object	Actions	Every month	Every 3 months	Every 500 km/ 6 months	Every 1000 km/ 1 year	Every 10000 km/ 3 years
Functions	Brake Adjustment	Before adjusting, make sure the scooter is turned off and not being charged. Tool: 5 mm hex key (the tool needs to be prepared by the user). When the brake is too tight, use the tool to turn the nut on the screw rod counterclockwise, so as to slightly shorten the brake cable's exposed bottom part. When the brake is too loose, use the tool to turn the nut on the screw rod clockwise, so as to slightly lengthen the brake cable's exposed bottom part.			√	√	√
	Charging	Charge the scooter at a suitable temperature. The indicator on the battery charger is red when the scooter is charging, and turns green when the scooter is fully charged. The control panel will show the charging status simultaneously during charging.			√	√	√
	Steering	Turn the handlebar 60° to the left and right to make sure the turning angle is correct and the steering is free from resistance and stagnation.				√	√
Important Components	Battery Assembly	Fully charge the scooter before leaving it unused for a long time, and turn it on to charge every 60 days.					√

Wheels, brake pads and other vulnerable parts are worn or damaged and need to be replaced, please contact the after-sales service in time.

To find a qualified service shop, contact us via service@navee.tech/www.naveetech.com

4. Specifications

Product	Name	NAVEE Electric Scooter		
	Model	EasyRide 20-E	EasyRide 20-D	EasyRide 20-S
Dimensions	Vehicle: L x W x H (mm) ^[1]	1086 x 463 x 1099		
	After Folding: L x W x H (mm)	1086 x 461 x 473		
Net Weight	Vehicle Net Weight (kg)	14.0		
Rider	Load Range (kg)	25-90		
	Age (years)	16-50		
	Body Length (cm)	120-200		
Assembled Electric Scooter	Max. Speed (km/h)	25	20	20
	General Range (km) ^[2]	Approx. 20		
	Max. Climbing Angle (%)	Approx. 14		
	Suitable Surfaces	Cement or asphalt road, with benches of less than 1 cm or crevices narrower than 3 cm		
	Operating Temperature (°C)	-10 to 40		
	Storage Temperature (°C)	-20 to 45		
	IP Rating	IPX5		
	Charging Time (h)	Approx. 6		
	Battery Pack	Model	T2417-B63A	
Nominal Voltage (VDC)		21.6		
Max. Charge Voltage (VDC)		25.2		
Rated Energy (Wh)		165.24		
Intelligent Battery Management System		Over-heating, short circuit, over-current, over-discharge, and over-charge protection		
Normal Charging Temperature Range (°C)		0 to 40		
Wheel Motor	Rated Capacity (Ah)	7.65		
	Rated Power (kW; W)	0.3; 300	0.3; 300	0.25; 250
	Model ^[3]	FY0422521500E		
	Output Power (kW; W)	0.0378; 37.8		
Battery Charger	Input	100-240 V~ 50/60 Hz		
	Rated Output (VDC; A)	25.2; 1.5		
	Front & Back Tires	Maintenance-free Inner Hollow Tires		
Bluetooth	Frequency Band (s)	2.4000-2.4835 GHz		
	Max. RF Power (dBm)	8		

[1] Vehicle height: From the ground to the top of the scooter.

[2] General range: Measured when there is no wind and at 25°C, the scooter is fully charged to ride at a constant speed of 15 km/h on a flat surface with a load of 75 kg.

[3] To recharge the battery, only use the battery charger provided in the package. Please see battery charger parameters in Specifications.

5. Certification

Restriction of Hazardous Substances Directive (RoHS)

This SPACEWALKER PTE. LTD. product, with included parts (cables, cords, and so on) meets the restriction of the use of certain hazardous substances in electrical and electronic equipment 2011/65/EU Annex II and its amendment Directive (EU) 2015/863.

EU Declaration of Conformity



This device meets the EU requirements on the limitation of exposure of the general public to electromagnetic fields by way of health protection.

Hereby, SPACEWALKER PTE. LTD. declares that the radio equipment type: [EasyRide 20-E], [EasyRide 20-D] and [EasyRide 20-S] are in compliance with Directive 2014/53/EU and 2006/42/EC. The full text of the EU declaration of conformity is available at the following internet address: www.naveetech.com

European Union Compliance Statement

Battery recycling information for the European Union



Batteries or packaging for batteries are labeled in accordance with European Directive 2006/66/EC and amendment 2013/56/EU concerning batteries and accumulators and waste batteries and accumulators. The Directive determines the framework for the return and recycling of used batteries and accumulators as applicable throughout the European Union. This label is applied to various batteries to indicate that the battery is not to be thrown away, but rather reclaimed upon end of life per this Directive.

In accordance with the European Directive 2006/66/EC and amendment 2013/56/EU, batteries and accumulators are labeled to indicate that they are to be collected separately and recycled at end of life. The label on the battery may also include a chemical symbol for the metal concerned in the battery (Pb for lead, Hg for mercury, and Cd for cadmium). Users of batteries and accumulators must not dispose of batteries and accumulators as unsorted municipal waste, but use the collection framework available to customers for the return, recycling, and treatment of batteries and accumulators. Customer participation is important to minimize any potential effects of batteries and accumulators on the environment and human health due to the potential presence of hazardous substances.

Before placing electrical and electronic equipment (EEE) in the waste collection stream or in waste collection facilities, the end user of equipment containing batteries and/or accumulators must remove those batteries and accumulators for separate collection.

Waste Electrical and Electronic Equipment (WEEE) Directive



All products bearing this symbol are waste electrical and electronic equipment (WEEE as in directive 2012/19/EU) which should not be mixed with unsorted household waste. Instead, you should protect human health and the environment by handing over your waste equipment to a designated collection point for the recycling of waste electrical and electronic equipment, appointed by the government or local authorities. Correct disposal and recycling will help prevent potential negative consequences to the environment and human health. Please contact the installer or local authorities for more information about the location as well as terms and conditions of such collection points.

Safety Warning



Danger!
Read user manual before use.



WARNING
Read carefully and keep for future reference.



WARNING
Hot Surface



Do not expose to moisture



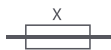
Light



SMPS incorporating a short-circuit-proof safety isolating transformer (inherently or non-inherently)



SMPS (Switch mode power supply unit)



Time-lag miniature fuse-link where X is the symbol for the time/current characteristic as given in IEC 60127



Audible warning to alert people



WARNING
For indoor use only (for the charger).



WARNING
Class II appliance



WARNING
Sharp Edges



≤5000m

The charger intended for use at altitudes not exceeding 5000m.



Turning indicator



Direct current



Alternating current



Polarity of the charger output, center positive


Battery Charger

WARNING

1. The charger is designed for indoor use only. Do not expose it to rain or snow.
2. Do not use for non-rechargeable batteries, as they can overheat and break.
3. Misuse other types of batteries may burst causing personal injury and damage.
4. Do not incinerate, disassemble or short circuit batteries.
5. If the performance of the batteries decrease substantially, it is time to replace the batteries.
6. Store the charger in a cool and dry place when not in use.
7. Disconnect the supply before making or breaking the connections to the battery.
8. Explosive gases. Prevent flames and sparks. Provide adequate ventilation during charging.
9. During charging, the battery must be placed in a Well Ventilated area.
10. Keep electrical appliances out of reach from Children or infirm persons. Do not let them use the appliances without supervision.
11. This appliance is not intended for use by persons (including children) with reduced physical, sensory or mental capabilities, or lack of experience and knowledge, unless they have been given supervision or instruction concerning use of the appliance by a person responsible for their safety. Children should be supervised to ensure that they do not play with the appliance.
12. This appliance can be used by children aged from 8 years and above and persons with reduced physical, sensory or mental capabilities or lack of experience and knowledge if they have been given supervision or instruction concerning use of the appliance in a safe way and understand the hazards involved. Children shall not play with the appliance. Cleaning and user maintenance shall not be made by children without supervision.
13. The external flexible cable or cord of this transformer cannot be replaced; if the cord is damaged, the transformer shall be scrapped.
14. If the supply cord is damaged, it must be replaced by a special cord or assembly available from the manufacturer or its service agent.

Charging instructions

1. Connect the charger directly to a power source. Never use extension cords.
2. The charger can only charge Lithium-ion battery.
3. Avoid reverse charging.
4. The chargers are not intended to charge automobile batteries.

 detachable power supply part

Battery Pack

WARNING

1. Do not dismantle, open or shred secondary cells or batteries.
2. Keep batteries out of the reach of children. Battery usage by children should be supervised. Especially keep small batteries out of reach of small children.
3. Seek medical advice immediately if a cell or a battery has been swallowed.
4. Do not expose cells or batteries to heat or fire. Avoid storage in direct sunlight.
5. Do not short-circuit a cell or a battery. Do not store cells or batteries haphazardly in a box or drawer where they may short-circuit each other or be short-circuited by other metal objects.
6. Do not remove a cell or battery from its original packaging until required for use.
7. Do not subject cells or batteries to mechanical shock.
8. In the event of a cell leaking, do not allow the liquid to come in contact with the skin or eyes. If contact has been made, wash the affected area with copious amounts of water and seek medical advice.
9. Do not use any charger other than that specifically provided for use with the equipment.
10. Observe the plus (+) and minus (-) marks on the cell, battery and equipment and ensure correct use.
11. Do not use any cell or battery which is not designed for use with the equipment.
12. Do not mix cells of different manufacture, capacity, size or type within a device.
13. Always purchase the battery recommended by the device manufacturer for the equipment.
14. Keep cells and batteries clean and dry.
15. Wipe the cell or battery terminals with a clean dry cloth if they become dirty.
16. Secondary cells and batteries need to be charged before use. Always use the correct charger and refer to the manufacturer's instructions or equipment manual for proper charging instructions.
17. Do not leave a battery on prolonged charge when not in use.
18. After extended periods of storage, it may be necessary to charge and discharge the cells or batteries several times to obtain maximum performance.
19. Retain the original product literature for future reference.
20. Use the cell or battery only in the application for which it was intended.
21. When possible, remove the battery from the equipment when not in use.
22. Dispose of properly.

1. Consignes de sécurité

Traduction de la notice originale

IMPORTANT : À lire attentivement et à conserver pour consultation ultérieure. Rendez-vous sur www.naveetech.com pour consulter l'e-manuel détaillé.

- **C**onserver les instructions imprimées pour consultation ultérieure et les lire attentivement avant utilisation.
- **C**e produit n'est pas destiné à être utilisé par des personnes (y compris des enfants) aux capacités physiques, sensorielles ou mentales réduites ou manquant d'expérience et de connaissance, sauf s'ils sont sous la surveillance d'une personne responsable de leur sécurité ou s'ils ont reçu des instructions sur la manière d'utiliser le produit.
Les enfants doivent être surveillés pour s'assurer qu'ils ne jouent pas avec le produit.
- **C**e produit est conçu pour des personnes de 8 ans et plus. Les enfants ne doivent pas jouer avec ce produit.
Le nettoyage et l'entretien du produit ne doivent pas être effectués par des enfants sans supervision.
- **L**e produit doit être utilisé uniquement avec le bloc d'alimentation fourni.
- **A**vant de rouler, veuillez porter un casque, des protections pour les mains et les poignets, des genouillères, des coudières et d'autres équipements de protection à tout moment.
Une conduite inappropriée peut provoquer des chutes ou des accidents graves.
- **L**a trottinette doit être utilisée par une seule personne à la fois. Obligation de toujours porter des chaussures.
Ne détournez pas l'usage du véhicule. **C**e produit est destiné uniquement à l'usage personnel et n'est pas conçu pour une utilisation acrobatique ou cascadeuse.
- **C**ette trottinette électrique est un appareil de loisirs. **C**ependant, lorsque vous êtes dans un espace public, la trottinette est considérée comme un véhicule sujet à des risques potentiels.
- **P**our votre sécurité, veuillez suivre les instructions contenues dans le manuel ainsi que les lois et réglementations locales en matière de circulation routière.
Il convient que l'utilisateur vérifie les limites d'utilisation conformément à la réglementation locale en vigueur (par exemple, utilisation en zone piétonne, sur route).
- **C**e produit est recommandé pour les personnes âgées de plus de 16 ans et de moins de 50 ans. Les personnes pour lesquelles ce produit n'est pas adapté incluent : (1) les personnes étant sous influence de l'alcool ou de drogues, (2) les personnes étant dans l'incapacité d'entreprendre des activités physiques intenses en raison de leur santé ou de leur condition physique, (3) les personnes étant dans l'incapacité de garder leur équilibre ou ne pouvant garder leur équilibre en raison d'une déficience motrice, (4) les personnes dont le poids est supérieur à la limite autorisée pour le produit, (5) les femmes enceintes, (6) les personnes souffrant d'un handicap visuel et/ou auditif.
- **R**espectez les lois et réglementations locales quand vous roulez. **N**e roulez pas dans les endroits interdits par les lois locales.
- **Q**uand vous roulez dans des pays ou des régions où il n'existe aucun standard ni aucune réglementation

national(e) pertinent(e), veillez à suivre strictement les consignes de sécurité de ce manuel d'utilisation à l'attention des conducteurs. SPACEWALKER PTE. LTD. n'assumera aucune responsabilité directe ou conjointe pour les pertes matérielles, personnelles, les accidents, les litiges d'ordre juridique et autres événements préjudiciables pouvant causer des conflits d'intérêt en raison d'un non-respect des consignes d'utilisation.

- Ne roulez pas sur les voies de circulation ou les zones résidentielles où les véhicules et les piétons sont tous deux autorisés. Quand vous passez par un endroit destiné aux piétons et où ils ont la priorité, comme un passage piéton, descendez pour marcher avec la trottinette à la main.
- Ne choisissez pas pour votre première sortie des endroits où les enfants, les piétons, les animaux domestiques, les vélos ou autres obstacles et dangers potentiels peuvent survenir.
- Les préparatifs nécessaires à l'utilisation de ce produit consistent à s'assurer que le système de direction soit correctement réglé, que tous les accessoires connectés (tels que le système de pliage) soient correctement serrés et ne soient pas endommagés, et que les freins et les roues soient en bon état.
- Prenez le temps d'apprendre les bases de la pratique pour éviter tout accident grave pouvant survenir dans les premiers mois. Informations sur la pratique et l'utilisation en toute sécurité (disponibles sur le site Internet : www.naveetech.com)
- Veuillez allumer les phares et ralentir lorsque vous conduisez dans des conditions de faible luminosité.
- Effectuez une inspection de base de la trottinette électrique avant chaque sortie. En cas de situation anormale, comme des pièces desserrées, une alerte de batterie faible, des pneus dégonflés ou une usure excessive des pneus, des sons étranges, des dysfonctionnements et autres situations anormales, arrêtez immédiatement de rouler et faites appel à un professionnel.
- Attention, le frein peut monter en température lorsqu'il est utilisé. Ne pas le toucher après utilisation.
- Les écrous autobloquants et les autres fixations autobloquants peuvent perdre de leur efficacité et avoir besoin d'être resserrés.
- Comme l'efficacité du freinage ainsi que le frottement entre le pneu et la route se détériorent par temps humide, il est plus difficile de contrôler la vitesse et plus facile de perdre le contrôle. Ralentissez et freinez tôt lorsqu'il pleut.
- Prenez des précautions lorsque vous conduisez, et faites attention à votre sécurité, à la circulation et aux piétons. Évitez les zones à fort trafic et encombrées. Si vous avez une pente (qui ne doit pas excéder 6°) celle-ci doit être mise impérativement dans les positions suivantes.
- Ce véhicule n'est pas destiné à un usage acrobatique.
- Cette trottinette ne doit être utilisée que par une seule personne à la fois.
- Pour rouler en toute sécurité, vous devez voir clairement ce qui est en face de vous et être clairement visible pour les autres.
- Ne conduisez pas par mauvais temps, quand la visibilité est mauvaise ou après une activité physique intense.
- Assurez-vous que la béquille soit positionnée sur une surface plane et que la trottinette est suffisamment stable avant de la quitter.
- La trottinette électrique est un équipement de loisir. Toutefois, quand vous pénétrez dans un lieu public, le sera considéré comme un moyen de transport et vous soumettra aux mêmes risques de sécurité éventuels que tous les autres modes de transport. Le strict respect des instructions contenues dans ce manuel vous protégera, vous et les autres.
- L'utilisateur doit se renseigner sur les limites d'utilisation de la trottinette selon la réglementation locale. Conduisez la trottinette sur les routes et dans les zones autorisées par les lois et les réglementations locales

et garez-la dans les zones autorisées. Si les lois et les réglementations locales ont des dispositions différentes concernant la vitesse maximale autorisée, les lois et les réglementations prévalent. Veuillez respecter les règles du code de la route.

- Respectez les passages réservés aux piétons. Essayez de ne pas les surprendre quand vous roulez, particulièrement les enfants. Quand vous roulez derrière des piétons, actionnez la sonnette pour les prévenir et ralentissez pour les dépasser sur leur gauche, et maintenez votre droite en roulant lentement quand vous passez au milieu des piétons (dans les pays où les véhicules roulent à droite). Quand vous roulez au milieu des piétons, roulez le plus lentement possible ou descendez de la trottinette.
- Dans tous les cas, anticipez votre trajectoire et votre vitesse en respectant le code de la route et les réglementations sur les trottoirs et en respectant les plus vulnérables. Avertissez de votre présence quand vous approchez d'un piéton ou d'un cycliste quand vous n'êtes pas visible ou audible. Traversez aux passages piétons quand vous marchez. Traversez aux passages piétons quand vous marchez. Évitez les zones à circulation dense ou les zones bondées.
- Le fait de rouler à grande vitesse ou à une vitesse non adaptée à la situation (mauvais temps, terrain en mauvais état ou autres conditions similaires) peut conduire à une perte de stabilité ou à une perte de contrôle. Pour éviter tout risque, vous devez respecter toutes les instructions contenues dans ce manuel. Soyez prudent quand vous montez ou démontez ce produit, car il peut tomber et causer des blessures.
- La circulation en ville présente de nombreux obstacles tels que des bordures et des marches. Il est recommandé d'éviter de sauter les obstacles. Il est important d'anticiper et d'adapter votre trajectoire et votre vitesse à ceux des piétons avant de passer ces obstacles. Il est également recommandé de descendre de la trottinette quand ces obstacles deviennent dangereux en raison de leur forme, leur hauteur ou leur manque d'adhérence.
- Ne prêtez pas votre trottinette à une personne qui ne connaît pas son fonctionnement. Avant de prêter la trottinette électrique, assurez-vous que la personne a lu ce manuel et a regardé la vidéo de présentation et qu'elle a compris le fonctionnement de l'engin. Il est rappelé aux conducteurs de porter correctement les équipements de protection pour assurer leur sécurité.
- Contactez votre vendeur pour connaître des organismes de formation compétents.
- Dans tous les cas, soyez attentifs à vous-même et aux autres.
- Toute charge attachée au guidon affectera la stabilité du véhicule.
- Ne touchez pas le système de freinage pour éviter des blessures dues aux bords coupants. Le frein peut chauffer pendant l'utilisation. Ne pas le toucher après l'avoir utilisé.
- Le niveau sonore avec la pondération A est inférieur à 70 dB(A).
- Les vibrations mécaniques transmises par le scooter sont inférieures à 2,5 m/s².
- Pour une meilleure expérience de conduite, il est recommandé d'effectuer une maintenance régulière du produit.
- Supprimez tout bord tranchant causé par l'usure.
- Les accessoires et les autres éléments qui ne sont pas approuvés par le fabricant ne doivent pas être utilisés.
- La maintenance régulière du véhicule est un facteur de sécurité.
- Les écrous auto-serrants ainsi que les autres fixations auto-serrantes peuvent perdre de leur efficacité et il peut être nécessaire de les resserrer.
- Contrôlez régulièrement le serrage des divers éléments vissés, en particulier les axes des roues, le système pliant, le système de direction et l'arbre de frein.
- Ne modifiez pas et ne transformez pas le véhicule, que ce soit la colonne et les manchons de direction, la

potence, le mécanisme de pliage ou le frein arrière.

- N'apportez aucune modification qui ne soit pas mentionnée dans les instructions.
- Assurez-vous d'éteindre la trottinette pour le transport et de la conserver dans son emballage d'origine si possible.
- Pour éviter des blessures accidentelles telles que des chocs électriques et des incendies en raison d'une mauvaise utilisation, veuillez lire les instructions attentivement avant d'utiliser la trottinette et conservez-les soigneusement pour vous y référer ultérieurement.
- Veuillez utiliser le produit conformément aux instructions contenues dans le manuel de l'utilisateur. Les utilisateurs sont responsables de toute perte ou dommage résultant d'une mauvaise utilisation de ce produit.
- Éteignez le véhicule ou mettez-le en mode non opérationnel pendant la charge.
- Ne chargez pas la trottinette si le port de charge ou le câble de charge est mouillé. Lisez ce manuel attentivement avant de charger.
- Ne chargez pas la trottinette par une température ambiante supérieure à 40 ° C ou inférieure à 0 ° C.
- Il est nécessaire de vérifier que le système de direction est bien réglé, que tous les éléments de liaison (tels que le système de pliage) sont bien serrés et ne sont pas cassés, et que les freins et les roues sont en bon état. Utilisez une clé pour régler la vis si vous sentez que le levier de frein est trop serré ou trop lâche.
- Ne pas toucher le disque de frein.
- Prendre le temps d'apprendre les bases de la pratique pour éviter qu'un accident grave ne survienne lors des premiers mois. Se rapprocher du vendeur pour être orienté vers un organisme de formation approprié.
- Signaler sa présence à l'approche d'un piéton ou d'un cycliste qui risque de ne pas avoir vu ou entendu le véhicule.
- Ne pas détourner le véhicule de son usage initial.
- Contrôler régulièrement le serrage des différents éléments boulonnés, notamment les axes de roue, le système de pliage, le système de direction et l'axe de frein.
- Eliminer les arêtes vives engendrées par l'utilisation.
- Obligation de porter des chaussures en permanence.
- Aucune lubrification n'est nécessaire pour l'entretien du véhicule.
- Puissance nominale continue maximale du moteur électrique: 350 W.
- Taille maximum et minimum de l'utilisateur: 120-200 cm. Poids maximum de l'utilisateur: 110 kg.
- Surfaces adaptées: Ciment, asphalte et chemins de terre ; avec des bermes inférieures à 1 cm et des crevasses inférieures à 3 cm.
- Veuillez rouler sur un terrain plat, propre et sec et, si possible, à distance des autres usagers de la route.
- Veuillez garder une distance de sécurité lorsque le scooter roule sur une route plate ou sans pente. La distance de freinage augmentera par temps humide.
- L'absorption des chocs de ce produit n'est pas ajustable (le cas échéant).
- L'appareil n'est pas destiné à être utilisé à des altitudes supérieures à 2000 m au-dessus du niveau de la mer.
- L'appareil doit être déconnecté de sa source d'alimentation pendant l'entretien et le remplacement des pièces.
- Le câble souple externe de ce transformateur ne peut pas être remplacé, en cas d'endommagement du cordon, il

convient de mettre le transformateur au rebut.

- Si le câble ou le cordon flexible externe de ce transformateur est endommagé, il doit être remplacé par le fabricant, son agent de service ou une personne de qualification similaire afin d'éviter tout danger.
- Si le cordon d'alimentation est endommagé, il doit être remplacé par le fabricant, son agent de service ou une personne de qualification similaire afin d'éviter tout danger.
- Ce produit contient des batteries qui ne peuvent être remplacées que par des personnels qualifiés ou le service après-vente.
- Cet appareil contient des batteries qui ne peuvent être remplacées que par des personnes qualifiées.
- **ATTENTION ! Pour recharger la batterie, utilisez uniquement le bloc d'alimentation amovible fourni avec l'appareil. N'utilisez pas de chargeur de batterie provenant d'un autre produit. Gardez une distance de sécurité par rapport aux combustibles environnants lors de la recharge, le véhicule doit être placé dans un endroit bien ventilé.**
- **ATTENTION ! N'utilisez pas la batterie ou l'adaptateur secteur de quelqu'un d'autre. À utiliser uniquement avec le bloc d'alimentation FY0422521500E.**
- **ATTENTION ! Gardez l'emballage plastique à distance des enfants pour éviter un risque de suffocation.**
- **AVERTISSEMENT ! N'utilisez jamais ce produit à proximité d'une source d'eau.**
- **AVERTISSEMENT ! Arrêtez d'utiliser le produit lorsqu'il est endommagé.**
- **ATTENTION ! Comme avec tout composant mécanique, un véhicule est soumis à de fortes contraintes et à une forte usure. Les divers matériaux et composants peuvent réagir différemment à l'usure ou sous un usage intensif. Si la durée de vie prévue pour un composant est dépassée, il peut se briser soudainement et causer éventuellement des blessures à l'utilisation. Les craquelures, les éraflures et la décoloration des zones soumises à de fortes contraintes indiquent que le**

composant a dépassé sa durée de vie. Contactez un réparateur autorisé ou spécialisé.

Faites attention aux risques que posent les points d'écrasement et de pincement de doigt dans les positions suivantes pendant l'utilisation :

1. Entre le guidon et la potence lors de l'installation du guidon.
2. Ouvertures sur les roues.
3. Entre le garde-boue avant et le pont.
4. Entre le levier de libération rapide et le verrou du levier de libération rapide, et entre le joint de pliage et la potence lors du pliage ou du dépliage.
5. Entre les garde-boue et les roues.



FR

Cet appareil, ses accessoires, piles et cordons se recycle

REPRISE À LA LIVRAISON



OU

À DÉPOSER EN MAGASIN



OU

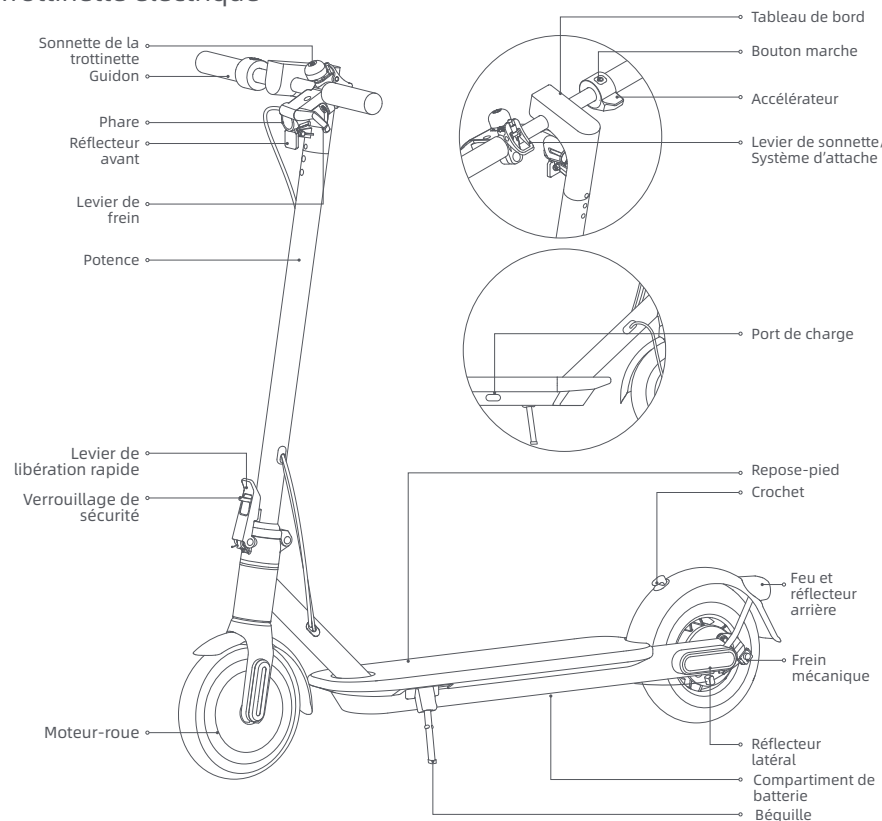
À DÉPOSER EN DÉCHÈTERIE



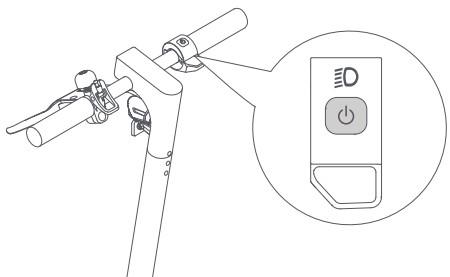
Points de collecte sur www.quefairedemesdechets.fr
Privilégiez la réparation ou le don de votre appareil !

2. Présentation du produit

Trottinette électrique



Mise sous tension/hors tension





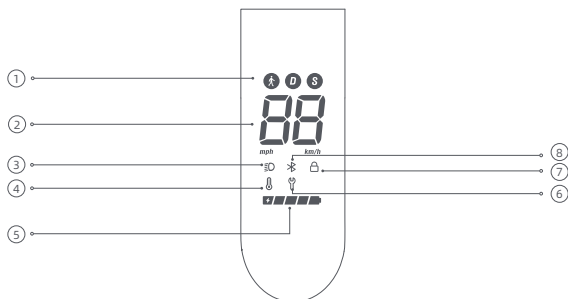



Appuyez sur le bouton  pour allumer la trottinette et appuyez sur le bouton  pendant 2 à 3 secondes pour éteindre la trottinette. Allumez la trottinette, appuyez une fois pour allumer/éteindre le phare et le feu arrière, puis appuyez deux fois pour changer de mode de navigation.

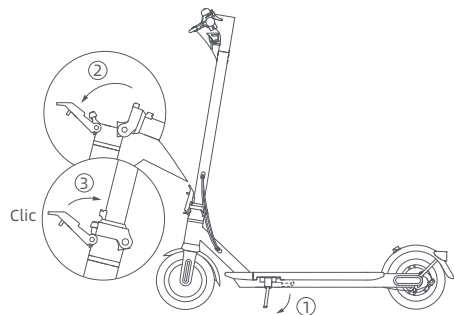
Tableau de bord



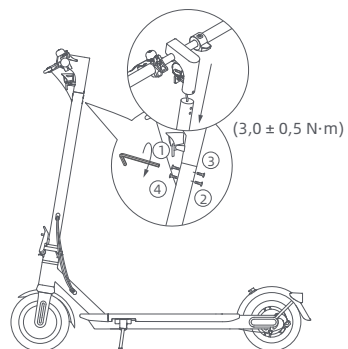
- ① Modes de conduite:  est pour le mode marche, sa vitesse maximum est de 6 km/h. Le feu arrière clignote rouge quand ce mode est activé. D est pour le mode standard. S est pour le mode sport.
- ② Compteur de vitesse: Il affiche la vitesse quand la trottinette est en marche. En cas de problème sur la trottinette, il affiche un code d'erreur. Quand la trottinette est en charge, il affiche le niveau de batterie.

- ③ Lumière :  l'éclairage signifie que le phare et le feu arrière sont allumés, et  l'extinction indique que le phare et le feu arrière sont éteints. Allumez la trottinette, et appuyez sur le bouton d'alimentation pour allumer ou éteindre le phare et le feu arrière.
- ④ Alerte de température: Si la température de la batterie est trop élevée ou trop basse, l'icône du thermomètre s'allume. Attendez que la température de la batterie soit revenue dans la plage normale pour l'utiliser ou la charger.
- ⑤ Niveau de batterie: Le niveau de batterie est indiqué par 5 barres, chacune représentant environ 20% de la batterie pleine.
- ⑥ Notification d'erreur: Quand l'icône de la clé s'affiche en rouge, cela indique qu'il y a une panne sur la trottinette.
- ⑦ Verrouillage : Lorsque l'icône s'allume, cela indique que la trottinette est verrouillée. Vous pouvez verrouiller/déverrouiller la trottinette via l'application NAVEE.
- ⑧ Bluetooth: L'icône Bluetooth est toujours allumée, indiquant que la trottinette s'est bien connectée à l'appareil mobile.

Assemblage



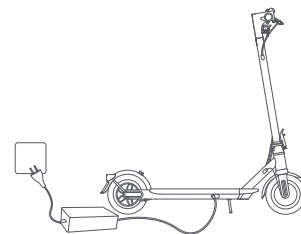
1. Sortez la trottinette du carton et la poser sur un sol stable et plat. Déployez ensuite la béquille, dressez complètement la colonne verticale en position droite et poussez la poignée de pliage à fond vers l'intérieur.



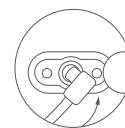
2. Pour installer le guidon sur la potence, il vous suffit de positionner le guidon sur la partie supérieure de la potence en prenant soin d'aligner les trous présents sur la potence avec ceux situés sur la partie inférieure du guidon. Assurez-vous également que le câble reliant le guidon à la potence soit soigneusement inséré à l'intérieur de cette dernière. Suivez l'ordre des numéros comme sur l'image pour pré-serrer les quatre vis avec la clé Allen incluse. Assurez-vous que le guidon est correctement installé puis serrez les vis complètement.

Charge

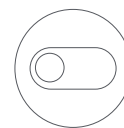
La trottinette est entièrement chargée quand la LED de l'adaptateur secteur passe du rouge au vert.



1. Ouvrez le capot du port de charge.



2. Branchez l'adaptateur secteur au port de charge.



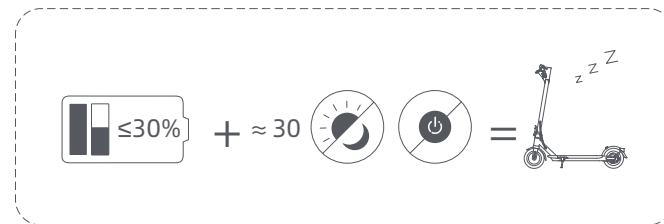
3. Après la charge, retirez la fiche et refermez soigneusement le capot du port de charge.



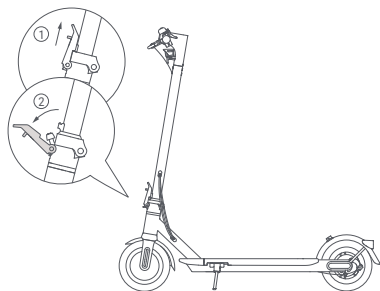
ATTENTION !

Utilisez uniquement l'adaptateur secteur d'origine pour éviter d'éventuels dommages ou incendies. Éteignez le véhicule ou sélectionnez un mode non opérationnel pendant la charge.

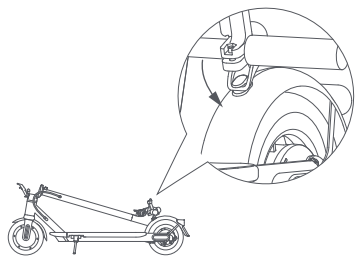
Chargez votre trottinette à l'intérieur et ne la laissez jamais prendre la pluie. Ne chargez pas quand le port de charge ou le câble d'alimentation sont mouillés. Si la batterie est endommagée ou détrempée, il est interdit de la charger ou de continuer de l'utiliser.



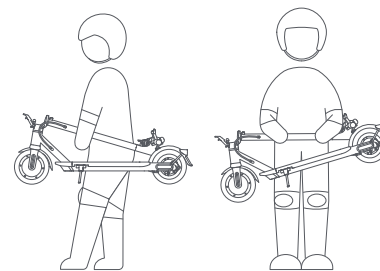
Lorsque la trottinette est éteinte pendant environ un mois ayant le niveau de batterie étant inférieur à 30%, la trottinette entrera en mode veille. Dans ce cas, la trottinette ne peut pas être démarrée. Pour quitter le mode veille, charger la trottinette pendant environ trois secondes pour activer la batterie.



Tenez la potence, appuyez sur le verrouillage de sécurité et tirez le levier de libération rapide, puis pliez la potence.

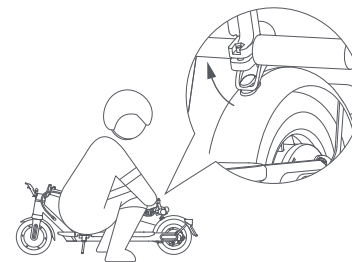


Alignez le système d'attache avec le crochet et attachez-les ensemble.



Tenez la potence avec une ou deux main(s) pour la transporter.

Dépliage



Tirez le système d'attache vers le haut pour libérer le crochet. Tenez la potence puis soulevez le verrouillage de sécurité et poussez le levier de libération rapide à fond vers l'intérieur.

Astuces de sécurité : Quand vous soulevez la potence de la trottinette, ne mettez JAMAIS vos mains au niveau des parties pliantes pour éviter des blessures graves.

3. Entretien et maintenance

Nettoyage

Avant de nettoyer la trottinette, vous devez couper l'alimentation, débrancher les câbles de charge et refermer soigneusement le capot du port de charge.

Essuyez le châssis principal avec un chiffon doux humide. La saleté résistante peut être frottée avec une brosse à dent. Essuyez ensuite toutes les parties avec un chiffon sec.

ATTENTION !

- Ne lavez pas la trottinette avec de l'eau à haute pression.
- Ne nettoyez pas la trottinette avec un nettoyant corrosif, qui abîmerait la structure externe et interne de la trottinette.

Batterie

Rechargez toujours la batterie avant qu'elle soit à plat pour prolonger sa durée de vie.

Que ce soit pendant les déplacements, le stockage ou la charge, la température limite spécifiée ne doit pas être dépassée (voir les spécifications). Le non-respect des instructions d'utilisation, de stockage ou de charge peut conduire à des dommages sur la batterie, un échec de la charge et une annulation de la garantie.

La trottinette à pleine charge a une durée de veille approximative de 120-180 jours. Si elle n'est pas utilisée pendant longtemps, elle doit être rechargée tous les 60 jours. Faites attention à ce délai pour éviter des dommages irréversibles sur la batterie dus à un défaut de charge.

ATTENTION !

- N'utilisez pas de blocs batterie d'autres modèles ou marques, cela constituerait un risque pour votre sécurité.
- Utilisez uniquement l'adaptateur secteur d'origine pour éviter d'éventuels dommages ou incendies.
- Si la batterie est endommagée ou détremée, ne la chargez pas et ne continuez pas à l'utiliser.
- Ne retirez pas la batterie. Le retrait de la batterie est complexe et une mauvaise opération peut affecter le fonctionnement de la trottinette.

Stockage

Si la trottinette n'est pas utilisée pendant longtemps, chargez-la à fond puis éteignez-la avant de la stocker dans un endroit frais et sec. Assurez-vous d'éteindre la trottinette pour le transport et de la conserver dans son emballage d'origine si possible.

ATTENTION !

- Ne laissez pas trop longtemps la trottinette en plein soleil ou dans un endroit extrêmement humide.
- Ne placez pas la trottinette à proximité de matières inflammables.
- Ce produit contient une batterie lithium intégrée et doit être transporté uniquement quand cela est autorisé par les lois et réglementations locales.

Consignes de recyclage

La trottinette contient un bloc batterie lithium-ion rechargeable, et une mauvaise élimination de ces batteries peut être nocive à l'environnement. Suivez les étapes ci-dessous pour retirer les batteries avant de jeter la trottinette et d'éliminer les batteries correctement :

1. Avant de retirer la batterie, éteignez-la et videz-la complètement. Retirez ensuite le plateau du repose-pieds et dévissez les vis de fixation situées entre la pédale et le cadre pour ouvrir la pédale.
2. Débranchez le raccord de la batterie puis retirez les batteries. N'endommagez pas le boîtier de la batterie pour éviter tout risque de blessure. N'endommagez pas le boîtier de la batterie pour éviter tout risque de blessure. N'utilisez pas la batterie si elle est endommagée, si elle dégage une odeur étrange, de la fumée ou si elle est en surchauffe. Toute batterie présentant une fuite doit être tenue à l'écart des autres objets.
3. Déposez les batteries retirées dans un établissement de recyclage spécialisé.

AVERTISSEMENT: Comme il en est de tout composant mécanique, un véhicule est soumis à de fortes contraintes et à l'usure. Les divers matériaux et composants peuvent réagir différemment à l'usure ou à la fatigue. Si l'on dépasse la durée de vie prévue pour un composant, il peut se rompre soudainement et risquer de blesser l'utilisateur. Les fissures, rayures et décolorations dans les zones soumises à de fortes contraintes indiquent que le composant a dépassé sa durée de vie et qu'il convient de le remplacer.

Périodicité d'entretien du scooter (Recommandée) :

L'entretien régulier du scooter peut aider à garder le scooter propre et en bon état ; il permet également de prévenir les risques de sécurité, de minimiser les pannes, de ralentir la détérioration du scooter et de prolonger la durée de vie du scooter.

Article	Objet du Service	Actions	Tous les mois	Tous les 3 mois	Tous les 500 km/ 6 mois	Tous les 1000 km/ 1 an	Tous les 10000 km/ 3 ans
Pneus	Usure de la Bande de Roulement	Vérifier si le pneu est fissuré, déformé, usé, etc.			✓	✓	✓
Vis	Vis de l'Ensemble Guidon	Serrer la vis qui relie l'ensemble guidon à l'ensemble potence (avec le couple recommandé à 3,0 ± 0,5 N-m).		✓	✓	✓	✓
		Serrer la vis de l'accélérateur (avec le couple recommandé à 1,6 ± 0,1 N-m).				✓	✓
		Serrer la vis du levier de frein (avec le couple recommandé à 5,5 ± 0,5 N-m).					

Article	Objet du Service	Actions	Tous les mois	Tous les 3 mois	Tous les 500 km/ 6 mois	Tous les 1000 km/ 1 an	Tous les 10000 km/ 3 ans
Fonctions	Réglage des Freins	<p>Avant de procéder au réglage, assurez-vous que le scooter est éteint et qu'il n'est pas en charge. Outil : clé hexagonale de 5 mm (l'outil doit être préparé par l'utilisateur).</p> <p>Pendant le réglage, tirez sur l'extrémité du câble de frein pour le serrer.</p> <p>Remarques :</p> <ul style="list-style-type: none"> - Si le frein est trop serré, utilisez l'outil pour desserrer la vis en la tournant dans le sens inverse des aiguilles d'une montre, tirez le culbuteur du frein à disque vers l'extérieur, puis serrez la vis. Si le frein est trop lâche, utilisez l'outil pour desserrer la vis en la tournant dans le sens inverse des aiguilles d'une montre, poussez le culbuteur du frein à disque vers l'avant, puis serrez la vis. <p>Avertissement : Ne réglez pas le frein trop serré, sinon la roue avant peut se bloquer pendant le freinage, entraînant le basculement vers l'avant de la trottinette.</p>			✓	✓	✓
	Recharge	Recharger le scooter à une température appropriée. L'indicateur du chargeur de batterie est rouge lorsque le scooter est en charge, et devient vert lorsque le scooter est complètement chargé. Le panneau de commande affiche simultanément l'état de charge pendant la charge.			✓	✓	✓
	Direction	Tourner le guidon de 60° vers la gauche et la droite pour vous assurer que l'angle de braquage est correct et que le guidon ne présente aucune résistance ni stagnation.				✓	✓
Composants Importants	Ensemble Batterie	Recharger complètement le scooter avant de cesser de l'utiliser pendant une longue période, et mettez-le en charge tous les 60 jours.					✓

Si les roues, les plaquettes de frein et d'autres pièces vulnérables sont usées ou endommagées et doivent être remplacées, veuillez contacter le service après-vente à temps.

Pour trouver un atelier agréé, veuillez contacter: service@navee.tech/www.naveetech.com

4. Résolution des pannes

Codes d'erreur	Raisons	Solutions
E1	Panne du tableau de bord	Contactez le service après-vente pour la détection et la réparation de la panne.
E2/E3/E4/E5/E6	Panne du contrôleur	
H3	Panne de l'accélérateur	Vérifiez que l'accélérateur est bien revenu en position, sinon il ne peut pas fonctionner correctement.
		Contactez le service après-vente dans les meilleurs délais pour une détection et une réparation de la panne si le faisceau de câbles de l'accélérateur est débranché ou endommagé.
H4	Défaillance des freins	Vérifiez que le levier de frein est bien revenu en position, sinon il ne peut pas fonctionner correctement.
		Si le câble du levier de frein se détend ou est endommagé, veuillez contacter le service après-vente immédiatement pour faire inspecter et réparer le produit.
H5	Panne du moteur	Contactez le service après-vente pour la détection et la réparation de la panne.

Avertissement de sécurité



Danger!
Lisez le manuel de l'utilisateur avant toute utilisation.



AVERTISSEMENT
Lire attentivement et conserver le manuel pour toute référence future.



AVERTISSEMENT
Surface Chaude



Ne pas exposer à l'humidité



Éclairage



SMPS incorporant un transformateur d'isolement de sécurité résistant aux courts-circuits (intrinsèquement ou non)



SMPS (unité d'alimentation en mode interrupteur)



Fusible miniature à retardement où X est le symbole de caractéristique délai/courant comme indiqué dans IEC 60127.



Avertissement sonore pour alerter les personnes



AVERTISSEMENT
Pour une utilisation à l'intérieur uniquement (pour le chargeur).



AVERTISSEMENT
Appareil de Classe II



AVERTISSEMENT
Bords Tranchants



Les chargeur sont conçus pour être utilisés à des altitudes ne dépassant pas 5000 mètres.



Feu de direction



Courant continu



Courant alternatif



Polarité de sortie de chargeur, centre positif

DÉCLARATION DE CONFORMITÉ DE L'UE

Appareil/équipement

Produit : NAVEE Electric Scooter Modèle : E20-R, EasyRide 20-E, EasyRide 20-D, EasyRide 20-S, E25-R, EasyRide 25 Pro-E, EasyRide 25 Pro-D, EasyRide 25 Pro-S

Numéro de lot ou de série:

T2417XXXXXXXXXXXX, T2417XXXXXXXXXXXX, T2417XXXXXXXXXXXX, T2417XXXXXXXXXXXX, T2422XXXXXXXXXXXX, T2422XXXXXXXXXXXX, T2422XXXXXXXXXXXX, T2422XXXXXXXXXXXX (X represents any number from 0-9 or any letter from A to Z except O and I.)

Fabricant ou son représentant agréé :

Nom : SPACEWALKER PTE. LTD.

Adresse : 60 PAYA LEBAR ROAD #07-54 PAYA LEBAR SQUARE (405091)

Pays : SINGAPORE

Représentant agréé des fabricants pour l'UE

ENIF PEGASUS S.R.L.

Str. RADOVANU, Nr. 7, Bloc 42, Scara 1, Etaj 5, Apartament 29, 22882 București Sectorul 2, Romania

Tel: +40768511765 Email Address: dragutgss@gmail.com Contact: Pmeria Function: Manager

Cette déclaration de conformité est publiée sous la seule responsabilité du fabricant.

Objet de la déclaration : Ci-dessus

L'objet de la déclaration décrit ci-dessus est en conformité avec les directives et/ou les lois relatives à l'harmonisation des législations suivantes de l'Union européenne :

Directive relative aux équipements radio (RED) (2014/53/UE)

Limitation de l'utilisation de certaines substances dangereuses (RoHS) (2011/65/UE)

Directive Machines (MD) (2006/42/CE)

Références aux normes harmonisées pertinentes utilisées, y compris la date de la norme, ou références aux autres agréments techniques, y compris la date de l'agrément, par rapport auquel la conformité est déclarée :

Norme harmonisée

EN 60335-1:2012+A11:2014+A13:2017+A1:2019+A

14:2019+A15:2021+A2:2019+A16:2023

EN 62233:2008

EN 62479:2010

EN 301 489-1 V2.2.3:2019

EN 301 489-17 V3.2.4:2020

EN 50663:2017

EN 300 328 V2.2.2:2019

EN 17128:2020

EN ISO12100:2010

EN IEC 63000:2018

IEC 62321-3-1:2013, IEC 62321-4:2013+A1:2017,

IEC 62321-5:2013, IEC 62321-6:2015, IEC 62321-7-1:2015,

IEC 62321-7-2:2017, IEC 62321-8:2017

Signé pour et au nom de

Lieu et date d'émission:

Signature:

Nom, fonction:

Laboratoire de test

LCIE China Company Limited.

LCIE China Company Limited.

LCIE China Company Limited.

Zhejiang Novi Total Quality Assurance Co., Ltd.

SPACEWALKER PTE. LTD.

SINGAPORE, 2024-12-20

Wen-tao Shi

Wentao Shi, Certificate Engineer

5. Caractéristiques

Produit	Nom	NAVEE Electric Scooter		
	Modèle	EasyRide 20-E	EasyRide 20-D	EasyRide 20-S
Dimensions	Véhicule : L x l x H (mm) ^[1]	1086 x 463 x 1099		
	Après pliage : L x l x H (mm)	1086 x 461 x 473		
Poids net	Poids net du véhicule (kg)	14,0		
	Plage de charge (kg)	25 à 90		
Utilisateur	Âge (années)	16 à 50		
	Taille (cm)	120 à 200		
	Vitesse maximale (km/h)	25	20	20
Trottinette électrique assemblée	Plage générale (km) ^[2]	Environ 20		
	Angle maximum de montée (%)	Environ 14		
	Surfaces adaptées	Route revêtu en ciment et d'asphalte, avec des bermes inférieures à 1 cm ou des crevasses inférieures à 3 cm.		
	Température de fonctionnement (°C)	-10 à 40		
	Température de stockage (°C)	-20 à 45		
	Indice de protection (IP)	IPX5		
	Temps de charge (h)	Environ 6		
	Bloc de batterie	Modèle	T2417-B63A	
Tension nominale (VCC)		21,6		
Tension d'entrée maximale (VCC)		25,2		
Énergie nominale (Wh)		165,24		
Système intelligent de gestion de batterie		Surchauffe, court-circuit, surintensité, surcharge et protection contre la surcharge		
Plage de températures de charge normales (°C)		0 à 40		
Capacité nominale (Ah)		7,65		
Moteur-roue	Puissance nominale (kW ; W)	0,3; 300	0,3; 300	0,25; 250
	Modèle ^[3]	FY0422521500E		
Chargeur de batterie	Puissance de sortie (kW ; W)	0,0378; 37,8		
	Entrée	100-240 V~ 50/60 Hz		
	Puissance de sortie nominale (VCC ; A)	25,2; 1,5		
Pneu	Pneus avant et arrière	Pneus creux intérieurs sans entretien		
	Bluetooth	Bande de fréquences (s)	2,4000 à 2,4835 GHz	
Puissance d'émission maximale (dBm)		8		

[1] Hauteur du véhicule : depuis le sol jusqu'en haut de la trottinette.

[2] Plage générale : mesurée à 25 °C lorsqu'il n'y a pas de vent, la trottinette entièrement chargée et roulant à une vitesse régulière de 15 km/h sur une surface plane avec une charge de 75 kg.

[3] Ne rechargez la batterie qu'avec le chargeur fourni dans l'emballage. Consultez les paramètres du chargeur de batterie dans la section Caractéristiques.

6. Certifications

Directive relative à la limitation de l'utilisation de certaines substances dangereuses (RoHS)

Ce produit de SPACEWALKER PTE. LTD. avec les pièces incluses (câbles, cordons, et autres) répond à la restriction d'utilisation de certaines substances dangereuses dans l'Annexe II 2011/65/UE et sa Directive d'amendement (UE) 2015/863 sur les équipements électriques et électroniques.

Déclaration de conformité pour l'Union européenne



Cet équipement répond aux exigences relatives à la limitation de l'exposition du public aux champs électromagnétiques dans le cadre de la protection de la santé. Par la présente, SPACEWALKER PTE. LTD. déclare que cet équipement radio de type :[EasyRide 20-E], [EasyRide 20-D] et [EasyRide 20-S] est conforme aux Directives 2014/53/UE et 2006/42/EC. L'intégralité de la déclaration de conformité pour l'UE est disponible à l'adresse suivante : www.naveetech.com

Déclaration UE de conformité

Informations sur recyclage des batteries pour l'Union européenne



Les batteries et l'emballage pour les batteries sont étiquetés conformément à la directive européenne 2006/66/CE et à l'amendement 2013/56/UE relatifs aux batteries et accumulateurs, ainsi qu'aux batteries et aux accumulateurs usagés. La directive détermine le cadre pour le retour et le recyclage des batteries et accumulateurs usagés, applicable pour toute l'Union européenne. Cette étiquette est appliquée sur différentes batteries pour indiquer qu'elles ne doivent pas être jetées, mais qu'elles doivent être recyclées au terme de sa durée de vie utile selon cette directive.

Conformément à la directive européenne 2006/66/CE et à l'amendement 2013/56/UE, les batteries et les accumulateurs sont étiquetés pour indiquer qu'ils doivent être collectés séparément et recyclés au terme de leur durée de vie utile. L'étiquette de la batterie peut également comprendre un symbole chimique pour le métal concerné dans la fabrication de la batterie (Pb pour le plomb, Hg pour le mercure et Cd pour le cadmium). Les utilisateurs de batteries et d'accumulateurs ne doivent pas les jeter comme des déchets ménagers non triés, mais doivent utiliser la structure disponible pour le renvoi, le recyclage, et le traitement des batteries et des accumulateurs. La participation du client est indispensable pour réduire au minimum les effets des batteries et des accumulateurs sur l'environnement et la santé humaine en raison de la présence éventuelle de produits dangereux.

Avant de déposer les équipements électriques et électroniques (EEE) dans les installations de collecte des déchets, l'utilisateur final des équipements comprenant des batteries ou des accumulateurs doit retirer ces derniers pour une collecte séparée.

Directive relative aux déchets d'équipements électriques et électroniques (DEEE)



Tous les produits portant ce symbole deviennent des déchets d'équipements électriques et électroniques (DEEE dans la Directive européenne 2012/19/UE) qui ne doivent pas être mélangés aux déchets ménagers non triés. Vous devez contribuer à la protection de l'environnement et de la santé humaine en apportant l'équipement usagé à un point de collecte dédié au recyclage des équipements électriques et électroniques, agréé par le gouvernement ou les autorités locales. Le recyclage et la destruction appropriés permettront d'éviter tout impact potentiellement négatif sur l'environnement et la santé humaine. Contactez l'installateur ou les autorités locales pour obtenir plus d'informations concernant l'emplacement ainsi que les conditions d'utilisation de ce type de point de collecte.

Chargeur de batterie

ATTENTION

1. Le chargeur est conçu pour être utilisé à l'intérieur uniquement. Ne l'exposez pas à la pluie ou à la neige.
2. Ne pas utiliser pour des piles non rechargeables, car elles peuvent surchauffer et se casser.
3. Une mauvaise utilisation d'autres types de piles peut les faire éclater et provoquer des blessures et des dommages.
4. Ne pas incinérer, démonter ou court-circuiter les piles.
5. Si les performances des piles diminuent considérablement, il est temps de les remplacer.
6. Ranger le chargeur dans un endroit frais et sec lorsqu'il n'est pas utilisé.
7. Déconnecter l'alimentation avant d'effectuer ou de rompre les connexions avec la batterie.
8. Gaz explosifs. Éviter les flammes et les étincelles. Assurer une ventilation adéquate pendant la charge.
9. Pendant la charge, la batterie doit être placée dans un endroit bien ventilé.
10. Tenir les appareils électriques hors de portée des enfants ou des personnes infirmes. Ne les laissez pas utiliser les appareils sans surveillance.
11. Cet appareil n'est pas destiné à être utilisé par des personnes (y compris des enfants) dont les capacités physiques, sensorielles ou mentales sont réduites, ou qui manquent d'expérience et de connaissances, à moins qu'elles n'aient reçu une surveillance ou des instructions concernant l'utilisation de l'appareil de la part d'une personne responsable de leur sécurité.
12. Cet appareil peut être utilisé par des enfants âgés de 8 ans et plus et des personnes aux capacités physiques, sensorielles ou mentales réduites, ou manquant d'expérience et de connaissances, s'ils ont bénéficié d'une surveillance ou d'instructions concernant l'utilisation de l'appareil en toute sécurité et s'ils comprennent les risques encourus. Les enfants ne doivent pas jouer avec l'appareil. Le nettoyage et l'entretien ne doivent pas être effectués par des enfants sans surveillance.
13. Le câble flexible externe ou cordon de ce transformateur ne peut être remplacé ; si le cordon est endommagé, le transformateur doit être mis au rebut.
14. Si le cordon d'alimentation est endommagé, il doit être remplacé par un cordon ou un ensemble spécial disponible auprès du fabricant ou de son agent de service.

Instructions pour la charge

1. Connectez le chargeur directement à une source d'alimentation. Ne jamais utiliser de rallonge.
2. Le chargeur ne peut charger que des batteries au lithium-ion.
3. Éviter de charger à l'envers.
4. Les chargeurs ne sont pas destinés à charger des batteries automobiles.

 : Unité d'alimentation amovible

Bloc de batterie

ATTENTION

1. Ne pas démonter, ouvrir ou déchiqueter les piles ou batteries secondaires.
2. Tenir les piles hors de portée des enfants. L'utilisation des piles par les enfants doit être surveillée. Gardez en particulier les petites piles hors de portée des jeunes enfants.
3. Consulter immédiatement un médecin en cas d'ingestion d'une pile ou d'une batterie.
4. Ne pas exposer les piles ou les batteries à la chaleur ou au feu. Éviter le stockage en plein soleil.
5. Ne pas court-circuiter une pile ou une batterie. Ne pas ranger les piles ou les batteries au hasard dans une boîte ou un tiroir où elles risquent de se court-circuiter ou d'être court-circuitées par d'autres objets métalliques.
6. Ne pas retirer une pile ou une batterie de son emballage d'origine tant qu'elle n'est pas utilisée.
7. Ne pas soumettre les piles ou les batteries à des chocs mécaniques.
8. En cas de fuite d'une pile, ne pas laisser le liquide entrer en contact avec la peau ou les yeux. En cas de contact, laver la zone affectée avec de grandes quantités d'eau et consulter un médecin.
9. N'utilisez pas de chargeur autre que celui spécifiquement fourni pour l'équipement.
10. Respectez les marques plus (+) et moins (-) sur la cellule, la batterie et l'équipement et assurez-vous d'une utilisation correcte.
11. N'utilisez pas de piles ou de batteries qui ne sont pas conçues pour être utilisées avec l'équipement.
12. Ne pas mélanger des piles de fabrication, de capacité, de taille ou de type différents dans un même appareil.
13. Toujours acheter la batterie recommandée par le fabricant de l'appareil pour l'équipement.
14. Garder les piles et les batteries propres et sèches.
15. Essuyez les bornes de la cellule ou de la batterie avec un chiffon propre et sec si elles sont sales.
16. Les piles et batteries secondaires doivent être chargées avant d'être utilisées. Utilisez toujours le chargeur approprié et référez-vous aux instructions du fabricant ou au manuel de l'équipement pour les instructions de charge appropriées.
17. Ne pas laisser une batterie en charge prolongée lorsqu'elle n'est pas utilisée.
18. Après de longues périodes de stockage, il peut être nécessaire de charger et de décharger les cellules ou les batteries plusieurs fois pour obtenir des performances maximales.
19. Conserver la documentation originale du produit pour s'y référer ultérieurement.
20. Utiliser la cellule ou la batterie uniquement dans l'application pour laquelle elle a été conçue.
21. Dans la mesure du possible, retirez la batterie de l'équipement lorsqu'il n'est pas utilisé.
22. Mettez-la au rebut de manière appropriée.

1. Sicherheitshinweise

Übersetzung der ursprünglichen Mitteilung

WICHTIG! Bitte lesen Sie das Betriebsanleitung sorgfältig durch, bevor Sie das Produkt benutzen, und bewahren Sie es zum späteren Nachschlagen auf.

Ein ausführliches elektronisches Betriebsanleitung finden Sie unter www.naveetech.com

- Dieses Gerät ist nicht für Personen (einschließlich Kinder) mit eingeschränkten physischen, sensorischen oder geistigen Fähigkeiten oder mangelnder Erfahrung und Kenntnis bestimmt, es sei denn, sie werden von einer für ihre Sicherheit zuständige Person beaufsichtigt oder erhielten von ihr Anweisungen zum Gebrauch des Geräts. Kinder sollten beaufsichtigt werden, damit sie nicht mit dem Gerät spielen.
- Dieses Gerät ist für Personen über 8 Jahren und auch Personen mit eingeschränkten körperlichen, sensorischen oder geistigen Fähigkeiten oder mangelnder Erfahrung und Kenntnis bestimmt, wenn sie von einer für ihre Sicherheit zuständigen Person beaufsichtigt oder in die sichere Verwendung des Geräts eingewiesen wurden und die damit verbundenen Gefahren verstehen. Kinder dürfen nicht mit dem Gerät spielen.
- Reinigungs- und Wartungsarbeiten dürfen von Kindern nur unter Aufsicht durchgeführt werden.
- Das Gerät darf nur mit dem mitgelieferten Netzgerät verwendet werden.
- Bitte tragen Sie vor dem Fahren immer Schutzausrüstung wie einen Helm, Hand- und Handgelenkschützer, Knie- und Ellbogenschoner.
- Unsachgemäßes Fahren kann zu Stürzen oder schweren Unfällen führen.
- Der Scooter darf nur von einer Person und unter Tragen von geeigneten Schuhen gefahren werden. Dieses Produkt ist nur für den persönlichen Gebrauch und nicht für Akrobatik oder Stunts bestimmt.
- Das Produkt wird für Fahrer über 16 Jahren und unter 50 Jahren empfohlen. Nicht geeignet für das Fahren mit diesem Produkt sind unter anderem: (1) Personen, die unter Alkohol- oder Drogeneinfluss stehen; (2) Personen, die aus gesundheitlichen oder körperlichen Gründen keine anstrengenden körperlichen Aktivitäten ausüben können; (3) Personen, die ihr Gleichgewicht nicht halten können, z.B. wegen eingeschränkter motorischer Fähigkeiten; (4) Personen, deren Größe die Gewichtsgrenze überschreitet; (5) Schwangere Frauen; (6) Personen, die unter Seh- und/oder Hörbehinderungen leiden.
- Halten Sie beim Fahren mit diesem Produkt die örtlichen Rechtsvorschriften ein und fahren Sie nur in erlaubten Bereichen.
- Wenn Sie in Ländern und Regionen fahren, in denen es keine einschlägigen nationalen Normen und Vorschriften für Elektro-Scooter gibt, halten Sie sich bitte unbedingt an die Sicherheitsanforderungen für Fahrer in dieser Betriebsanleitung. SPACEWALKER PTE. LTD. übernimmt keine direkte Verantwortung und keine gesamtschuldnerische Haftung für alle Sach- und Personenschäden, Unfälle, Rechtsstreitigkeiten und alle anderen nachteiligen Ereignisse, die zu Interessenkonflikten führen, die durch Verhaltensweisen verursacht werden, die gegen die Benutzeranleitung verstoßen.
- Fahren Sie nicht auf Fahrspuren oder in Wohngebieten, in denen sowohl Fahrzeuge als auch Fußgänger zugelassen sind. Wenn Sie eine Stelle passieren, die für Fußgänger bestimmt ist, die das Recht auf Vorfahrt haben, wie z.B. einen Zebrastrifen, steigen Sie bitte ab und gehen Sie mit dem Scooter.
- Wählen Sie für Ihre erste Fahrt keine Orte, an denen Kinder, Fußgänger, Haustiere, Fahrzeuge, Fahrräder oder

andere Hindernisse und potenzielle Gefahren auftreten können.

- Notwendige Vorbereitungen für die Nutzung dieses Produkts, z. B. die Überprüfung der Lenkung auf korrekte Einstellung, die Überprüfung aller angeschlossenen Komponenten (z. B. des Faltsystems) auf korrekten Sitz und Unversehrtheit sowie die Überprüfung der Bremsen und Räder auf einwandfreien Zustand.
- Führen Sie vor jeder Fahrt eine grundlegende Inspektion des Elektro-Scooters durch. Bei abnormalen Zuständen wie lockeren Teilen, niedrigem Akkustand, platten Reifen oder übermäßigem Reifenverschleiß, seltsamen Geräuschen, Fehlfunktionen usw. beenden Sie sofort die Fahrt und holen Sie professionelle Hilfe.
- Nehmen Sie sich die Zeit, die Grundlagen der Praxis zu erlernen, um schwere Unfälle zu vermeiden, die in den ersten Monaten auftreten können. Informationen über die Praxis und ihre sichere Anwendung (verfügbar auf der Website www.naveetech.com)
- Um sicher zu fahren, müssen Sie in der Lage sein, den Bereich vor Ihnen deutlich zu sehen, und Sie müssen für andere gut sichtbar sein.
- Fahren Sie nicht bei schlechtem Wetter, schlechter Sicht oder nach starker körperlicher Anstrengung.
- Wenn Sie bei Dunkelheit fahren, schalten Sie das Scheinwerferlicht ein und verlangsamen Sie die Geschwindigkeit.
- Stellen Sie sicher, dass der Ständer auf einer ebenen Fläche abgestellt ist und der Kick-Scooter von alleine stabil steht, bevor Sie ihn verlassen.
- Dieser Elektro-Scooter ist ein Freizeitgerät. Wenn Sie damit jedoch einen öffentlichen Bereich betreten, ist er ein Verkehrsmittel mit den möglichen Sicherheitsrisiken für alle Verkehrsmittel. Das Fahren unter strikter Einhaltung der Anweisungen in diesem Betriebsanleitung schützt Sie und andere in höchstem Maße.
- Der Benutzer sollte die Nutzungseinschränkungen gemäß den örtlichen Regelungen überprüfen. Fahren Sie den Scooter nur auf den Straßen oder in den Bereichen, die durch die örtlichen Rechtsvorschriften erlaubt sind, und parken Sie ihn in den erlaubten Bereichen. Wenn die örtlichen Regelungen andere Vorgaben haben, haben sie Vorrang. Bitte respektieren und befolgen Sie die Sicherheitsvorschriften für Straßenverkehr.
- Respektieren Sie das Recht der Fußgänger und verunsichern Sie sie, insbesondere Kinder, während der Fahrt nicht. Wenn Sie hinter Fußgängern fahren, klingeln Sie, um sie zu warnen, und fahren Sie langsamer, um sie von links zu überholen. Halten Sie sich beim Überqueren rechts mit geringer Geschwindigkeit (gilt für Länder, in denen Fahrzeuge auf rechter Seite fahren). Wenn Sie an Fußgängern vorbeifahren, fahren Sie langsam oder steigen Sie ab.
- Auf jeden Fall fahrend Sie vorausschauend unter Beachtung der jeweiligen Verkehrsregeln für Straßen und Gehwege. Machen Sie sich von Fußgängern oder Radfahrern bemerkbar, wenn Sie ihnen nähern. Überqueren Sie geschützte Passagen zu Fuß. Meiden Sie Bereiche mit hohem Verkehrsaufkommen oder überfüllte Bereiche.
- Das Fahren mit hoher oder unangemessener Geschwindigkeit (bei schlechter Witterung, schlechtem Untergrund oder ähnlichem) kann zum Verlust der Stabilität oder der Kontrolle führen. Um jegliches Risiko zu verringern, befolgen Sie alle Anweisungen in dieser Anleitung. Seien Sie bei der Montage und Demontage des Produkts vorsichtig, da es umfallen und Verletzungen verursachen kann.
- Im Stadtverkehr gibt es viele Hindernisse wie Bordsteinkanten oder Stufen zu überqueren. Vermeiden Sie möglichst Hindernissprünge. Es ist wichtig, dass Sie vor dem Überqueren dieser Hindernisse Ihre Fahrlinie und Geschwindigkeit an die eines Fußgängers anpassen und vorausschauend fahren. Es wird auch empfohlen, vom Scooter abzusteigen, wenn die Hindernisse wegen ihrer Form, Höhe oder Rutschigkeit gefährlich sind.
- Verleihen Sie Ihren Scooter nicht an Personen, die mit der Bedienung nicht vertraut sind. Bevor Sie den Elektro-Scooter verleihen, seien Sie bitte sicher, dass der Fahrer dieses Betriebsanleitung gelesen, das Anleitungsvideo gesehen und die grundlegende Bedienung verstanden hat. Weisen Sie die Fahrer darauf hin, dass sie die richtige Schutzkleidung tragen, um ihre Sicherheit zu gewährleisten.

- Erkundigen Sie sich bei Ihrem Verkäufer nach geeigneten Schulungseinrichtungen.
- Achten Sie in jedem Fall auf sich und andere.
- Jede Last am Lenker beeinträchtigt die Fahrzeugstabilität.
- Berühren Sie das Bremssystem nicht, da es wegen scharfer Kanten zu Verletzungen führen kann. Die Bremse kann bei Gebrauch heiß werden. Fassen Sie sie nach dem Gebrauch nicht an.
- Der A-gewichtete Emissionsschalldruckpegel beträgt unter 70dB(A).
- Für ein besseres Fahrgefühl wird empfohlen, das Produkt regelmäßig zu warten.
- Beseitigen Sie alle scharfen Kanten, die durch den Gebrauch entstehen.
- Zubehör und zusätzliche Gegenstände, die nicht vom Hersteller zugelassen sind, dürfen nicht verwendet werden.
- Die regelmäßige Wartung des Fahrzeugs ist ein Faktor der Sicherheit.
- Die selbstspannenden Muttern sowie die anderen selbstspannenden Verschlüsse können ihre Wirksamkeit verlieren und müssen eventuell nachgezogen werden.
- Überprüfen Sie regelmäßig den festen Sitz der verschiedenen Schraubverbindungen, insbesondere der Radachsen, des Klappsystems, der Lenkung und der Bremswelle.
- Nehmen Sie keine Veränderungen oder Umbauten am Fahrzeug vor, einschließlich des Lenkrohrs und der Hülse, des Vorbaus, des Klappmechanismus und der Hinterradbremse.
- Nehmen Sie keine Änderungen vor, die nicht in der Anleitung vermerkt sind.
- Achten Sie darauf, dass der Scooter beim Transport ausgeschaltet ist und möglichst in der Originalverpackung liegt.
- Um Verletzungen wie Stromschlag und Brand durch unsachgemäßen Gebrauch zu vermeiden, lesen Sie bitte die Anleitung vor dem Gebrauch sorgfältig durch und bewahren Sie sie zum späteren Nachschlagen auf.
- Bitte verwenden Sie dieses Produkt gemäß den Anweisungen im Benutzerhandbuch. Der Benutzer ist für alle Verluste oder Schäden durch unsachgemäßen Gebrauch dieses Produkts verantwortlich.
- Schalten Sie das Fahrzeug während des Ladevorgangs aus oder versetzen Sie es in einen nicht betriebsbereiten Modus.
- Laden Sie nicht, wenn der Ladeanschluss oder das Ladekabel nass ist. Lesen Sie diese Anleitung vor dem Aufladen sorgfältig durch.
- Laden Sie den Scooter nicht bei einer Umgebungstemperatur über 40° C oder unter 0° C auf.
- Bitte halten Sie einen Sicherheitsabstand ein, wenn der Tretroller auf einer ebenen Straße oder ohne Rampe fährt. Bei nassem Wetter verlängert sich der Bremsweg.
- Die Stoßdämpfung dieses Produkts ist nicht einstellbar (sofern zutreffend).
- Das Gerät ist nicht für den Gebrauch in Höhenlagen über 2000 m über dem Meeresspiegel vorgesehen.
- Das Gerät muss während der Wartung und beim Austausch von Teilen von der Stromquelle getrennt werden.
- Das externe flexible Kabel dieses Transformators (Ladegeräts) kann nicht ausgetauscht werden. Wenn das Kabel beschädigt ist, muss der Transformator (das Ladegerät) verschrottet werden.
- Wenn das externe flexible Kabel oder die Leitung dieses Transformators beschädigt ist, sollte es vom Hersteller, seinem Kundendienst oder einer ähnlich qualifizierten Person ersetzt werden, um Gefahren zu vermeiden.
- Wenn das Netzkabel beschädigt ist, muss es durch den Hersteller, seinen Kundendienst oder ähnlich qualifizierte

Personen ersetzt werden, um eine Gefährdung zu vermeiden.

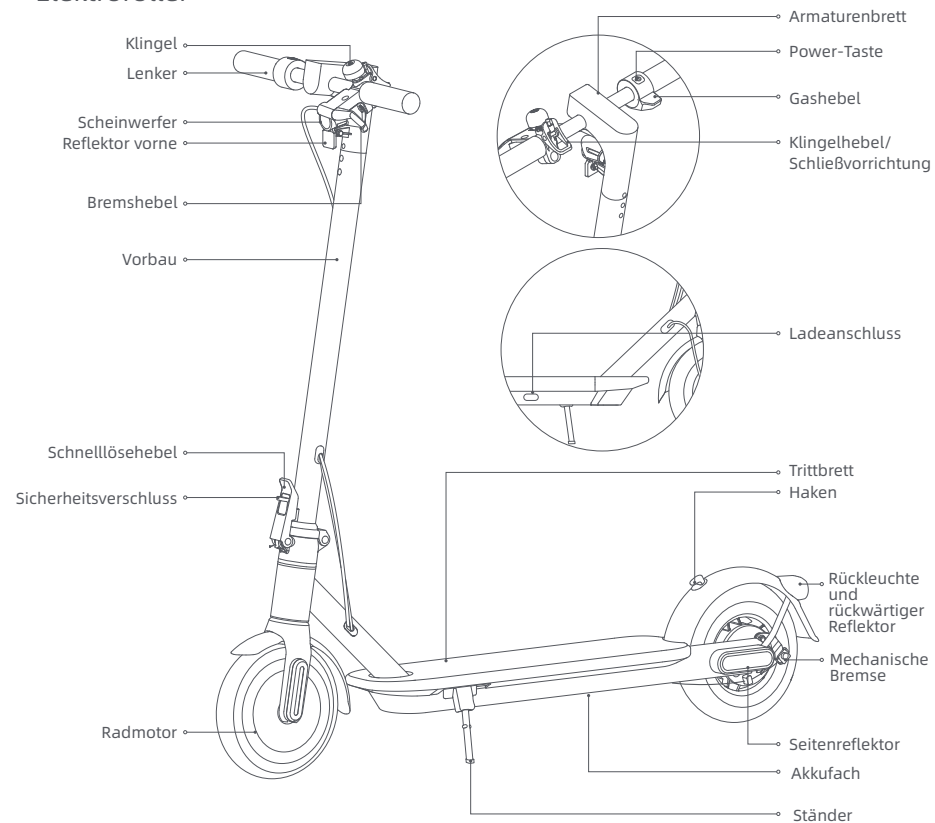
- Dieses Produkt enthält Batterien, die nur vom Fachpersonal oder Kundendienst ausgetauscht werden können.
- Dieses Gerät enthält Akkus, die nur von Fachleuten ausgetauscht werden dürfen.
- **WARNUNG! Verwenden Sie zum Aufladen des Akkus nur das mitgelieferte abnehmbare Netzteil. Verwenden Sie kein Ladegerät eines anderen Produkts. Halten Sie beim Aufladen einen Sicherheitsabstand zu den umliegenden Brennstoffen ein, das Fahrzeug muss in einem gut belüfteten Bereich aufgestellt werden.**
- **WARNUNG! Verwenden Sie keine Akkus oder Akkuladegeräte von Drittanbietern. Verwenden Sie nur das Netzteil FY0422521500E.**
- **WARNUNG! Halten Sie die Kunststoffabdeckung von Kindern fern, um Erstickungsgefahr zu vermeiden.**
- **WARNUNG! Verwenden Sie das Produkt niemals in der Nähe einer Wasserquelle.**
- **WARNUNG! Sie dürfen das Produkt nicht wenden, wenn es beschädigt ist.**
- **WARNUNG! Wie jedes mechanische Bauteil ist auch ein Fahrgerät hohen Belastungen und starkem Verschleiß unterworfen. Die verschiedenen Materialien und Komponenten können unterschiedlich auf Verschleiß oder Ermüdung reagieren. Wenn die zu erwartende Lebensdauer eines Bauteils überschritten ist, kann es plötzlich brechen, wodurch die Verletzungsgefahr für den Benutzer besteht. Risse, Kratzer und Verfärbungen in den stark beanspruchten Bereichen deuten darauf hin, dass das Bauteil seine Lebensdauer überschritten hat, und Sie sollten sich an eine autorisierte oder spezialisierte Werkstatt wenden.**

Achten Sie bei der Verwendung auf Quetsch- und Einklemmgefahren an den folgenden Stellen:

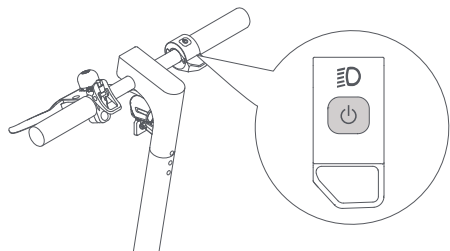
1. Zwischen dem Lenker und dem Vorbau, wenn der Lenker installiert wird.
2. Öffnungen an den Rädern.
3. Zwischen dem vorderen Radspritzschutzblech und dem Trittbrett.
4. Zwischen dem Schnellspannerhebel und dem Schnellspannverriegelungshebel und zwischen der Klappverbindung und dem Vorbau, wenn Sie das Fahrrad zusammenklappen oder aufklappen.
5. Zwischen den Radspritzschutzblechen und den Rädern.

2. Produktübersicht

Elektroroller

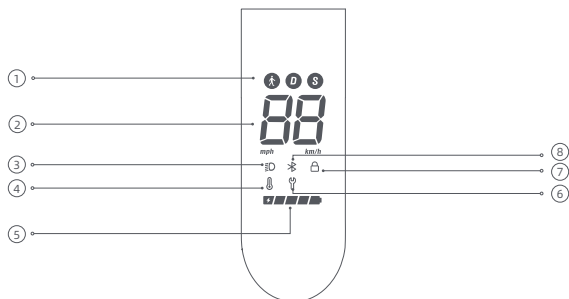


Ein-/Auschalten





Drücken Sie die Taste , um den Tretroller einzuschalten, und halten Sie die Taste  2 bis 3 Sekunden lang gedrückt, um den Roller auszuschalten. Wenn der Tretroller eingeschaltet ist, drücken Sie zweimal, um den Fahrmodus zu ändern.

Armaturenbrett



- ① Fahrmodi:  steht für Gehmodus mit einer Höchstgeschwindigkeit von 6km/h. Das Rücklicht blinkt bei diesem Modus rot. D steht für Standardmodus. S steht für Sportmodus.
- ② Geschwindigkeitsmesser: Zeigt die aktuelle Geschwindigkeit an, wenn der Scooter in Betrieb ist. Bei Problemen zeigt er einen Fehlercode an. Beim Aufladen zeigt er den aktuellen Akkustand an.

- ③ Licht: Das Aufleuchten von  bedeutet, dass der Scheinwerfer und das Rücklicht eingeschaltet sind, und das Erlöschen von  bedeutet, dass der Scheinwerfer und das Rücklicht ausgeschaltet sind. Schalten Sie den Roller ein und drücken Sie die Ein-/Aus-Taste, um den Scheinwerfer und das Rücklicht ein- oder auszuschalten.
- ④ Temperaturwarnung: Wenn die Akku-Temperatur zu hoch oder zu niedrig ist, leuchtet das Thermometer-Symbol auf. Erst wenn die Akku-Temperatur im normalen Betriebsbereich liegt, benutzen oder laden Sie den Scooter.
- ⑤ Akkustand: Der Akkustand wird durch 5 Balken angezeigt, die jeweils etwa 20% eines vollen Akkus entsprechen.
- ⑥ Fehlermeldung: Wenn das Schraubenschlüssel-Symbol rot leuchtet, dann hat der Scooter einen Fehler.
- ⑦ Verriegelung: Wenn das Symbol aufleuchtet, bedeutet dies, dass der Roller gesperrt ist. Sie können den Roller über die NAVEE- App verriegeln/entriegeln.
- ⑧ Bluetooth: Das Bluetooth-Symbol ist immer eingeschaltet und zeigt an, dass der Scooter erfolgreich mit dem Mobilgerät verbunden wurde.

3. Pflege und Wartung

Reinigen

Bevor Sie den Scooter reinigen, müssen Sie den Strom ausschalten, das Ladekabel ausstecken und den Ladedeckel fest verschließen.

Wischen Sie das Hauptchassis mit einem weichen, feuchten Tuch ab, schwer zu entfernenden Schmutz können Sie mit einer Zahnbürste abbürsten. Wischen Sie anschließend alle Bereiche mit einem trockenen Tuch ab.

WARNUNG!

- Waschen Sie den Scooter nicht mit einem Hochdruckreiniger.
- Reinigen Sie den Scooter nicht mit ätzenden Reinigungsmitteln, die die äußere und innere Struktur des Scooters beschädigen.

Akku

Laden Sie immer auf, bevor der Akku ganz leer wird, um die Lebensdauer des Akkus zu verlängern.

Überschreiten Sie beim Fahren, Lagern oder Laden nicht die angegebene Temperaturgrenze (siehe Technische Daten). Die Nichtbeachtung der Benutzungs-, Lager- oder Ladeanweisungen kann zur Beschädigung des Akkus, zum Ausfall der Ladung und zum Erlöschen der Garantie führen.

Der voll aufgeladene Scooter hat eine ungefähre Standby-Zeit von 120-180 Tagen. Wenn er längere Zeit nicht benutzt wird, sollte er alle 60 Tage aufgeladen werden. Bitte achten Sie auf die Standby-Zeit, um irreversible Schäden am Akku durch Nichtaufladen zu vermeiden.

WARNUNG!

- Verwenden Sie keine Akkus anderer Modelle oder Marken, da sie ein Sicherheitsrisiko darstellen kann.
- Verwenden Sie nur das originale Akkuladegerät, um mögliche Schäden oder Brände zu vermeiden.
- Wenn der Akku beschädigt oder mit Wasser getränkt ist, darf er nicht geladen oder weiter verwendet werden.
- Nehmen Sie den Akku nicht heraus. Das Ausbauen des Akkus ist kompliziert und eine unsachgemäße Handhabung kann den Betrieb des Scooters beeinträchtigen.

Lagerung

Wenn der Scooter über einen längeren Zeitraum nicht benutzt wird, laden Sie ihn vollständig auf, schalten Sie ihn dann aus und lagern Sie ihn an einem kühlen, trockenen Ort. Laden Sie den Scooter mindestens alle 2 Monate auf, um Akkuschäden zu vermeiden. Stellen Sie sicher, dass der Scooter beim Transport ausgeschaltet ist und möglichst in seiner Originalverpackung liegt.

WARNUNG!

- Bitte lassen Sie den Scooter nicht für längere Zeit in der heißen Sonne oder an einem sehr feuchten Ort stehen.
- Bitte stellen Sie den Scooter nicht in der Nähe von brennbaren Stoffen ab.
- Dieses Produkt enthält eine eingebaute Lithiumbatterie und darf nur dann transportiert werden, wenn es die örtlichen Gesetze und Vorschriften erlauben.

Hinweise zum Umweltschutz

Der Scooter enthält ein wiederaufladbares Lithium-Ionen-Akkupack, dessen unsachgemäße Entsorgung die Umwelt belastet. Folgen Sie den nachstehenden Schritten, um die Akkus zu entnehmen, bevor Sie den Scooter entsorgen, und entsorgen Sie die Akkus umweltgerecht:

1. Bevor Sie die Batterie entfernen, schalten Sie den Strom ab und entladen Sie sie vollständig. Dann reißen Sie die Fußplatte ab und lösen Sie die Befestigungsschrauben zwischen Pedal und Rahmen, um das Fußpedal zu öffnen.
2. Ziehen Sie den Akkustecker ab und nehmen Sie die Akkus heraus. Achten Sie darauf, dass das Akkugehäuse nicht beschädigt wird, um Verletzungsgefahr zu vermeiden. Die Batterie nicht mehr verwenden, wenn sie beschädigt ist, seltsamen Geruch abgibt, Rauch ausstößt oder überhitzt wurde. Halten Sie eine auslaufende Batterie von anderen Gegenständen fern.
3. Entsorgen Sie die entnommenen Akkus in einer fachgerechten Recyclinganlage.

Scooter-Wartungsplan (empfohlen):

Regelmäßige Wartung des Rollers trägt dazu bei, ihn in einem sauberen und guten Zustand zu halten, Sicherheitsrisiken zu vermeiden, Pannen zu minimieren, den Verschleiß des Rollers zu verlangsamen und die Nutzungsdauer des Rollers zu verlängern.

Punkt	Serviceobjekt	Aktionen	Jeden Monat	Alle 3 Monate	Alle 500km / 6 Monate	Alle 1000km / 1 Jahr	Alle 10.000km / 3 Jahre
Reifen	Abnutzung des Reifenprofils	Den Reifen auf Risse, Verformung, Abnutzung usw. prüfen.			✓	✓	✓
Schrauben	Schrauben am Lenker	Die Schraube, die den Lenker mit dem Vorbau verbindet, festziehen (mit dem empfohlenen Anzugmoment von $3,0 \pm 0,5$ N·m).		✓	✓	✓	✓
		Die Gaspedalschraube anziehen (mit dem empfohlenen Drehmoment von $1,6 \pm 0,1$ N·m). Die Schraube des Bremshebels festziehen (mit dem empfohlenen Drehmoment von $5,5 \pm 0,5$ N·m).				✓	✓

Punkt	Serviceobjekt	Aktionen	Jeden Monat	Alle 3 Monate	Alle 500km / 6 Monate	Alle 1000km / 1 Jahr	Alle 10.000km / 3 Jahre
Funktionen	Einstellung der Bremse	<p>Bevor Sie Einstellungen vornehmen, stellen Sie sicher, dass der Roller ausgeschaltet ist und nicht geladen wird.</p> <p>Werkzeug: 5 mm-Inbusschlüssel (muss vom Benutzer bereitgestellt werden).</p> <p>Wenn die Bremse zu fest angezogen ist, drehen Sie mit dem Werkzeug die Mutter am Gewindestift gegen den Uhrzeigersinn, um den freiliegenden unteren Teil des Bremskabels leicht zu verkürzen.</p> <p>Wenn die Bremse zu locker ist, drehen Sie mit dem Werkzeug die Mutter am Gewindestift im Uhrzeigersinn, um den freiliegenden unteren Teil des Bremskabels leicht zu verlängern.</p>			✓	✓	✓
	Aufladung	Den Roller bei einer geeigneten Temperatur aufladen. Die Anzeige am Batterieladegerät leuchtet rot, wenn der Roller geladen wird, und wird grün, wenn der Roller vollständig aufgeladen ist. Das Bedienfeld zeigt den Ladestatus während des Ladevorgangs zugleich an.			✓	✓	✓
	Lenkung	Den Lenker um 60° nach links und rechts drehen, um sicherzustellen, dass der Lenkwinkel richtig ist und die Lenkung frei von Widerstand und Blockade ist.				✓	✓
Wichtige Komponenten	Batterieeinheit	Den Roller vollständig aufladen, bevor er für längere Zeit unbenutzt wird, und ihn alle 60 Tage zum Aufladen einschalten.					✓

Wenn Räder, Bremsbeläge und andere empfindliche Teile abgenutzt oder beschädigt sind und ersetzt werden müssen, wenden Sie sich bitte rechtzeitig an den Kundendienst.

Um eine qualifizierte Servicestelle zu finden, kontaktieren Sie uns bitte über service@navee.tech / www.naveetech.com

4. Spezifikationen

Produkt	Bezeichnung	NAVEE Electric Scooter		
	Modell	EasyRide 20-E	EasyRide 20-D	EasyRide 20-S
Abmessungen	Fahrzeug: L x B x H (mm) ^[1]	1086 x 463 x 1099		
	Zusammengeklappt: L x B x H (mm)	1086 x 461 x 473		
Nettogewicht	Nettogewicht des Fahrzeugs (kg)	14,0		
	Last (kg)	25-90		
Fahrer	Alter (Jahre)	16-50		
	Körpergröße (cm)	120-200		
Montierter Elektroroller	Höchstgeschwindigkeit (km/h)	25	20	20
	Allgemeine Reichweite (km) ^[2]	ca. 20		
	Max. Steigwinkel (%)	ca. 14		
	Geeignete Oberflächen	Beton- oder Asphaltstraßen mit Schwellen unter 1 cm bzw. Spalten unter 3 cm.		
	Betriebstemperatur (°C)	-10 bis 40		
	Lagertemperatur (°C)	-20 bis 45		
	Schutzgrad	IPX5		
	Ladedauer (h)	ca. 6		
Akkupack	Modell	T2417-B63A		
	Nennspannung (VDC)	21,6		
	Max. Eingangsspannung (VDC)	25,2		
	Energieverbrauch (Wh)	165,24		
	Intelligentes Akkuverwaltungssystem	Schutz vor Überhitzung, Kurzschluss, Überstrom, Überentladung und Überladung		
Radmotor	Normaler Temperaturbereich während des Ladens (°C)	0 bis 40		
	Nennleistung (Ah)	7,65		
	Nennleistung (kW; W)	0,3; 300	0,3; 300	0,25; 250
Akkuladegerät	Modell ^[3]	FY0422521500E		
	Ausgangsleistung (kW; W)	0,0378; 37,8		
	Eingang	100-240 V~ 50/60 Hz		
	Nennausgangsspannung/-strom (VDC; A)	25,2; 1,5		
Reifen	Vorder- und Hinterradreifen	Wartungsfreie innere Hohlreifen		
Bluetooth	Frequenzbereich(e)	2,4000-2,4835 GHz		
	Max. Funkleistung (dBm)	8		

[1] Fahrzeughöhe: vom Boden zum höchsten Punkt des Rollers.

[2] Allgemeine Reichweite: gemessen bei Windstille und 25 °C, voll geladenem Roller und einer gleichmäßigen Fahrgeschwindigkeit von 15 km/h auf ebener Oberfläche und mit einer Last von 75 kg.

[3] Zum Laden des Akkus verwenden Sie nur das in dieser Verpackung mitgelieferte Ladegerät. Die Parameter des Akkuladegeräts entnehmen Sie bitte den Spezifikationen.

5. Zertifikationen

RoHS-Richtlinie

Dieses Produkt von SPACEWALKER PTE. LTD. erfüllt mit den mitgelieferten Teilen (Kabel, Schnüre usw.) die Beschränkung der Verwendung bestimmter gefährlicher Stoffe in Elektro- und Elektronikgeräten gemäß Anhang II der Richtlinie 2011/65/EU und deren Änderungsrichtlinie (EU) 2015/863.

EU-Konformitätserklärung



Dieses Gerät erfüllt die EU-Anforderungen zur Begrenzung der Exposition der Bevölkerung gegenüber elektromagnetischen Feldern. Hiermit bestätigt SPACEWALKER PTE. LTD. dass das Funkgerät des Typs [EasyRide 20-E], [EasyRide 20-D] und [EasyRide 20-S] mit der Verordnung 2014/53/EU und 2006/42/EG in Einklang steht. Der vollständige Wortlaut der EU-Konformitätserklärung ist unter der folgenden Internetadresse abrufbar: www.naveetech.com

Entsorgung von elektrischen und elektronischen Geräten



Batterien und ihre Verpackungen sind gemäß der EU-Richtlinie 2006/66/EG sowie deren Änderung durch Richtlinie 2013/56/EU über Batterien und Akkumulatoren sowie Altbatterien und Altakkumulatoren gekennzeichnet. Die Richtlinie bestimmt das in der gesamten EU gültige System für die Rückgabe und das Recycling von gebrauchten Batterien und Akkumulatoren. Dieses Kennzeichen findet sich auf verschiedenen Batterien und gibt an, dass die Batterie nicht entsorgt, sondern gemäß dieser Richtlinie wiederverwertet werden muss.

Batterien und Akkumulatoren sind gemäß EU-Richtlinie 2006/66/EG sowie deren Änderung durch Richtlinie 2013/56/ EU mit einer Kennzeichnung versehen, die angibt, dass sie nach Ablauf ihrer Nutzungsdauer getrennt zu sammeln und der Wiederverwertung zuzuführen sind. Das Kennzeichen auf der Batterie kann auch ein chemisches Zeichen für das in der Batterie enthaltene Metall (Pb für Blei, Hg für Quecksilber und Cd für Cadmium) aufweisen. Die Nutzer von Batterien und Akkumulatoren müssen diese gemäß dem verfügbaren Sammelsystem für Rückgabe, Recycling und Wiederaufbereitung von Batterien und Akkumulatoren getrennt entsorgen. Die Mitwirkung der Kunden spielt für die Eingrenzung der möglichen Auswirkungen von Batterien und Akkumulatoren auf Umwelt und Gesundheit durch die potenziell enthaltenen gefährlichen Substanzen eine wesentliche Rolle. Bevor Elektro- und Elektronikgeräte (EEE) in den Entsorgungskreislauf oder in Abfallsammelanlagen gelangen, muss der Endverbraucher von Geräten, die Batterien und/oder Akkumulatoren enthalten, diese Batterien und Akkumulatoren zur getrennten Sammlung entfernen.

Richtlinie über Elektro- und Elektronik-Altgeräte (WEEE)



Das Symbol auf dem Produkt oder der Verpackung bedeutet, dass das Produkt einer getrennten Erfassung für elektrische und elektronische Geräte zugeführt werden muss und nicht über den normalen Haushaltsabfall entsorgt werden darf. Bitte entnehmen Sie Batterien und Lampen, die nicht vom Gerät umschlossen sind, vor der Abgabe aus dem Gerät und entsorgen diese über die offiziellen Sammelstellen für Batterien und Lampen.

Beim Kauf eines neuen Elektrogerätes können Sie beim Vertreter ein gleichartiges Altgerät unentgeltlich zurückgeben. Elektrogeräte mit einer Kantenlänge von maximal 25 cm können unentgeltlich bei Vertreibern von Elektro- und Elektronikgeräten mit einer Verkaufsfläche von mindestens 400 m² sowie größeren Supermärkten abgegeben werden, ohne dass ein Neugerät erworben werden muss. Größere Elektrogeräte können kostenlos bei kommunalen Wertstoffhöfen abgegeben werden.

Durch die korrekte Entsorgung tragen Sie dazu bei, negative Auswirkungen auf die Umwelt und die menschliche Gesundheit zu vermeiden, die durch unsachgemäße Erfassung und Behandlung von Elektroaltgeräten entstehen können.

Bitte löschen Sie sämtliche personenbezogenen Daten auf dem Gerät, bevor Sie es entsorgen. Für weitere Informationen kontaktieren Sie bitte Ihre Kommunalverwaltung, Ihren örtlichen Abfallentsorger oder das Geschäft, in dem Sie das Produkt erworben haben.

Sicherheitswarnung



Wichtig!
Vor der Benutzung das
Benutzerhandbuch lesen.



WARNUNG!
Sorgfältig durchlesen und zum
Nachschlagen aufbewahren.



Warnung!
Heiße Oberfläche.



Nicht der Feuchtigkeit aussetzen



Scheinwerfer



SMPS mit kurzschlussfestem
Sicherheitstrenntransformator
(inhärent oder nicht inhärent)



SMPS (Schaltnetzteil)



Feinsicherungseinsatz mit
Zeitverzögerung, wobei X das Symbol
für die Zeit/Stromcharakteristik gemäß
IEC 60127 ist



WARNUNG!
Nur zum Gebrauch in Innenräumen
(das Ladegerät).



ACHTUNG
Gerät der Schutzklasse II



Warnung!
Scharfe Kanten.



Das Ladegerät ist für die Verwendung in
Höhenlagen bis zu 5000 m bestimmt.



Blinker



Gleichstrom



Wechselstrom



Polarität des Ladegerätausgangs,
Mitte positiv

Akkuladegerät

WARNUNG

1. Das Ladegerät ist nur für den Gebrauch in Innenräumen vorgesehen. Setzen Sie es nicht Regen oder Schnee aus.
2. Verwenden Sie es nicht für nicht wiederaufladbare Akkus, da diese überhitzen und kaputt gehen können.
3. Andere Akkutypen können bei unsachgemäßer Verwendung platzen und Verletzungen und Schäden verursachen.
4. Akkus dürfen nicht verbrannt, zerlegt oder kurzgeschlossen werden.
5. Wenn die Leistung des Akkus erheblich nachlässt, ist Zeit, die Akkus zu ersetzen.
6. Bewahren Sie das Ladegerät an einem kühlen und trockenen Ort auf, wenn Sie es nicht verwenden.
7. Trennen Sie die Stromversorgung, bevor Sie die Verbindungen zum Akku herstellen oder trennen.
8. Explosive Gase. Vermeiden Sie Flammen und Funken. Sorgen Sie während des Ladevorgangs für ausreichende Belüftung.
9. Während des Ladevorgangs muss der Akku an einem gut belüfteten Ort platziert werden.
10. Bewahren Sie Elektrogeräte außerhalb der Reichweite von Kindern oder gebrechlichen Personen auf. Lassen Sie sie die Geräte nicht ohne Aufsicht benutzen.
11. Dieses Gerät ist nicht für die Verwendung durch Personen (einschließlich Kinder) mit eingeschränkten körperlichen, sensorischen oder geistigen Fähigkeiten oder mangelnder Erfahrung und Kenntnis bestimmt. Solange sie von einer für ihre Sicherheit verantwortlichen Person beaufsichtigt werden oder Anweisungen zur Verwendung des Geräts erhalten.
12. Dieses Gerät kann von Kindern ab 8 Jahren und darüber sowie von Personen mit eingeschränkten körperlichen, sensorischen oder geistigen Fähigkeiten oder mangelnder Erfahrung und Kenntnis verwendet werden, wenn sie beaufsichtigt oder in die sichere Verwendung des Geräts eingewiesen werden und die damit verbundenen Gefahren ohne Aufsicht durchgeführt werden.
13. Das externe flexible Kabel oder Kabel dieses Transformators kann nicht ersetzt werden. Wenn das Kabel beschädigt ist, muss der Transformator verschrottet werden.
14. Wenn das Netzkabel beschädigt ist, muss es durch ein spezielles Kabel oder eine spezielle Baugruppe ersetzt werden, die beim Hersteller oder seinem Kundendienst erhältlich sind.

Anweisungen zum Aufladen

1. Schließen Sie das Ladegerät direkt an eine Stromquelle an. Verwenden Sie keine Verlängerungskabel.
2. Das Ladegerät kann nur Lithium-Ionen-Akkus aufladen.
3. Vermeiden Sie eine umgekehrte Aufladung.
4. Die Ladegeräte sind nicht zum Laden von Auto-Akkus geeignet.

 abnehmbares Netzteil

Akkupack

WARNUNG

1. Sekundärzellen oder Akkus nicht zerlegen, öffnen oder zerkleinern.
2. Bewahren Sie Akkus außerhalb der Reichweite von Kindern auf. Die Verwendung von Akkus durch Kinder sollte beaufsichtigt werden. Bewahren Sie insbesondere kleine Akkus außerhalb der Reichweite von Kleinkindern auf.
3. Suchen Sie sofort einen Arzt auf, wenn eine Knopfzelle oder Akku verschluckt wurde.
4. Setzen Sie die Zellen oder Batterien nicht der Hitze oder dem Feuer aus. Vermeiden Sie die Lagerung in direktem Sonnenlicht.
5. Schließen Sie eine Knopfzelle oder einen Akku nicht kurz. Lagern Sie Knopfzellen oder Akkus nicht willkürlich in einer Kiste oder Schublade, wo sie sich gegenseitig kurzschließen oder durch andere Metallgegenstände kurzgeschlossen werden könnten.
6. Nehmen Sie eine Knopfzelle oder einen Akku erst dann aus der Originalverpackung, wenn Sie sie verwenden möchten.
7. Setzen Sie Zellen oder Akkus keinen mechanischen Erschütterungen aus.
8. Falls eine Knopfzelle ausläuft, darf die Flüssigkeit nicht mit der Haut oder den Augen in Berührung kommen, sondern muss mit reichlich Wasser abgewaschen und ein Arzt aufgesucht werden.
9. Verwenden Sie keine anderen Ladegeräte als die, die speziell für das Gerät vorgesehen sind.
10. Beachten Sie die Plus- (+) und Minus-Markierungen (-) an der Zelle, der Batterie und dem Gerät und achten Sie darauf, dass sie ordnungsgemäß verwendet werden.
11. Verwenden Sie keine Knopfzellen oder Akkus, die nicht für die Verwendung mit dem Gerät vorgesehen sind.
12. Mischen Sie keine Knopfzellen unterschiedlicher Herstellung, Kapazität, Größe oder Typs in einem Gerät.
13. Kaufen Sie immer den vom Gerätehersteller für das Gerät empfohlenen Akku.
14. Halten Sie Knopfzellen und Akkus sauber und trocken.
15. Wischen Sie die Knopfzellen- oder Akkupole mit einem sauberen, trockenen Tuch ab, wenn sie verschmutzt sind.
16. Sekundärzellen und Akkus müssen vor der Verwendung aufgeladen werden. Verwenden Sie immer das richtige Ladegerät und lesen Sie die Anweisungen zum korrekten Laden in den Anweisungen des Herstellers oder im Betriebsanleitung nach.
17. Lassen Sie einen Akku nicht über einen längeren Zeitraum aufgeladen, wenn er nicht verwendet wird.
18. Nach längerer Lagerung kann es erforderlich sein, die Knopfzellen oder Akkus mehrmals zu laden und zu entladen, um die maximale Leistung zu erzielen.
19. Bewahren Sie die Original-Produktliteratur zum späteren Nachschlagen auf.
20. Benutzen Sie die Knopfzelle oder Akku nur für den vorgesehenen Verwendungszweck.
21. Wenn möglich, nehmen Sie den Akku aus dem Gerät, wenn es nicht verwendet wird.
22. Entsorgen Sie den Akku ordnungsgemäß.

1. Instruções de Segurança

Instruções originais

IMPORTANTE! Por favor, leia atentamente antes de utilizar o produto e guarde-o para referência futura. Para obter informações detalhadas sobre o manual electrónico, visite www.naveetech.com

- Este aparelho não se destina a ser utilizado por pessoas (incluindo crianças) com capacidades físicas, sensoriais ou mentais reduzidas, ou com falta de experiência e conhecimento, a não ser que lhes tenha sido dada supervisão ou instruções relativas à utilização do aparelho por uma pessoa responsável pela sua segurança. **A**s crianças devem ser vigiadas para garantir que não brincam com o aparelho.
- Este aparelho destina-se a condutores com mais de 8 anos de idade e pessoas físicas e com menos física, capacidades sensoriais ou mentais ou falta de experiência e conhecimento, caso tenham sido supervisionadas ou lhes tenham sido dadas instruções relativas à utilização segura do aparelho e compreendam os perigos envolvidos. **C**rianças não devem brincar com o aparelho. **A** limpeza e a manutenção do utilizador não devem ser efectuadas por crianças sem supervisão.
- O aparelho deve ser utilizado apenas com a fonte de alimentação fornecida com o aparelho.
- **A**ntes de conduzir, utilize capacetes, protetores de mão/punho, joelheiras, cotoveleiras e outros equipamentos de proteção o tempo todo.
- **A** trotineta deve ser utilizada apenas por uma pessoa. É obrigatório utilizar sempre calçados. Não desvie o uso do veículo. Este produto destina-se apenas a utilização pessoal e não se destina a utilização acrobática.
- O produto é recomendado para condutores com idade superior a 16 anos e idade inferior a 50 anos. Pessoas que não são adequadas para conduzir este produto incluem: (1) pessoas sob a influência de álcool ou drogas, (2) pessoas incapazes de exercer actividades físicas extenuantes devido a condições sanitárias ou físicas, (3) pessoas incapazes de manter o seu equilíbrio ou que não possam manter o seu equilíbrio devido a competências motoras prejudicadas, (4) pessoas cuja dimensão exceda o limite de peso, (5) mulheres grávidas, (6) pessoas que sofrem de deficiências visuais e/ou auditivas.
- **R**espete as leis e os regulamentos locais ao conduzir este produto. **N**ão conduza quando proibido pelas leis locais.
- Ao conduzir em países e regiões onde não existam normas e regulamentos nacionais relevantes para trotinetas eléctricas, certifique-se de que respeita rigorosamente os requisitos de segurança para os condutores neste manual de utilização. A SPACEWALKER PTE. LTD. não assumirá qualquer responsabilidade directa e conjunta e responsabilidade por todos os bens, perdas pessoais, acidentes, disputas legais, e todos os outros eventos adversos que causem conflitos de interesse causados pelo uso de comportamentos em violação das instruções de uso.
- Não conduza em vias de circulação ou áreas residenciais onde sejam permitidos veículos e peões. Ao passar por um lugar designado para peões que têm direito às leis do direito de passagem, como a faixa de pedestres, por favor, saia para caminhar junto com a trotineta.
- Não escolha locais onde crianças, peões, animais de estimação, veículos, bicicletas ou outros obstáculos

potenciais perigos possam surgir durante a primeira viagem.

- Os preparativos necessários para a utilização deste produto incluem: assegurar que o sistema de direcção está correctamente ajustado, que todos os acessórios conectados (como o sistema de dobragem) estão correctamente apertados e não estão danificados, e que os travões e as rodas estão em boas condições.
- Efectue uma inspecção básica da trotineta eléctrica antes de cada viagem. Se existirem condições anormais, tais como peças soltas, alertas de bateria fraca, pneus vazios ou desgaste excessivo dos pneus, sons estranhos, avarias e outras condições anormais, pare imediatamente a condução e peça apoio profissional.
- Os preparativos necessários para a utilização deste produto incluem: assegurar que o sistema de direcção está correctamente ajustado, que todos os acessórios conectados (como o sistema de dobragem) estão correctamente apertados e não estão danificados, e que os travões e as rodas estão em boas condições.
- Para conduzir em segurança, deve ser capaz de ver claramente o que está à sua frente e deve estar claramente visível para os outros.
- Não conduza em condições meteorológicas adversas, visibilidade reduzida ou após um esforço físico intenso.
- Ligue o farol e diminua a velocidade quando estiver a circular no escuro.
- Certifique-se de que o suporte esteja posicionado em uma superfície plana e que o suporte para os pés do patinete esteja estável o suficiente para ficar em pé sozinho antes de deixá-lo.
- Esta trotineta eléctrica é um dispositivo de lazer. No entanto, ao entrar numa área pública, será considerado um meio de transporte e sujeito a possíveis riscos de segurança para todos os meios de transporte. Conduzir em estrita conformidade com as instruções deste manual irá protegê-lo, tanto quanto possível, a si e a outras pessoas.
- O utilizador deve verificar os limites de utilização de acordo com os regulamentos locais. a trotineta em estradas ou áreas permitidas pelos regulamentos e leis locais e estacione-a em áreas permitidas. Se os regulamentos e leis locais tiverem disposições diferentes sobre a velocidade máxima, prevalecerão os regulamentos e leis locais. Respeite e siga as regras de segurança rodoviária e do veículo.
- Respeite o direito dos peões. Tente não os assustar durante a condução, especialmente crianças. Ao conduzir atrás de peões, toque na campainha para que se vire à frente e abrande a trotineta para passar da esquerda e mantenha-a à direita a uma velocidade baixa enquanto conduz através deles (aplicável a países onde os veículos circulam à direita). Quando conduzir entre peões, mantenha a velocidade mais baixa ou saia do veículo.
- Em qualquer caso, antecipe a sua trajectória e a sua velocidade respeitando o código da estrada, o código da calçada e os mais vulneráveis. Notifique a sua presença ao aproximar-se de um peão ou ciclista quando não for visto ou ouvido. Atravesse as passagens protegidas enquanto caminha. Atravesse as passagens protegidas enquanto caminha. Evite zonas de tráfego intenso ou áreas superlotadas.
- Conduzir a alta velocidade ou a uma velocidade que não seja adequada ou apropriada para a situação (mús condições climáticas, más condições de superfície ou semelhantes) pode provocar uma potencial perda de estabilidade ou perda de controlo. Para reduzir qualquer risco, deve seguir todas as instruções deste manual. Tenha cuidado ao montar e desmontar o produto, este pode cair e causar ferimentos.
- O trânsito na cidade tem muitos obstáculos para atravessar, como passeios ou degraus. Recomenda-se evitar saltos de obstáculos. É importante antecipar e adaptar a sua trajectória e velocidade às de um peão antes de atravessar estes obstáculos. Recomenda-se também que saia do veículo quando estes obstáculos se tornarem perigosos devido à sua forma, altura ou patinagem.
- Não emprestem a sua trotineta a quem não conhece as operações. Antes de emprestar a trotineta eléctrica a outras pessoas, certifique-se de que o condutor leu este manual de instruções e viu o video de instruções

e compreendeu o funcionamento básico. Lembre os condutores de que devem usar correctamente a protecção de segurança para garantir a segurança dos condutores.

- Contacte o seu vendedor para obter as organizações de formação adequadas.
- Em todos os casos, tome conta de si e dos outros.
- Qualquer carga presa ao guiador afeta a estabilidade do veículo.
- Não toque no sistema de travagem, pois pode causar ferimentos devido a arestas afiadas. O travão pode ficar quente durante a utilização. Não toque depois da utilização.
- O nível de pressão sonora ponderado A é inferior a 70 dB(A).
- Para uma melhor experiência de condução, recomenda-se a realização de uma manutenção regular do produto.
- Elimine quaisquer arestas afiadas causadas pela utilização.
- Os acessórios e quaisquer itens adicionais não aprovados pelo fabricante não devem ser utilizados.
- A manutenção regular do veículo é um fator de segurança.
- As porcas de auto-aperto, bem como as outras fixações de auto-aperto, podem perder sua eficiência e podem precisar ser reapertadas.
- Verifique regularmente o aperto dos vários elementos aparafusados, em especial os eixos das rodas, o sistema de dobramento, o sistema de direcção e o veio do travão.
- Não modifique nem transforme o veículo, incluindo o tubo da direcção e a manga, a haste, o mecanismo de dobramento e o travão traseiro.
- Não efetue nenhuma modificação que não esteja indicada nas instruções.
- Certifique-se de que a trotineta está desligada quando for transportada e mantida na embalagem original, se possível.
- Para evitar ferimentos acidentais, tais como choques eléctricos e incêndios causados por uma utilização inadequada, leia atentamente as instruções antes da utilização e guarde-as correctamente para referência futura.
- Utilize este produto de acordo com as instruções no Manual do Utilizador. Os utilizadores são responsáveis por quaisquer perdas ou danos resultantes da utilização inadequada deste produto.
- Durante o carregamento, desligue o veículo ou coloque-o em modo não operacional.
- Não carregue se a porta de carregamento ou o cabo de carregamento estiverem molhados. Leia atentamente este manual antes de carregar.
- Não carregue a trotineta a uma temperatura ambiente superior a 40 °C ou inferior a 0 °C
- Mantenha uma distância de segurança quando a trotineta estiver a circular numa estrada plana/sem declive. A distância de travagem aumenta em tempo de chuva.
- A absorção de choques deste produto não é regulável (se aplicável).
- O aparelho não se destina a ser utilizado em altitudes superiores a 2000 metros acima do nível do mar.
- O aparelho deve ser desligado da sua fonte de alimentação durante a manutenção e aquando da substituição de peças.
- O cabo flexível externo ou o cabo desse transformador (carregador) não pode ser substituído; se o cabo estiver danificado, o transformador (carregador) deverá ser descartado.
- Se o cabo flexível externo ou o cabo desse transformador estiver danificado, deverá ser substituído pelo fabricante, por seu agente de serviço ou por uma pessoa com qualificação semelhante para evitar riscos.

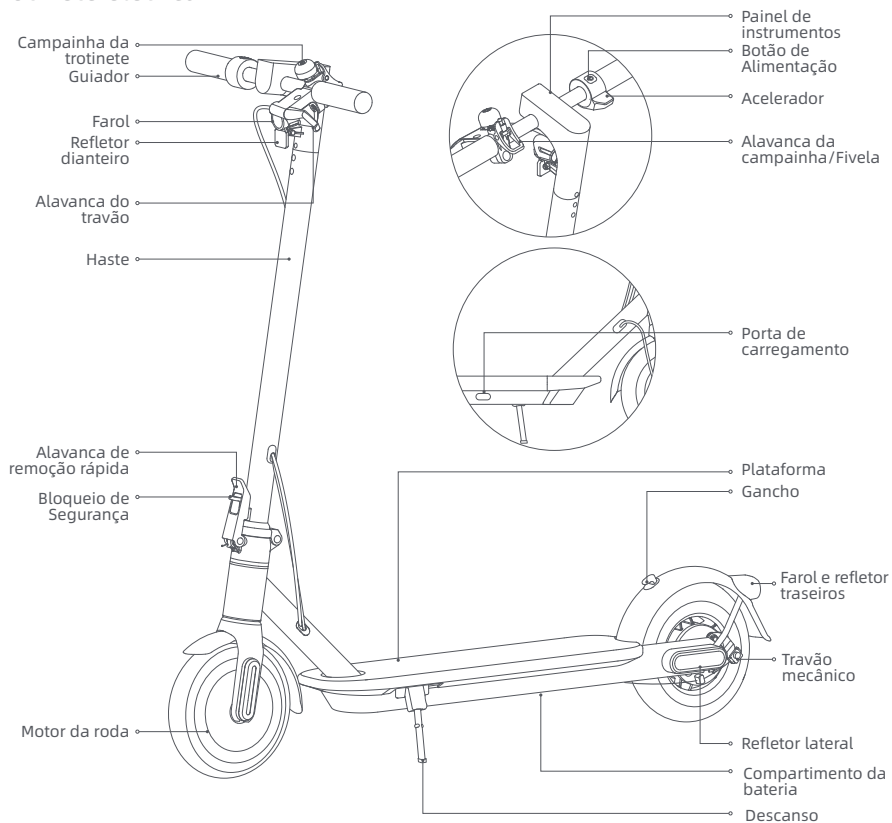
- Se o cabo de energia estiver danificado, ele deverá ser substituído pelo fabricante, por seu agente de serviço ou por uma pessoa igualmente qualificada para evitar riscos.
- Este produto contém baterias que só podem ser substituídas por técnicos qualificados ou pelo serviço pós-venda.
- Este aparelho contém baterias que só podem ser substituídas por pessoas qualificadas.
- **ALERTA: Para recarregar a bateria, utilize apenas a unidade de alimentação removível fornecida com este aparelho. Não utilize um carregador de bateria de qualquer outro produto. Durante o carregamento, mantenha uma distância segura dos materiais combustíveis circundantes.**
- **ALERTA: Não utilize qualquer bateria ou carregador de bateria de terceiros. Utilize apenas com a unidade de alimentação FY0422521500E.**
- **ALERTA! Mantenha a tampa de plástico afastada de crianças para evitar asfixia.**
- **AVISO! Nunca utilize o produto na proximidade de um local com água.**
- **AVISO! Quando o produto estiver danificado, não o utilize.**
- **ALERTA! Tal como acontece com qualquer componente mecânico, um veículo está sujeito a tensões e desgaste elevados. Os vários materiais e componentes podem reagir de forma diferente ao desgaste ou à fadiga. Se a vida útil prevista para um componente tiver sido excedida, pode partir-se repentinamente, podendo, por conseguinte, provocar ferimentos no utilizador. Fendas, riscos e descoloração nas áreas sujeitas a esforços elevados indicam que o componente excedeu a sua vida útil e contacte um reparador autorizado ou especializado.**

Atenção aos perigos de entalamento ou esmagamento das mãos nas seguintes posições durante a utilização:

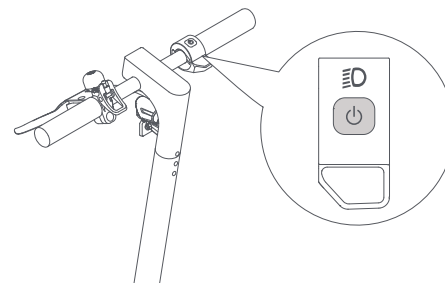
1. Entre o guiador e o eixo ao instalar o guiador.
2. Aberturas nas rodas.
3. Entre o guarda-lamas dianteiro e a Plataforma.
4. Entre a alavanca de desbloqueio rápido e o bloqueio da alavanca de desbloqueio rápido, e entre a articulação dobrável e o eixo ao dobrar ou desdobrar.
5. Entre os guarda-lamas e as rodas.

2. Visão geral do produto

Trotinete elétrica

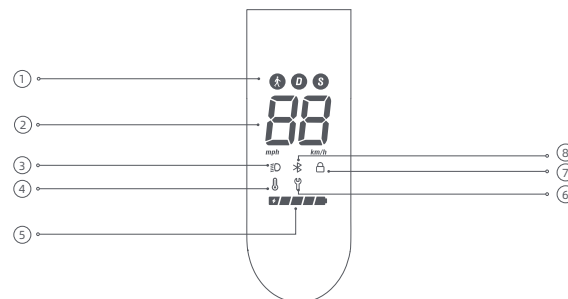


Ligar/desligar



Prima o botão para ligar a trotinete e mantenha o botão premido durante 2 a 3 segundos para desligar a trotinete. Quando a trotinete está ligada, prima uma vez para ligar/desligar o farol e a luz traseira e prima duas vezes para alterar os modos de condução.

Painel de instrumentos



- Modos de condução: é destinado para o modo de caminhada e a sua velocidade máxima é de 6 km/h. D é destinado para o modo padrão. S é destinado para o modo desportivo.
- Velocímetro: Mostra a velocidade actual quando a trotinete está a funcionar. Quando a trotinete tem um problema, apresenta um código de erro. Quando a trotinete está a carregar, apresenta o nível actual da bateria.

- ③ Luz: aceso significa que o farol e a luz traseira estão acesos, e apagado indica que o farol e a luz traseira estão apagados. Ligue a trotinete e prima o botão de energia para acender ou apagar o farol e a luz traseira.
- ④ Aviso de temperatura: Se a temperatura da bateria for demasiado elevada ou demasiado baixa, o ícone do termómetro estará ligado. Utilize ou carregue a trotinete depois de a temperatura da bateria regressar ao intervalo de funcionamento normal.
- ⑤ Nível da bateria: A carga da bateria é indicada por 5 barras, cada uma representando aproximadamente 20% de uma bateria cheia.
- ⑥ Notificação de erro: Quando o ícone da chave inglesa é apresentado a vermelho, indica que a trotinete apresenta um erro.
- ⑦ Bloquear: Quando o ícone acende, indica que a trotinete está bloqueada. Pode bloquear/desbloquear a trotinete através da aplicação NAVEE.
- ⑧ Bluetooth: The Bluetooth icon is always on, indicating that the scooter has been successfully connected to the mobile device.

3. Cuidados e Manutenção

Limpeza

Antes de limpar a scooter, deve desligar a corrente, desligar a ficha dos cabos de carregamento e fechar bem a tampa de carregamento.

Limpe o chassi principal com um pano macio e húmido; a sujidade difícil de remover pode ser esfregada com uma escova de dentes. Depois, limpe todas as áreas com um pano seco.

ALERTA!

- Não lave a trotinete com um jacto de água a alta pressão.
- Não limpe a trotinete com um produto de limpeza corrosivo, o que danificará a estrutura externa e interna da trotinete.

Bateria

Carregue sempre antes de esgotar a bateria para prolongar a vida útil da mesma.

Ao conduzir, armazenar ou carregar, não exceda o limite de temperatura especificado (consulte as especificações). O não cumprimento das instruções de utilização, armazenamento ou carregamento pode resultar em danos na bateria, falha na carga e anulação da garantia.

A trotinete totalmente carregada tem um tempo de espera aproximado de 120-180 dias. Se não for utilizado durante um longo período de tempo, deve ser cobrado a cada 60 dias. Preste atenção ao tempo de espera para evitar danos irreversíveis na bateria causados pelo não carregamento.

ALERTA!

- Não use baterias de outros modelos ou marcas, pois pode haver risco de segurança.
- Utilize apenas o carregador da bateria original para evitar potenciais danos ou incêndio.
- Se a bateria estiver danificada ou embebida em água, não carregue nem continue a utilizá-la.
- Não retire a bateria. A remoção da bateria é complicada e o funcionamento incorrecto pode afectar o funcionamento da trotinete.

Armazenamento

Se a trotinete não for utilizada durante um longo período de tempo, carregue-a totalmente, depois desligue-a e guarde-a num local fresco e seco. Certifique-se de que a trotinete está desligada quando for transportada e mantida na embalagem original, se possível.

ALERTA!

- Não deixe a trotinete sob sol quente ou num local extremamente húmido durante longos períodos de tempo.
- Por favor não colocar a scooter perto de materiais inflamáveis.
- Este produto contém uma bateria de lítio incorporada e só deve ser transportado quando permitido pelas leis e regulamentos locais.

Instruções Ambientais

A trotineta contém uma bateria de iões de lítio recarregável e a eliminação inadequada destas baterias pode causar danos no ambiente. Siga os passos abaixo para retirar as baterias antes de eliminar a trotineta e elimine as baterias correctamente:

1. Antes de remover a bateria, desligue-a e drene-a em toda a sua extensão. Em seguida, rasgar o pedal e desapertar os parafusos de fixação entre o pedal e a armação para abrir o pedal.
2. Desligue o conector da bateria e depois retire as baterias. Não danifique a caixa da bateria para evitar qualquer risco de ferimentos. Não use a bateria se ela estiver danificada, apresentar um odor estranho, emitir fumaça ou ficar superaquecida. Mantenha uma bateria com vazamento longe de outros objetos.
3. Elimine as baterias removidas num centro de reciclagem profissional.

Programa de Manutenção da Trotineta (Recomendado):

Realizar manutenção regularmente na trotineta pode ajudar a manter a trotineta limpa e em bom estado, evitar riscos de segurança, minimizar avarias, retardar a deterioração da trotineta, e prolongar a vida útil.

Item	Objecto de Verificação	Acções Específicas	Mensalmente	De 3 em 3 meses	A cada 500 km/6 meses	A cada 1000 km/1 ano	A cada 10000 km/3 anos
Pneus	Desgaste da banda de rodagem dos pneus	Verificar se o pneu está rachado, deformado, desgastado, etc.			✓	✓	✓
Parafusos	Parafusos de montagem do guiador	Aperte o parafuso que liga o conjunto do guiador ao conjunto do avanço (com o torque recomendado de $3,0 \pm 0,5$ N·m).		✓	✓	✓	✓
		Aperte o parafuso do acelerador (com o torque recomendado de $1,6 \pm 0,1$ N·m).					
		Aperte o parafuso da alavanca do travão (com o torque recomendado de $5,5 \pm 0,5$ N·m).				✓	✓

Item	Objecto de Verificação	Acções Específicas	Mensalmente	De 3 em 3 meses	A cada 500 km/6 meses	A cada 1000 km/1 ano	A cada 10000 km/3 anos
Funções	Ajuste do travão	Ajustar o travão mecânico Ferramenta: Ferramentas: chave hexagonal de 5 mm (a ferramenta precisa ser preparada pelo utilizador). Sempre que o travão estiver demasiado apertado, utilize a ferramenta para rodar a porca da haste rosçada no sentido contrário ao dos ponteiros do relógio, de modo a reduzir ligeiramente a parte inferior exposta do cabo do travão. Sempre que o travão estiver demasiado solto, utilize a ferramenta para rodar a porca da haste rosçada no sentido dos ponteiros do relógio, de modo a aumentar ligeiramente a parte inferior exposta do cabo do travão.			✓	✓	✓
	Carregamento	Carregar a trotineta a uma temperatura adequada. O indicador no carregador de bateria ficará vermelho quando a trotineta está a carregar, e ficará verde quando a trotineta estiver totalmente carregada. O painel de controlo mostrará o estado de carga simultaneamente durante o carregamento.			✓	✓	✓
	Guiador	Gire o guiador 60° para a esquerda e para a direita para garantir que o ângulo de viragem está correcto e que a direcção está livre de resistência e estagnação.				✓	✓
Componentes importantes	Conjunto de baterias	Carregar completamente a trotineta antes de a deixar sem ser utilizada durante muito tempo, e lembre-se de ligá-la para carregar de 60 em 60 dias.					✓

As rodas, pastilhas de freio e outras partes vulneráveis estão desgastadas ou danificadas e precisam ser substituídas, por favor, entre em contacto com o serviço pós-venda a tempo. Para encontrar uma loja de serviços qualificada, entre em contacto conosco pelo service@navetech.com ou www.navetech.com

4. Especificações

Product	Name	NAVEE Electric Scooter			
	Model	EasyRide 20-E	EasyRide 20-D	EasyRide 20-S	
Dimensions	Vehicle: L x W x H (mm) [1]	1086 x 463 x 1099			
	After Folding: L x W x H (mm)	1086 x 461 x 473			
Net Weight	Vehicle Net Weight (kg)	14,0			
Rider	Load Range (kg)	25-90			
	Age (years)	16-50			
	Body Length (cm)	120-200			
Assembled Electric Scooter	Max. Speed (km/h)	25	20	20	
	General Range (km) [2]	Aprox. 20			
	Max. Climbing Angle (%)	Aprox. 14			
	Suitable Surfaces	Caminhos de cimento ou asfalto, com degraus com menos de 1 cm e fissuras com menos de 3 cm.			
	Operating Temperature (°C)	-10 to 40			
	Storage Temperature (°C)	-20 to 45			
	IP Rating	IPX5			
	Charging Time (h)	Aprox. 6			
	Battery Pack	Model	T2417-B63A		
		Nominal Voltage (VDC)	21,6		
Max. Charge Voltage (VDC)		25,2			
Rated Energy (Wh)		165,24			
Intelligent Battery Management System		Proteção contra superaquecimento, curto-circuito, sobretensão, descarga excessiva e sobrecarga			
Normal Charging Temperature Range (°C)		0 to 40			
Wheel Motor	Rated Capacity (Ah)	7,65			
	Rated Power (kW; W)	0,3; 300	0,3; 300	0,25; 250	
Battery Charger	Model [3]	FY0422521500E			
	Output Power (kW; W)	0,0378; 37,8			
	Input	100-240 V~ 50/60 Hz			
	Rated Output (VDC; A)	25,2; 1,5			
Tire	Front & Back Tires	Pneus ocós internos sem manutenção			
	Frequency Band (s)	2.4000-2.4835 GHz			
Bluetooth	Max. RF Power (dBm)	8			

[1] Vehicle height: From the ground to the top of the scooter.

[2] General range: Measured when there is no wind and at 25°C, the scooter is fully charged to ride at a constant speed of 15 km/h on a flat surface with a load of 75 kg.

[3] To recharge the battery, only use the battery charger provided in the package. Please see battery charger parameters in Specifications.

5. Certificações

Diretiva relativa à restrição de substâncias perigosas (RoHS)

Este produto da SPACEWALKER PTE. LTD. com as partes incluídas (cabos, cordas e entre outros) cumprem a restrição da utilização de determinadas substâncias perigosas em equipamentos elétricos e eletrónicos no Anexo II 2011/65/EU e na respetiva revisão da Diretiva (EU) 2015/863.

Declaração de conformidade da UE



Este dispositivo cumpre os requisitos da UE relativos à limitação da exposição do público geral aos campos eletromagnéticos através da proteção da saúde pública. Pelo presente, a SPACEWALKER PTE. LTD. declara que o equipamento de rádio do tipo [EasyRide 20-E], [EasyRide 20-D] e [EasyRide 20-S] está em conformidade com a Diretiva 2014/53/UE e 2006/42/EC.O texto completo da declaração de conformidade da UE está disponível em: www.naveetech.com

Declaração de conformidade com a União Europeia

Informações de reciclagem da bateria para a União Europeia



A bateria ou a embalagem da bateria estão identificadas de acordo com a Diretiva europeia 2006/66/CE e com a alteração 2013/56/UE relativamente a baterias e acumuladores e respetivos resíduos. A Diretiva determina o enquadramento para a devolução e reciclagem de baterias e acumuladores usados, tal como aplicável em toda a União Europeia. Esta identificação aplica-se a várias baterias para indicar que uma bateria não deve ser descartada, mas sim recuperada após o fim de vida útil, de acordo com a presente Diretiva.

De acordo com a Diretiva europeia 2006/66/CE e com a alteração 2013/56/UE, as baterias e acumuladores são identificados para indicar se foram recolhidos separadamente, ou se foram reciclados no fim de vida útil. A identificação na bateria pode incluir um símbolo químico para o metal envolvido na bateria (Pb para chumbo, Hg para mercúrio e Cd para cádmio). Os utilizadores de baterias e acumuladores não devem descartar estes produtos como resíduos urbanos indiferenciados. Devem, sim, utilizar o enquadramento de recolha para a devolução, reciclagem e tratamento de baterias e acumuladores. A participação dos clientes é importante para minimizar quaisquer potenciais efeitos das baterias e acumuladores sobre o ambiente e saúde pública, devido à potencial presença de substâncias perigosas.

Antes de colocar equipamentos elétricos e eletrónicos (EEE) no fluxo de recolha de resíduos ou em instalações de recolha de resíduos, o utilizador final de equipamentos que contenham baterias e/ou acumuladores devem remover estes produtos para uma recolha separada.

Diretiva relativa aos resíduos de equipamentos elétricos e eletrónicos (REEE)



Todos os produtos que apresentem este símbolo são considerados resíduos de equipamentos elétricos e eletrónicos (REEE, conforme a Diretiva 2012/19/UE), não devendo ser misturados com resíduos domésticos indiscriminados. Em vez disso, o utilizador deve proteger a saúde humana e o meio ambiente e entregar o respetivo equipamento num ponto de recolha designado para reciclagem de resíduos de equipamentos elétricos e eletrónicos, indicado pelo governo ou pelas autoridades locais. A correta eliminação e a

reciclagem ajudarão a prevenir eventuais consequências negativas para o meio ambiente e a saúde humana. Para obter mais informações sobre os locais e os termos e condições de tais pontos de recolha, entre em contacto com a entidade responsável pela instalação ou com as autoridades locais.

Aviso de segurança



Perigo!
Leia o manual do usuário antes de usar.



ALERTA!
Leia com atenção e guarde-o para referência futura.



ADVERTÊNCIA
Superfície quente



Não expor à humidade



Luz



SMPS com transformador de segurança com isolamento à prova de curto-circuito (intrínseco ou não intrínseco)



SMPS (Unidade de alimentação elétrica em modo de comutação)



Fusível miniatura de desfasamento temporal em que X é o símbolo da característica tempo/corrente, tal como indicado na norma IEC 60127



ALERTA!
Somente para uso interno (para o carregador).



ALERTA!
Aparelho de classe II



ADVERTÊNCIA
Bordaduras afiadas



O carregador deve ser usado em altitudes não superiores a 5000 m.



Luz de direção



Corrente contínua



Corrente alterna



Polaridade da saída do carregador, centro positivo

Carregador de bateria

AVISO

- O carregador foi concebido apenas para utilização no interior. Não o exponha à chuva ou à neve.
- Não utilizar pilhas não recarregáveis, pois podem sobreaquecer e reventar.
- A utilização incorreta de outros tipos de pilhas pode provocar o reaquecimento das mesmas, causando ferimentos e danos pessoais.
- Não deve incinerar, desmontar ou provocar curto-circuito nas baterias.
- Se o desempenho das baterias diminuir substancialmente, é altura de as substituir.
- Guarde o carregador num local fresco e seco quando não estiver a ser utilizado.
- Desligue a alimentação antes de efetuar ou interromper as ligações à bateria.
- Gases explosivos. Evite as chamas e as faíscas. Providencie uma ventilação adequada durante o carregamento.
- Durante o carregamento, a bateria deve ser colocada numa área bem ventilada.
- Mantenha os aparelhos elétricos fora do alcance de crianças ou pessoas doentes. Não os deixe utilizar os aparelhos sem supervisão.
- Este aparelho não se destina a ser utilizado por pessoas (inclusive crianças) com capacidades físicas, sensoriais ou mentais reduzidas, ou com falta de experiência e conhecimento, a não ser que estejam a ser supervisionadas ou lhes tenham sido dadas instruções sobre o uso do aparelho por uma pessoa responsável pela sua segurança.
- Este aparelho pode ser usado por crianças com mais de 8 anos e pessoas com capacidades físicas, sensoriais ou mentais reduzidas ou com falta de experiência ou conhecimento, caso sejam supervisionadas ou se receberem instruções relativas à utilização do aparelho de forma segura e compreenderem os riscos envolvidos. As crianças não devem brincar com o aparelho. A limpeza e a manutenção não devem ser feitas por crianças sem supervisão.
- O cabo flexível externo ou o cabo deste transformador não podem ser substituídos; se o cabo estiver danificado, o transformador deve ser inutilizado.
- Se o cabo de alimentação estiver danificado, deve ser substituído por um cabo especial ou por um conjunto disponível no fabricante ou no seu agente de serviço.

Instruções de carregamento

- Ligue o carregador diretamente a uma fonte de alimentação. Nunca utilize extensões.
- O carregador só pode carregar baterias de íões de lítio.
- Evite o carregamento inverso.
- Os carregadores não se destinam a carregar baterias de automóveis.

 parte de fonte de alimentação destacável

Conjunto de baterias

AVISO

1. Não deve desmontar, abrir ou fragmentar as pilhas secundárias ou as baterias.
2. Mantenha as baterias fora do alcance das crianças. A utilização das baterias por crianças deve ser supervisionada. Especialmente, mantenha as baterias pequenas fora do alcance de crianças pequenas.
3. Consulte imediatamente um médico em caso de ingestão de uma pilha ou de uma bateria.
4. Não exponha as pilhas ou baterias ao calor ou ao fogo. Evite o armazenamento sob luz solar direta.
5. Não provoque curto-circuito numa pilha ou numa bateria. Não guarde as pilhas ou baterias ao acaso numa caixa ou gaveta onde possam entrar em curto-circuito entre si ou onde um curto-circuito possa ser provocado por outros objetos metálicos.
6. Não retire uma pilha ou bateria da sua embalagem original até ser necessária para utilização.
7. Não submeter as pilhas ou baterias a choques mecânicos.
8. Em caso de derrame de uma célula, não deixe que o líquido entre em contacto com a pele ou com os olhos. Em caso de contacto, lave a zona afetada com água abundante e consulte um médico.
9. Não utilize qualquer outro carregador para além do especificamente fornecido para utilização com o equipamento.
10. Observe as marcas de mais (+) e menos (-) na pilha, na bateria e no equipamento e assegure uma utilização correta.
11. Não utilize qualquer pilha ou bateria que não tenha sido concebida para ser utilizada com o equipamento.
12. Não misture células de fabrico, capacidade, tamanho ou tipo diferentes num mesmo dispositivo.
13. Compre sempre a bateria recomendada pelo fabricante do dispositivo para o equipamento.
14. Mantenha as pilhas e baterias limpas e secas.
15. Limpe os terminais da pilha ou da bateria com um pano limpo e seco se ficarem sujos.
16. As pilhas e baterias secundárias têm de ser carregadas antes de serem utilizadas. Utilize sempre o carregador correto e consulte as instruções do fabricante ou o manual do equipamento para obter instruções de carregamento adequadas.
17. Não deixe uma bateria em carga prolongada quando não estiver a ser utilizada.
18. Após longos períodos de armazenamento, pode ser necessário carregar e descarregar as pilhas ou baterias várias vezes para obter o máximo desempenho.
19. Guarde a literatura original do produto para referência futura.
20. Utilize a pilha ou bateria apenas na aplicação para a qual foi concebida.
21. Sempre que possível, retire a bateria do equipamento quando não estiver a ser utilizada.
22. Elimine de forma adequada.

1. Instrukcje bezpieczeństwa

Tłumaczenie pierwotnego zawiadomienia

WAŻNE! Przed rozpoczęciem użytkowania produktu należy dokładnie zapoznać się z treścią instrukcji i zachować ją do wykorzystania w przyszłości. Szczegółową instrukcję elektroniczną można znaleźć na stronie www.naveetech.com.

- **U**rządzenie to nie jest przeznaczone do użytku przez osoby (w tym dzieci) o ograniczonych zdolnościach fizycznych, sensorycznych lub umysłowych, a także nieposiadające doświadczenia i wiedzy, chyba że otrzymały one nadzór lub instrukcje od osoby odpowiedzialnej za ich bezpieczeństwo. **D**zieci powinny znajdować się pod nadzorem, aby zapewnić, że nie będą bawić się one urządzeniem.
- **U**rządzenie to przeznaczone jest dla osób starszych niż 8 lat oraz osób o ograniczonych zdolnościach fizycznych, sensorycznych lub umysłowych, jak również osób nieposiadających doświadczenia i wiedzy, jeżeli otrzymały one nadzór lub instrukcje dotyczące bezpiecznego korzystania z urządzenia i rozumieją związane z tym zagrożenia. **D**zieci nie powinny bawić się tym urządzeniem. **D**zieci nie powinny czyścić oraz przeprowadzać konserwacji urządzenia bez nadzoru.
- **U**rządzenie może być używane wyłącznie z zasilaczem dostarczonym wraz z urządzeniem.
- **P**řed rozpoczęciem jazdy należy zawsze założyć kask, ochraniacze na dłonie/nadgarstki, nakolanniki, ochraniacze na łokcie i inny sprzęt ochronny.
- **H**ulajnoga może być używana tylko przez jedną osobę. **N**ależy zawsze nosić obuwie. **N**ie należy zmieniać sposobu użytkowania pojazdu.
- **T**en produkt jest przeznaczony wyłącznie do jazdy indywidualnej i nie jest przeznaczony do użytku w akrobacji.
- **P**rodukt ten przeznaczony jest dla osób powyżej 16 roku życia i poniżej 50 roku życia. **Q**osoby, które nie powinny jeździć na tym produkcie, to: (1) osoby będące pod wpływem alkoholu lub narkotyków, (2) osoby niezdolne do wykonywania intensywnych ćwiczeń fizycznych ze względu na stan zdrowia lub kondycję fizyczną, (3) osoby niezdolne do utrzymania równowagi ze względu na upośledzoną sprawność ruchową, (4) osoby, których masa przekracza limit wagi, (5) kobiety w ciąży, (6) osoby z upośledzeniem wzroku i/lub słuchu.
- **P**odczas jazdy na tym urządzeniu należy przestrzegać lokalnych przepisów i regulacji prawnych. **Z**abrania się jeździć w miejscach, gdzie jest to zabronione przez lokalne przepisy.
- **P**odczas jazdy w krajach i regionach, w których nie ma odpowiednich krajowych norm i przepisów dotyczących hulajnóg elektrycznych, należy ściśle przestrzegać wymogów bezpieczeństwa dla kierowców, zawartych w niniejszej instrukcji obsługi. Firma SPACEWALKER PTE. LTD. nie ponosi żadnej bezpośredniej i łącznej odpowiedzialności za wszelkie straty materialne, osobowe, wypadki, spory prawne oraz wszelkie inne niekorzystne zdarzenia powodujące konflikty interesów spowodowane użyciem niezgodnym z instrukcją obsługi.
- **Z**abrania się jeździć po pasach ruchu oraz w strefach mieszkaniowych, gdzie dozwolone są zarówno pojazdy, jak i piesi. Przejeżdżając przez miejsce przeznaczone dla pieszych, którym przysługuje prawo przejścia, np. przez chodnik, należy wysiąść oraz przeprowadzić hulajnogę.
- **P**odczas pierwszej jazdy nie należy wybierać miejsc, w których mogą pojawić się dzieci, piesi, zwierzęta domowe, pojazdy, rowery lub inne przeszkody i potencjalne zagrożenia. Wymagane przygotowania do korzystania z tego

- produktu obejmują: upewnienie się, że układ kierowniczy jest odpowiednio wyregulowany oraz to, że wszystkie podłączone akcesoria (takie jak system składania) są odpowiednio dokręcone i nieuszkodzone oraz że hamulce i koła są w dobrym stanie.
- Przed każdym użyciem hulajnogi elektrycznej należy przeprowadzić jej podstawową kontrolę. W przypadku wystąpienia nietypowych warunków, takich jak poluzowane części, niski poziom baterii, przebiecie opony lub nadmierne zużycie opon, dziwne dźwięki, nieprawidłowe działanie i inne nietypowe zjawiska, należy natychmiast przerwać jazdę i wezwać fachową pomoc.
- Wymagane przygotowania do korzystania z tego produktu obejmują: upewnienie się, że układ kierowniczy jest odpowiednio wyregulowany oraz to, że wszystkie podłączone akcesoria (takie jak system składania) są odpowiednio dokręcone i nieuszkodzone oraz że hamulce i koła są w dobrym stanie.
- Aby móc bezpiecznie jeździć, trzeba dobrze widzieć to, co jest przed nami, i być dobrze widocznym dla innych.
- Nie należy jeździć przy złej pogodzie, słabej widoczności lub po intensywnym wysiłku fizycznym.
- Podczas jazdy po zmroku należy włączyć światła awaryjne i zmniejszyć prędkość.
- Przed opuszczeniem pojazdu należy upewnić się, że podpórka jest ustawiona na płaskiej powierzchni, a hulajnoga jest na tyle stabilna, że może stać samodzielnie.
- Ta hulajnoga elektryczna jest urządzeniem rekreacyjnym. Jednak w przypadku wjazdu na teren publiczny będzie ona traktowana jako środek transportu, narażony na zagrożenia bezpieczeństwa, tak jak w przypadku wszystkich innych środków transportu. Jeżdżenie w ścisłej zgodności z poniższymi instrukcjami pozwala w jak największym stopniu chronić Ciebie i innych.
- Użytkownik powinien sprawdzić ograniczenia stosowania zgodnie z lokalnymi przepisami. Jeździć po drogach lub obszarach dozwolonych przez lokalne przepisy i prawa oraz parkować w miejscach dozwolonych. Jeżeli lokalne przepisy i regulacje prawne dotyczące maksymalnej prędkości zawierają odmiennie postanowienia, pierwszeństwo mają lokalne przepisy i regulacje prawne. Proszę szanować i przestrzegać zasad bezpieczeństwa ruchu drogowego i zasad dotyczących pojazdów.
- Przestrzegać pierwszeństwa pieszych. Podczas jazdy należy starać się unikać przestraszenia innych osób, zwłaszcza dzieci. Jeśli jedziesz z tyłu za pieszymi, zadzwoń dzwonkiem, aby ich uprzedzić oraz zwolnij skuter, aby przejechać z ich lewej strony, a podczas przejeżdżania z niewielką prędkością obok nich trzymaj się prawej strony (dotyczy krajów, w których pojazdy poruszają się po prawej stronie). Podczas przejeżdżania obok pieszych należy utrzymywać jak najmniejszą prędkość lub zejść z pojazdu.
- Bez względu na okoliczności należy zawsze przewidywać tor jazdy oraz prędkość, przestrzegając przepisów ruchu drogowego, przepisów dotyczących chodników i zwracać szczególną uwagę na osoby najbardziej narażone na wypadki. Przy zbliżaniu się do pieszego lub rowerzysty należy zasygnalizować swoją obecność, jeśli nie jest się widocznym lub słyszalnym. Podczas przechodzenia należy przechodzić przez chronione przejścia. Podczas przechodzenia należy przechodzić przez chronione przejścia. Należy unikać miejsc o dużym natężeniu ruchu oraz miejsc zatoczonych.
- Jazda z dużą prędkością lub z prędkością, która nie jest odpowiednia lub adekwatna do sytuacji (złe warunki pogodowe, zła nawierzchnia itp.) może prowadzić do potencjalnej utraty stabilności lub panowania nad pojazdem. Aby zmniejszyć ryzyko, należy przestrzegać wszystkich instrukcji zawartych w niniejszym dokumencie. Podczas montażu i demontażu produktu należy zachować ostrożność, ponieważ może on spaść i spowodować obrażenia ciała.
- Ruch drogowy w mieście wiąże się z wieloma przeszkodami, takimi jak krawężniki czy schody. Zaleca się unikać skoków przez przeszkody. Ważne jest, aby przed pokonaniem tych przeszkód przewidzieć i dostosować swój tor jazdy i prędkość do toru ruchu pieszych. Zaleca się również zejście z pojazdu, gdy przeszkody te staną się niebezpieczne ze względu na ich kształt, wysokość lub poślizg. Nie należy pożyczać hulajnogi osobom, które nie

znają zasad jej obsługi. Przed wypożyczeniem hulajnogi elektrycznej innym osobom należy upewnić się, że dany użytkownik zapoznał się z niniejszą instrukcją obsługi, obejrzał film instruktażowy oraz zrozumiał podstawowe zasady działania. Należy przypomnieć tym osobom o konieczności prawidłowego noszenia środków ochrony indywidualnej tak, aby zapewnić ich bezpieczeństwo.

- Proszę skontaktować się ze sprzedawcą w celu uzyskania informacji o odpowiednich organizacjach szkoleniowych.
- Niezależnie od okoliczności należy zawsze dbać o siebie i innych.
- Wszelkie obciążenia przymocowane do kierownicy wpływają na stabilność pojazdu.
- Nie należy dotykać układu hamulcowego, ponieważ ostre krawędzie mogą spowodować urazy ciała. Podczas użytkowania hamulce może się nagrzewać. Nie dotykać po użyciu.
- Emisyjny poziom ciśnienia akustycznego skorygowany charakterystyką A jest mniejszy niż 70 dB(A).
- W celu zapewnienia lepszych wrażeń z jazdy zaleca się przeprowadzanie regularnej konserwacji produktu.
- Należy usuwać wszelkie ostre krawędzie powstałe w wyniku użytkowania.
- Nie należy stosować akcesoriów i części dodatkowych niezatwierdzonych przez producenta.
- Regularna konserwacja pojazdu jest ważnym czynnikiem bezpieczeństwa.
- Nakrętki oraz inne elementy samokontrujące mogą stracić swoją skuteczność i mogą wymagać ponownego dokręcenia.
- Regularnie sprawdzać dokręcenie różnych elementów śrubowych, w szczególności osi kół, układu składania, układu kierowniczego i wału hamulcowego.
- Nie należy modyfikować ani przerabiać pojazdu, w tym rury i tulei kierownicy, wspornika kierownicy, mechanizmu składania i hamulca tylnego.
- Nie należy wprowadzać żadnych modyfikacji, które nie zostały opisane w instrukcji.
- Należy upewnić się, że podczas transportu hulajnoga jest wyłączona i w miarę możliwości przechowywana w oryginalnym opakowaniu.
- Aby uniknąć przypadkowych obrażeń, takich jak porażenie prądem elektrycznym lub pożar, spowodowanych niewłaściwym użytkowaniem, przed rozpoczęciem użytkowania należy uważnie przeczytać instrukcję i zachować ją do wykorzystania w przyszłości.
- Produkt ten należy używać zgodnie z niniejszą instrukcją. Użytkownicy ponoszą odpowiedzialność za wszelkie straty lub szkody wynikające z niewłaściwego użytkowania tego produktu.
- Podczas ładowania wyłącz pojazd lub ustaw go w odpowiednim trybie innym niż roboczy.
- Nie ładować baterii, jeśli port ładowania lub kabel do ładowania jest mokry. Przed rozpoczęciem ładowania należy dokładnie przeczytać niniejszą instrukcję.
- Nie należy ładować hulajnogi w temperaturze otoczenia powyżej 40° C lub poniżej 0° C.
- Zachowaj bezpieczną odległość, gdy hulajnoga porusza się po równej drodze bez nachylenia. Droga hamowania ulega wydłużeniu na mokrej nawierzchni.
- Ten produkt nie jest wyposażony w regulowany układ amortyzacji (jeśli dotyczy).
- Urządzenie nie jest przeznaczone do użytku na wysokości większej niż 2000 m nad poziomem morza.
- Podczas serwisowania i wymiany części urządzenie powinno być odłączone od źródła zasilania.
- Zewnętrzny elastyczny kabel lub przewód transformatora (ładowarki) nie może być wymieniony; jeśli przewód

- zostanie uszkodzony, transformator (ładowarkę) należy zutylizować.
- Jeśli zewnętrzny elastyczny kabel lub przewód transformatora jest uszkodzony, powinien on zostać wymieniony przez producenta, jego przedstawiciela serwisowego lub podobnie wykwalifikowaną osobę w celu uniknięcia zagrożenia.
- Jeśli przewód zasilający jest uszkodzony, musi on zostać wymieniony przez producenta, jego przedstawiciela serwisowego lub podobnie wykwalifikowane osoby w celu uniknięcia zagrożenia.
- Produkt ten zawiera baterie, które mogą być wymienione tylko przez wykwalifikowanych techników lub serwis posprzedażowy.
- Urządzenie to zawiera baterie, które mogą być wymieniane wyłącznie przez wykwalifikowane osoby.

OSTRZEŻENIE: Do ładowania baterii należy używać wyłącznie odłączalnego zasilacza dostarczonego wraz z urządzeniem. Nie należy używać ładowarki pochodzącej z innego produktu. Podczas ładowania należy zachować bezpieczną odległość od otaczających materiałów palnych.

- **OSTRZEŻENIE: Nie należy używać baterii ani ładowarek innych firm. Stosować tylko z zasilaczem FY0422521500E.**
- **OSTRZEŻENIE! Proszę trzymać plastikową osłonę z dala od dzieci, aby uniknąć przypadków uduszenia.**
- **OSTRZEŻENIE! Nigdy nie używać tego produktu w pobliżu źródła wody.**
- **OSTRZEŻENIE! W przypadku uszkodzenia produktu należy zaprzestać jego używania.**
- **OSTRZEŻENIE! Jak każdy element mechaniczny, pojazd ten narażony jest na duże naprężenia i zużycie. Poszczególne materiały i elementy mogą różnie reagować na zużycie lub zmęczenie materiału. Jeśli przekroczony zostanie oczekiwany okres eksploatacji danego elementu, może on ulec nagłemu uszkodzeniu, co grozi obrażeniami ciała użytkownika. Pęknięcia, zarysowania i odbarwienia w miejscach narażonych na duże naprężenia wskazują na przekroczenie okresu**

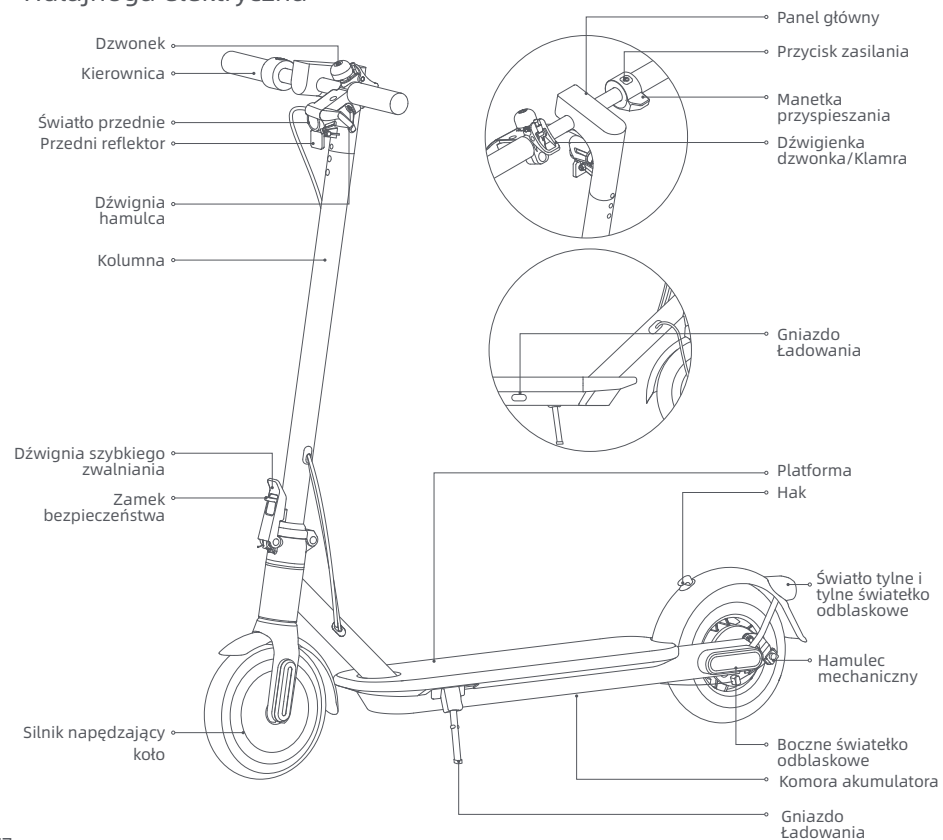
eksploatacji elementu i takim wypadku należy skontaktować się z autoryzowanym lub wyspecjalizowanym warsztatem naprawczym.

Podczas użytkowania uważaj na ryzyko zmiążdżenia dłoni i następujące miejsca, w których mogą zostać pochwycone:

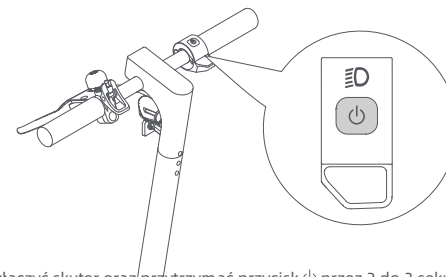
1. Pomiędzy kierownicą a mostkiem podczas montażu kierownicy
2. Otwory na kołach
3. Pomiędzy przednim błotnikiem a podestem
4. Pomiędzy dźwignią szybkiego zwalniania a jej blokadą oraz pomiędzy składanym złączem a mostkiem podczas składania lub rozkładania
5. Pomiędzy błotnikami a kołami



Zawartość opakowania

Hulajnoga elektryczna

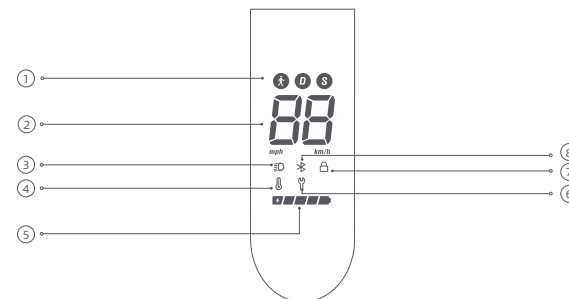



Włączanie/wyłączanie zasilania



Nacisnąć przycisk , aby włączyć skuter oraz przytrzymać przycisk  przez 2 do 3 sekund, aby wyłączyć skuter. Gdy hulajnoga jest włączona, nacisnąć raz, aby włączyć/wyłączyć światło przednie i tylne, a następnie nacisnąć dwa razy, aby zmienić tryb jazdy.

Panel główny



① Tryby jazdy:  oznacza tryb spacerowy, a jego maksymalna prędkość wynosi 6 km/h. D oznacza tryb standardowy. S oznacza tryb sportowy.

② Prędkościomierz: Wyświetla aktualną prędkość podczas jazdy. Gdy hulajnoga posiada usterkę, wyświetla na kod błędu. Podczas ładowania hulajnogi wyświetlany jest aktualny poziom naładowania baterii.

- ③ Światło: zaświecenie oznacza, że światło przednie i tylne jest włączone, a zgaśnięcie – że jest wyłączone. Włącz hulajnogę i naciśnij przycisk zasilania, aby włączyć lub wyłączyć światło przednie i tylne.
- ④ Ostrzeżenie o temperaturze: Jeśli temperatura baterii jest zbyt wysoka lub zbyt niska, zaświeci się ikonka termometru. Po przywróceniu temperatury baterii do normalnego zakresu można kontynuować użytkowanie lub ładowanie hulajnogę.
- ⑤ Poziom baterii: Stan naładowania baterii wskazywany jest przez 5 pasków, z których każdy reprezentuje około 20% pełnego naładowania.
- ⑥ Powiadomianie o błędach: Gdy ikona klucza wyświetlana jest na czerwono, oznacza to, że w hulajnodze wystąpił błąd.
- ⑦ Blokada: Świecąca ikona wskazuje, że hulajnoga jest zablokowana. Hulajnogę można zablokować/odblokować za pomocą aplikacji NAVEE.
- ⑧ Bluetooth: Ikonka Bluetooth jest zawsze włączona, wskazując, że hulajnoga została pomyślnie połączona z urządzeniem mobilnym.

3. Pielęgnacja i konserwacja

Czyszczenie

Przed czyszczeniem hulajnogę proszę wyłączyć zasilanie, odłączyć kable ładowania i szczelnie zamknąć pokrywę ładowania.

Przetrzeć główną obudowę miękką, wilgotną szmatką, a trudne do usunięcia zabrudzenia można wyszorować szczoteczką do zębów. Następnie wytrzeć całość suchą szmatką.

OSTRZEŻENIE!

- Nie należy myć hulajnogę strumieniem wody pod wysokim ciśnieniem.
- Nie należy czyścić hulajnogę żrącym środkiem czyszczącym, gdyż mógłby on uszkodzić zewnętrzną i wewnętrzną strukturę hulajnogę.

Bateria

Aby przedłużyć żywotność baterii, należy zawsze ładować ją przed wyczerpaniem.

Podczas jazdy, składowania lub ładowania nie należy przekraczać określonego limitu temperatury (patrz specyfikacje). Nieprzestrzeganie instrukcji dotyczących użytkowania, składowania lub ładowania może spowodować uszkodzenie baterii, brak możliwości jej ładowania oraz utratę gwarancji.

Czas czuwania w pełni naładowanej hulajnogę wynosi w przybliżeniu 120-180 dni. Jeśli nie jest ona używana przez dłuższy czas, należy ją ładować co 60 dni. Należy zwrócić uwagę na czas czuwania tak, aby zapobiec nieodwracalnemu uszkodzeniu baterii spowodowanemu brakiem ładowania.

OSTRZEŻENIE!

- Nie należy używać zestawów baterii innych modeli lub marek, ponieważ może to stanowić zagrożenie dla bezpieczeństwa.
- Aby uniknąć potencjalnych uszkodzeń lub pożaru, należy używać wyłącznie oryginalnej ładowarki.
- Jeśli bateria jest uszkodzona lub nasiąknięta wodą, nie należy jej ładować ani dalej używać.
- Nie demontować baterii. Wyjmowanie baterii jest skomplikowane, a niewłaściwa operacja może wpłynąć na działanie hulajnogę.

Przechowywanie

Jeśli hulajnoga nie będzie używana przez dłuższy czas, należy ją w pełni naładować, a następnie wyłączyć i przechowywać w chłodnym, suchym miejscu. Aby zapobiec uszkodzeniu baterii, należy ładować hulajnogę co najmniej raz na 2 miesiące. Należy upewnić się, że podczas transportu hulajnoga jest wyłączona i w miarę możliwości przechowywana w oryginalnym opakowaniu.

OSTRZEŻENIE!

- Nie należy pozostawiać hulajnogę na dłuższy czas w miejscach silnie nasłonecznionych lub o dużej wilgotności.
- Prosimy nie umieszczać hulajnogę w pobliżu materiałów łatwopalnych.
- Ten produkt zawiera wbudowaną baterię litową i może być transportowany tylko wtedy, gdy jest to dozwolone przez lokalne prawo i przepisy.

Instrukcje dotyczące ochrony środowiska

Hulajnoga zawiera zestaw akumulatorów litowo-jonowych, który można ponownie ładować, a jego niewłaściwe usuwanie może być szkodliwe dla środowiska. Aby zagwarantować prawidłową utylizację hulajnogi proszę wykonać poniższe czynności:

1. Przed wyjęciem baterii należy wyłączyć zasilanie i rozładować ją do pełna. Następnie rozłożyć podnóżek i odkręcić śruby mocujące między pedałem a ramą tak, aby otworzyć podnóżek.
2. Odłączyć złącze baterii, a następnie wyjąć baterie. Nie uszkadzać obudowy baterii, aby uniknąć ryzyka obrażeń. Nie należy używać baterii, jeśli jest uszkodzona, ma dziwny zapach, wydziela dym lub ulega przegrzaniu. Nieszczelną baterię należy trzymać z dala od innych przedmiotów.
3. Wyjęte baterie należy oddać do profesjonalnego punktu utylizacji.

Harmonogram konserwacji hulajnogi (zalecany):

Regularna konserwacja hulajnogi może pomóc utrzymać ją w czystości i dobrym stanie, uniknąć zagrożeń bezpieczeństwa, zminimalizować awarie, spowolnić proces niszczenia i wydłużyć jej żywotność.

Pozycja	Serwisowany przedmiot	Działania	Co miesiąc	Co 3 miesiące	Co 500 km/6 miesięcy	Co 1000 km/1 rok	Co 10000 km/3 lata
Opony	Zużycie bieżnika opony	Sprawdź, czy opona nie jest popękana, zdeformowana, zużyta itp.			√	√	√
Śruby	Śruby zespołu kierownicy	Dokręć śrubę łączącą zespół kierownicy z zespołem wspornika (z zalecanym momentem 3,0 ± 0,5 N-m).		√	√	√	√
		Dokręć śrubę akceleratora (z zalecanym momentem 1,6 ± 0,1 N-m).					
		Dokręć śrubę dźwigni hamulca (z zalecanym momentem 5,5 ± 0,5 N-m).				√	√

Pozycja	Serwisowany przedmiot	Działania	Co miesiąc	Co 3 miesiące	Co 500 km/6 miesięcy	Co 1000 km/1 rok	Co 10000 km/3 lata
Funkcje	Regulacja hamulca	Przed regulacją upewnij się, że hulajnoga jest wyłączona i nie jest ładowana. Narzędzie: klucz sześciokątny 5 mm (narzędzie musi być zapewnione przez użytkownika). Podczas regulacji pociągnij za koniec linki hamulcowej tak, aby linka była napięta. Uwagi: Jeśli hamulec jest zbyt ciasny, przy użyciu narzędzia obróć nakrętkę na pręcie ściągającym w lewą stronę, aby nieco skrócić widoczną dolną część przewodu hamulca. Jeśli jest zbyt luźny, przy użyciu narzędzia obróć nakrętkę na pręcie ściągającym w prawą stronę, aby nieco wydłużyć widoczną dolną część przewodu hamulca.			√	√	√
	Ładowanie	Naładuj hulajnogę w odpowiedniej temperaturze. Wskaźnik na ładowarce jest czerwony, gdy hulajnoga się ładuje i zmienia się na zielony, gdy jest ona w pełni naładowana. Podczas ładowania panel sterowania pokazywał będzie stan naładowania w czasie rzeczywistym.			√	√	√
	Kierownica	Obróć kierownicę o 60° w lewo i w prawo, aby upewnić się, że kąt skrętu jest prawidłowy, a układ kierowniczy jest wolny od oporów i zastojów.				√	√
Ważne elementy	Montaż akumulatora	Przed odstawieniem hulajnogi na dłuższy czas naładuj ją do pełna, a co 60 dni włączaj ją w celu naładowania.					√

Koła, klocki hamulcowe i inne wrażliwe części mogą ulec zużyciu lub uszkodzeniu, skontaktuj się z serwisem posprzedażnym w odpowiednim momencie.

Aby znaleźć wykwalifikowany warsztat serwisowy, skontaktuj się z nami za pośrednictwem service@navee.tech / www.naveetech.com.

4. Dane techniczne

Produkt	Nazwa	NAVEE Electric Scooter		
	Model	EasyRide 20-E	EasyRide 20-D	EasyRide 20-S
Wymiary	Pojazd: Dł. x szer. x wys. (mm) ^[1]	1086 x 463 x 1099		
	Po złożeniu: Dł. x szer. x wys. (mm)	1086 x 461 x 473		
Masa netto	Masa netto pojazdu (kg)	14,0		
Użytkownik	Zakres obciążenia (kg)	25-90		
	Wiek (w latach)	16 - 50		
Zmontowana hulajnoga elektryczna	Wzrost użytkownika (cm)	120 - 200		
	Prędkość maks. (km/h)	25	20	20
	Typowy zasięg (km) ^[2]	ok. 20		
	Maks. kąt podjazdu (%)	ok. 14		
	Zalecane nawierzchnie	Drogi cementowe lub asfaltowe z nierównościami mniejszymi niż 1 cm lub pęknięciami węższymi niż 3 cm		
	Temperatura użytkowania (°C)	-10 to 40		
	Temperatura przechowywania (°C)	-20 to 45		
	Stopień ochrony IP	IPX5		
	Czas ładowania (godz.)	ok. 6		
	Akumulator	Model	T2417-B63A	
Napięcie znamionowe (VDC)		21,6		
Maks. napięcie ładowania (VDC)		25,2		
Energia nominalna (Wh)		165,24		
Inteligentny system zarządzania akumulatorem		Zabezpieczenie przed przegrzaniem, zwarciem, prądem przetężeniowym, nadmiernym rozładowaniem i przeladowaniem		
Normalny zakres temperatur ładowania (°C)		0 to 40		
Pojemność nominalna (Ah)		7,65		
Silnik napędzający koło	Moc nominalna (kW; W)	0,3; 300	0,3; 300	0,25; 250
	Model ^[3]	FY0422521500E		
Ładowarka do akumulatora	Moc wyjściowa (kW; W)	0,0378; 37,8		
	Wejście	100-240 V~ 50/60 Hz		
	Znamionowa moc wyjściowa (VDC; A)	25,2; 1,5		
Opona	Przednie i tylne opony	Bezobsługowe wewnętrzne opony drażone		
Bluetooth	Pasma częstotliwości (s)	2,4000 - 2,4835 GHz		
	Moc maks. RF (dBm)	8		

[1] Wysokość pojazdu: od podłoża do najwyższego punktu hulajnogi.

[2] Typowy zasięg: mierzony w warunkach bezwietrznych przy temperaturze 25°C, przy założeniu, że hulajnoga jest w pełni naładowana i porusza się z prędkością 15 km/h po płaskiej nawierzchni z obciążeniem 75 kg.

[3] Do ładowania akumulatora należy używać wyłącznie zasilacza dołączonego do opakowania. Parametry ładowarki akumulatora można znaleźć w danych technicznych.

5. Certyfikaty

Dyrektywa w sprawie ograniczenia stosowania substancji niebezpiecznych (RoHS)

Produkt SPACEWALKER PTE. LTD. wraz z częściami (kable, przewody itp.) spełnia wymagania normy 2011/65/UE, aneks II, w sprawie ograniczenia wykorzystania niektórych substancji niebezpiecznych w urządzeniach elektrycznych i elektronicznych oraz poprawki w postaci dyrektywy (UE) 2015/863.

Deklaracja zgodności UE



Niniejsze urządzenie spełnia wymogi UE dotyczące ograniczenia ekspozycji ogółu społeczeństwa na pola elektromagnetyczne w celu ochrony zdrowia. Niniejszym firma SPACEWALKER PTE. LTD. oświadcza, że urządzenie radiowe typu [EasyRide 20-E], [EasyRide 20-D] i [EasyRide 20-S] jest zgodne z dyrektywą 2014/53/UE i 2006/42/KE. Pełny tekst deklaracji zgodności UE jest dostępny na następującej stronie internetowej: www.naveetech.com

Deklaracja zgodności UE

Informacje na temat recyklingu akumulatorów w Unii Europejskiej



Akumulatory i opakowania akumulatorów są oznakowane zgodnie z dyrektywą europejską 2006/66/WE oraz poprawką 2013/56/UE, dotyczącymi baterii i akumulatorów oraz zużytych baterii i akumulatorów. Dyrektywa ta określa ramy prawne dotyczące zwrotu i recyklingu zużytych baterii i akumulatorów, obowiązujące w całej Unii Europejskiej. Etykieta ta jest umieszczana na różnych bateriach/akumulatorach w celu wskazania, że zgodnie z niniejszą dyrektywą po zakończeniu eksploatacji nie powinny być wyrzucane, tylko przekazywane do odpowiedniego punktu.

Zgodnie z dyrektywą europejską 2006/66/WE oraz poprawką 2013/56/UE baterie i akumulatory są oznakowane etykietami w celu wskazania, że powinny być zbierane oddzielnie i poddawane recyklingowi po zakończeniu eksploatacji. Etykieta na baterii/akumulatorze może również zawierać symbol chemiczny użytego metalu (Pb — ołów, Hg — rtęć i Cd — kadm). Użytkownicy baterii i akumulatorów nie mogą ich wyrzucać razem z niesortowanymi odpadami komunalnymi. Są zobowiązani do korzystania ze specjalnych punktów zbiórki baterii i akumulatorów, przeznaczonych dla klientów (dotyczy to zwrotu, recyklingu i utylizacji). Takie postępowanie pozwala zmniejszyć negatywny wpływ baterii i akumulatorów na środowisko oraz zdrowie ludzi w związku z potencjalną obecnością substancji niebezpiecznych.

Przed przekazaniem sprzętu elektrycznego i elektronicznego (EEE) do zbiórki lub punktu zbierania odpadów końcowy użytkownik sprzętu zawierającego baterie i/lub akumulatory musi usunąć te baterie i akumulatory i oddać je do odpowiedniego punktu zbiórki.

Dyrektywa w sprawie zużytego sprzętu elektrycznego i elektronicznego (WEEE)



Wszystkie produkty oznaczone tym symbolem są uznane za odpady sprzętu elektrycznego i elektronicznego (WEEE zgodnie z Dyrektywą 2012/19/UE) i nie mogą być wyrzucane po zakończeniu okresu użytkowania wraz z innymi odpadami. W celu ochrony zdrowia ludzi oraz środowiska naturalnego należy przekazać zużyty sprzęt do wyznaczonego punktu utylizacji wyznaczonego przez instytucje rządowe lub lokalne.

Prawidłowe usunięcie zużytego produktu pomaga w zapobieganiu potencjalnym negatywnym skutkom oddziaływania na środowisko naturalne i zdrowie ludzi. Więcej informacji można uzyskać w urzędzie lokalnym lub od instalatora.

Ostrzeżenie dotyczące bezpieczeństwa



Zagrożenie!
Przed użyciem przeczytać instrukcję obsługi.



OSTRZEŻENIE!
Przeczytać uważnie i zachować na przyszłość.



UWAGA
Gorąca powierzchnia



Nie wystawiać na działanie wilgoci



Światła



Zasilacz impulsowy wyposażony w izolowany transformator z zabezpieczeniem przeciwzwarciowym



Zasilacz impulsowy



Miniaturowa wkładka bezpiecznikowa z opóźnieniem czasowym, gdzie X jest symbolem charakterystyki czasowo-prądowej zgodnie z normą IEC 60127



OSTRZEŻENIE!
Tylko do użytku wewnętrznego (dla ładowarki).



OSTRZEŻENIE
Urządzenie klasy II



UWAGA
Ostre krawędzie



≤5000m

Ładowarka przeznaczona jest do użytku na wysokościach nieprzekraczających 5000 m.



Kierunkowskazy



Prąd stały



Prąd przemienny



Biegunowość wyjścia ładowarki, środek dodatni

Ładowarka do akumulatora

OSTRZEŻENIE

- Ładowarka jest przeznaczona wyłącznie do użytku w pomieszczeniach. Nie wolno jej narażać na działanie deszczu lub śniegu.
- Nie wolno używać baterii bez możliwości ładowania, ponieważ mogą się one przegrzać i uszkodzić.
- Niewłaściwe użycie akumulatorów innego typu może spowodować ich wybuch, a w konsekwencji obrażenia ciała i szkody na mieniu.
- Nie wolno spalać, demontować ani zwracać akumulatorów.
- Znaczny spadek wydajności akumulatora oznacza, że należy go wymienić.
- Nieużywana ładowarkę należy przechowywać w chłodnym i suchym miejscu.
- Przed wykonaniem lub przerwaniem połączeń z akumulatorem należy odłączyć zasilanie.
- Gazy wybuchowe. Należy zapobiegać powstawaniu płomieni i iskier. Podczas ładowania należy zapewnić odpowiednią wentylację.
- Podczas ładowania akumulator musi być umieszczony w dobrze wentylowanym pomieszczeniu.
- Urządzenia elektryczne należy przechowywać w miejscu niedostępnym dla dzieci i osób o ograniczonych możliwościach umysłowych. Nie należy umożliwiać im korzystania z produktu bez nadzoru.
- To urządzenie nie jest przeznaczone do użytku przez osoby (w tym dzieci) o ograniczonych zdolnościach fizycznych, sensorycznych lub umysłowych, lub nieposiadające doświadczenia i wiedzy, chyba że są one nadzorowane lub zostały poinstruowane w zakresie korzystania z urządzenia przez osobę odpowiedzialną za ich bezpieczeństwo.
- To urządzenie może być używane przez dzieci w wieku od 8 lat i starsze oraz osoby o ograniczonych zdolnościach fizycznych, sensorycznych lub umysłowych lub osoby nieposiadające doświadczenia i wiedzy, jeśli są one nadzorowane lub zostały poinstruowane w zakresie bezpiecznego korzystania z urządzenia i rozumieją związane z tym zagrożenia. Dzieciom nie wolno bawić się urządzeniem. Czyszczenie i konserwacja nie mogą być wykonywane przez dzieci bez nadzoru.
- Zewnętrzny elastyczny przewód lub przewód tego transformatora nie może zostać wymieniony; jeśli przewód ulegnie uszkodzeniu, transformator należy zełomować.
- Jeśli przewód zasilający ulegnie uszkodzeniu, należy go wymienić na specjalny przewód lub zespół dostępny u producenta lub jego przedstawiciela serwisowego.

Instrukcja ładowania

- Połącz ładowarkę bezpośrednio do źródła zasilania. Nie wolno używać przedłużaczy.
- Ładowarka może być używana wyłącznie do ładowania akumulatorów litowo-jonowych.
- Należy unikać odwrotnego ładowania.
- Ładowarki nie są przeznaczone do ładowania akumulatorów samochodowych.

 odłączana część zasilacza

Akumulator

OSTRZEŻENIE

1. Nie wolno demontować, otwierać ani rozdrabniać ogniw akumulatorowych ani akumulatorów.
2. Akumulatory należy przechowywać w miejscu niedostępnym dla dzieci. Korzystanie z akumulatorów przez dzieci powinno odbywać się pod nadzorem. W szczególności należy przechowywać małe baterie w miejscu niedostępnym dla małych dzieci.
3. W przypadku poknięcia ognia lub baterii należy natychmiast zasięgnąć porady lekarza.
4. Nie wolno narażać ognia ani baterii na działanie ciepła lub ognia. Unikać przechowywania w miejscu narażonym na bezpośrednie działanie promieni słonecznych.
5. Nie wolno zwierać ognia ani akumulatorów. Nie należy przechowywać ognia lub baterii w sposób nieuporządkowany w pudełku lub szufladzie, gdzie mogą spowodować zwarcie lub zostać zwarte przez inne metalowe przedmioty.
6. Nie należy wyjmować ognia ani baterii z oryginalnego opakowania, dopóki nie będą potrzebne.
7. Nie należy narażać ognia ani baterii na wstrząsy mechaniczne.
8. W przypadku wycieku płynu z ognia nie dopuścić do kontaktu płynu ze skórą lub oczami. Jeśli dojdzie do kontaktu, przemyć dotknięte miejsce dużą ilością wody i zasięgnąć porady lekarza.
9. Nie należy używać ładowarki innej niż ta, która została dostarczona wraz z urządzeniem.
10. Należy przestrzegać oznaczeń plus (+) i minus (-) na ogniwie, akumulatorze i sprężce oraz zapewnić prawidłowe użytkowanie.
11. Nie należy używać ognia ani baterii, które nie są przeznaczone do użytku z tym urządzeniem.
12. Nie należy równocześnie umieszczać w urządzeniu ognia różnych producentów, o różnej pojemności, rozmiarze lub typie.
13. Należy zawsze kupować baterie zalecane przez producenta urządzenia.
14. Ogniwa i baterie należy utrzymywać w stanie czystym i suchym.
15. W przypadku zabrudzenia ognia lub zaciski akumulatora należy przetrzeć czystą, suchą ściereczką.
16. Ogniwa akumulatorowe i akumulatory należy naładować przed użyciem. Zawsze używaj odpowiedniej ładowarki i zapoznaj się z instrukcjami producenta lub instrukcją obsługi sprzętu, aby uzyskać prawidłowe instrukcje ładowania.
17. Nie należy pozostawiać akumulatora przez dłuższy czas w ładowarce, gdy nie jest używany.
18. Po dłuższym okresie przechowywania może być konieczne kilkukrotne naładowanie i rozładowanie ognia lub akumulatorów w celu uzyskania maksymalnej wydajności.
19. Zachowaj oryginalną literaturę produktu do wykorzystania w przyszłości.
20. Ogień lub baterii należy używać wyłącznie w zastosowaniach, do których zostały przeznaczone.
21. Jeśli to możliwe, należy wyjmować akumulator z urządzenia, gdy nie jest ono używane.
22. Dokonywać prawidłowej utylizacji.

- * The illustrations in this manual are for reference only, the actual appearance shall be subject to actual product.
- * Les illustrations de ce manuel sont fournies à titre de référence uniquement, le produit reçu fait foi.
- * Die Abbildungen in diesem Handbuch dienen nur als Referenz, das tatsächliche Aussehen ist abhängig vom jeweiligen Produkt.
- * As ilustrações neste manual são apenas para referência, a aparência real deve ser sujeita ao produto real.
- * Ilustracje w niniejszej instrukcji mają charakter poglądowy, a ich rzeczywisty wygląd zależy od konkretnego produktu.



EU	REP	ENIF PEGASUS S.R.L. Str. RADOVANU, Nr. 7, Bloc 42, Scara 1, Etaj 5, Apartament 29, 22882 Bucuresti Sectorul 2, Romania dragutgss@gmail.com	UK	REP	ERMENEGILDO SMART LIMITED 6 PROSPECT WAY ROYAL OAK INDUSTRIAL ESTATE DAVENTRY NORTHAMPTONSHIRE UNITED KINGDOM NN11 8PL marinocormack@outlook.com
----	-----	--	----	-----	---

For more information & after-sales support, contact us via service@navee.tech/www.naveetech.com
 Manufactured by: SPACEWALKER PTE. LTD.
 Address: 60 PAYA LEBAR ROAD #07-54 PAYA LEBAR SQUARE SINGAPORE (409051)
 E-mail: service@navee.tech
 Made in China

Original instructions
4015050000685-5E