

iQ300, free-standing freezer, 186.2 x 59.5 cm, Brushed steel anti-fingerprint GS36NVIDG



The freestanding freezer with Total noFrost for no more manual defrosting, startling capacity to effortlessly stock items and LED lighting to find items easily.

- ✓ Side by side combination: Seamless design, expanded space, and modern style.
- ✓ bigCapacity: Generous storage space, making meal prep and organization a breeze.
- ✓ doorAlarm: Reminds you to close the door and keep the cold inside.
- ✓ Metal backwall: The perfect combination of elegance and functionality for your kitchen.
- ✓ Noise Class B: The quiet appliances are not louder than rustling leaves.

Features

Technical Data

Energy Efficiency Class (Regulation (EU) 2017/1369): D
 Average annual energy consumption in kilowatt hour per year (kWh/a) (EU) 2017/1369: 214 kWh/annum
 Sum of volume of frozen compartments (EU 2017/1369): 334 l
 Airborne acoustical noise emissions (EU 2017/1369): ... 35 dB(A) re 1pW
 Airborne acoustical noise emission class (EU 2017/1369): B
 Built-in / Free-standing: Free-standing
 Frost free system: Fridge and freezer
 Width of the appliance: 595 mm
 Depth of the product: 663 mm
 Dimensions of the packed product (HxWxD): 1940x665x790 mm
 Warning signal / malfunction: Both visual and audible
 Cover door installation system: Not applicable
 Number of drawers/baskets (Stck): 4
 Number of freezing flaps (Stck): 0
 Lockable door: No
 Thermometer freeze section: Not applicable
 Length electrical supply cord: 240 cm
 Door hinge: Right reversible
 Net weight: 64.2 kg
 Gross weight: 70.4 kg
 Multi-Flow Air Tower: No
 Economy setting: Yes
 : Yes
 Door bin adjustability - Freezer: No
 Tilt-out door bins in freezer: No
 Door bin adjustability - Freezer: No
 Reversible Door Hinge: Yes
 Frequency: 50 Hz
 Installation typology: Freestanding
 Energy Star Qualified: No
 Plug type: Gardy plug w/ earthing
 Required cutout/niche size for installation (in): x
 Dimensions of the packed product: 76.37 x 26.18 x 31.10
 Net weight: 141.000 lbs
 Gross weight: 155.000 lbs
 Included accessories: 1 x ice cube tray

Included accessories	
1 x ice cube tray	
Optional accessories	
KS39ZAL00	Connection set inox



iQ300, free-standing freezer, 186.2 x 59.5 cm, Brushed steel anti-fingerprint GS36NVIDG

Features

Performance and consumption

- Energy Class EU19_EEK_D: D
- Annual Energy Consumption: EU19_Annual energy cons rd_D: 214 kWh/a
- Climate class: EU19_Climate class_D: SN-T
- Fast freeze facility: yes
- Noise level: EU19_Noise emission_D: 35 dB

Design

- door external material: inox look premium
- casing color: pearl grey matt
- light, softstart GS
- light freezer,top
- material backwall in freezer: Metal

Comfort and Safety

- Home Connect Ecosystem
- full no frost
- MultiAirflow
- flex door
- mode, sabbath: yes
- mode, economy: yes
- number of temperatur zones: 1
- display type: 7 Segment
- door alarm freezer
- mode, super freeze: manual activating
- 90°door opening drawer removal
- side-by-side capable : can be placed alongside

Freezer Section

- Net Freezer Volume:
- EU19_Frozen volume_D: 334 l
- Freezing capacity 24h: EU19_Freezing capa. in 24h_D: 15.5 kg
- Temperature rise time : 12 H
- drawer FR,small,full,no.: 4
- Big Box: 1
- glass shelf RF,full,no.: 3

Dimensions

- Appliance Dimensions (H x W x D): 1862 mm x 595 mm x 663 mm

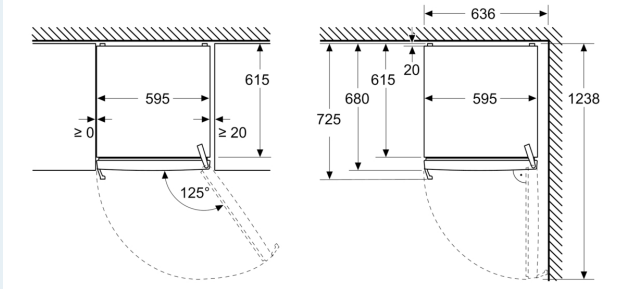
Technical Information

- nominal voltage min: 220 V - nominal voltage max: 240 V
- length of mains cable in mm: 2400 mm

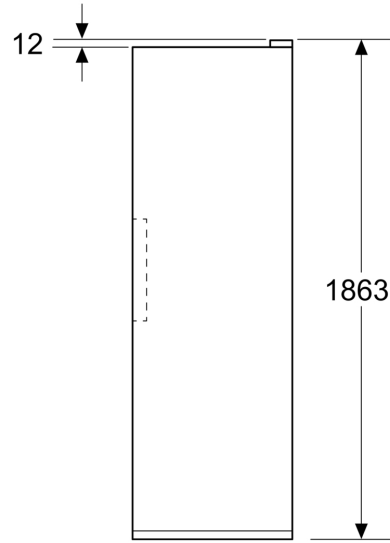
**iQ300, free-standing freezer,
186.2 x 59.5 cm, Brushed steel
anti-fingerprint
GS36NVIDG**

Dimensioned drawings

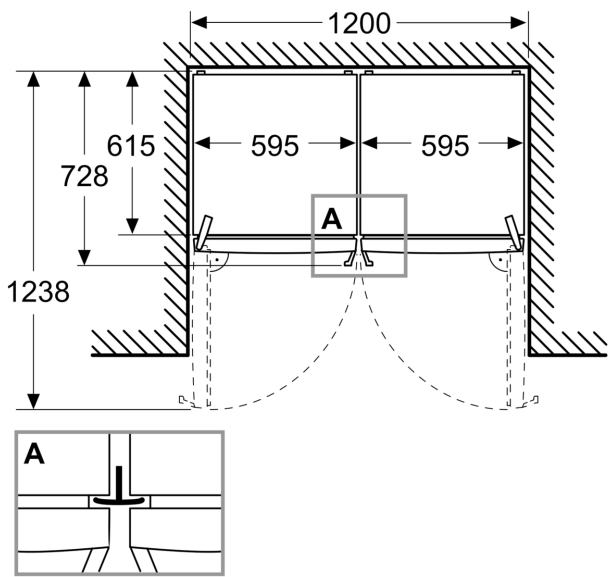
Measurements in mm



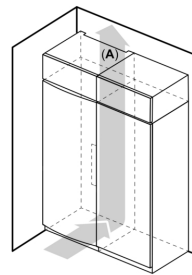
Measurements in mm



Measurements in mm



A: Air outlet $\geq 200 \text{ cm}^2$



B: Air outlet $\geq 200 \text{ cm}^2$

